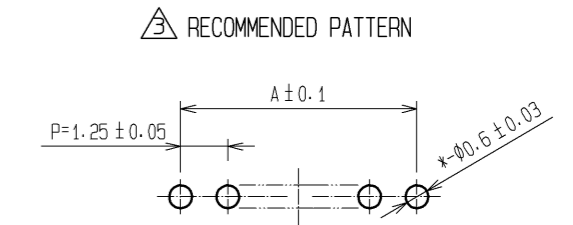
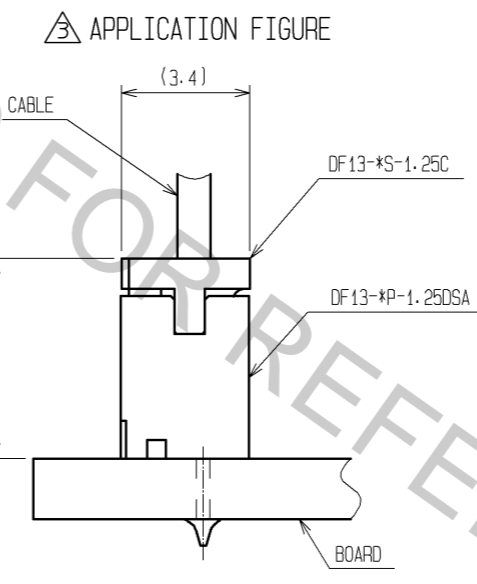


| PART No. | CODE No. | NUMBER OF CONTACTS | A | B | C |
|------------------|--------------|--------------------|-------|-------|-------|
| DF13- 2P-1.25DSA | CL536-0101-9 | 2 | 1.25 | 3.15 | 4.15 |
| DF13- 3P-1.25DSA | CL536-0102-1 | 3 | 2.5 | 4.4 | 5.4 |
| DF13- 4P-1.25DSA | CL536-0103-4 | 4 | 3.75 | 5.65 | 6.65 |
| DF13- 5P-1.25DSA | CL536-0104-7 | 5 | 5 | 6.9 | 7.9 |
| DF13- 6P-1.25DSA | CL536-0105-0 | 6 | 6.25 | 8.15 | 9.15 |
| DF13- 7P-1.25DSA | CL536-0106-2 | 7 | 7.5 | 9.4 | 10.4 |
| DF13- 8P-1.25DSA | CL536-0107-5 | 8 | 8.75 | 10.65 | 11.65 |
| DF13- 9P-1.25DSA | CL536-0108-8 | 9 | 10 | 11.9 | 12.9 |
| DF13-10P-1.25DSA | CL536-0109-0 | 10 | 11.25 | 13.15 | 14.15 |
| DF13-11P-1.25DSA | CL536-0110-0 | 11 | 12.5 | 14.4 | 15.4 |
| DF13-12P-1.25DSA | CL536-0111-2 | 12 | 13.75 | 15.65 | 16.65 |
| DF13-13P-1.25DSA | CL536-0112-5 | 13 | 15 | 16.9 | 17.9 |
| DF13-14P-1.25DSA | CL536-0113-8 | 14 | 16.25 | 18.15 | 19.15 |
| DF13-15P-1.25DSA | CL536-0114-0 | 15 | 17.5 | 19.4 | 20.4 |



1 WHEN THIS CONNECTOR HAS TWO OR THREE CONTACTS, THE LOCK OF CONNECTOR SHALL BE SET AT THE CENTER OF HOUSING. IN CASE THAT THE NUMBER OF CONTACTS IS MORE THAN FOUR, THE TWO LOCKS SHALL BE SET IN ACCORDANCE WITH THE DRAWINGS.

3 ARTICLE DELETED

| | | | | | |
|-------------------------|-----------|---------------------------|------------|--|---|
| 1 | POLYAMIDE | BEIGE (NATURAL) · UL94V-0 | 2 | BRASS 3 | SURFACE: TIN PLATED 1μm min UNDER PLATING: COPPER PLATED 1μm min |
| NO. | MATERIAL | FINISH . REMARKS | NO. | MATERIAL | FINISH . REMARKS |
| UNITS mm | | SCALE 5 : 1 | COUNT 4 | DESCRIPTION OF REVISIONS DIS-H-006947 | DESIGNED MI. SAKIMURA |
| APPROVED : KJ. KATAYOSE | | 05.01.05 | | DRAWING NO. EDC3-083673-01 | |
| CHECKED : TY. OMA | | 05.01.05 | | PART NO. DF13-*P-1.25DSA | |
| DESIGNED : TS. KUMAZAWA | | 05.01.05 | | CODE NO. | |
| DRAWN : TS. KUMAZAWA | | 05.01.05 | | DATE 12.06.14 | |
| | | HIROSE ELECTRIC CO., LTD. | | CHECKED HK. UMEHARA | |