

LOC	DIST	REVISIONS					
A	00	P	LTR	DESCRIPTION	DATE	DWN	APVD
			F	ECR-13-015279	29SEP2013	KH	UG


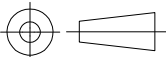
SEE CUSTOMER ACCESSIBLE  
 PRODUCTION DRAWING  
 1385636

RELEASED FOR PUBLICATION

ALL RIGHTS RESERVED.

THIS DRAWING IS UNPUBLISHED.

© COPYRIGHT - By -

DIMENSIONS: INCHES	DWN	M.YOUNGER	23SEP2013	MATERIAL	-	FINISH	-				
	CHK	G. BAILEY	23SEPT2013	 TE Connectivity							
TOLERANCES UNLESS OTHERWISE SPECIFIED:	APVD	G. BAILEY	23SEP2013								
0 PLC ± -	PRODUCT SPEC			NAME							
1 PLC ± -	-			SIDE FEED HDM APPLICATOR							
2 PLC ± -	APPLICATION SPEC			-							
3 PLC ± -	-			SIZE	CAGE CODE	DRAWING NO	RESTRICTED TO				
4 PLC ± -	-			A4	00779	C-1385636	-				
ANGLES ± -	WEIGHT			-							
				CUSTOMER DRAWING		SCALE	1:1	SHEET	1 OF 1	REV	F