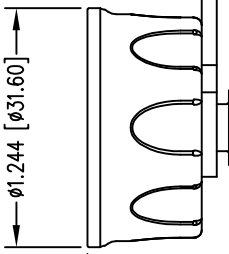
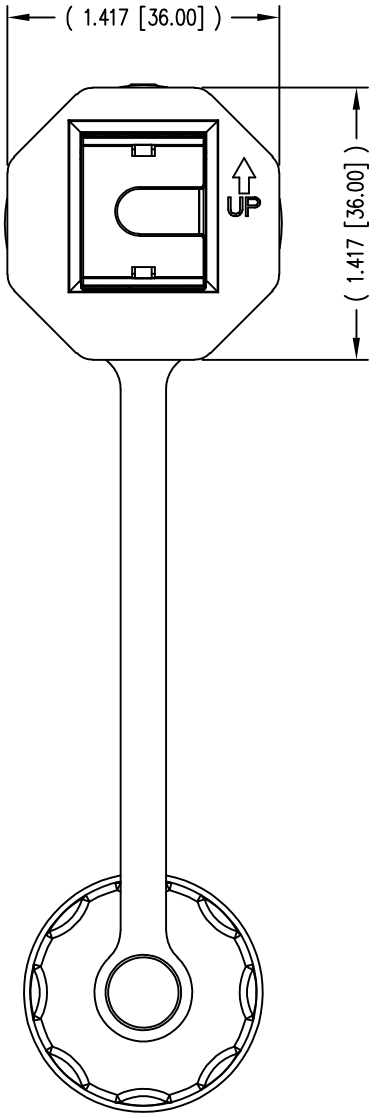
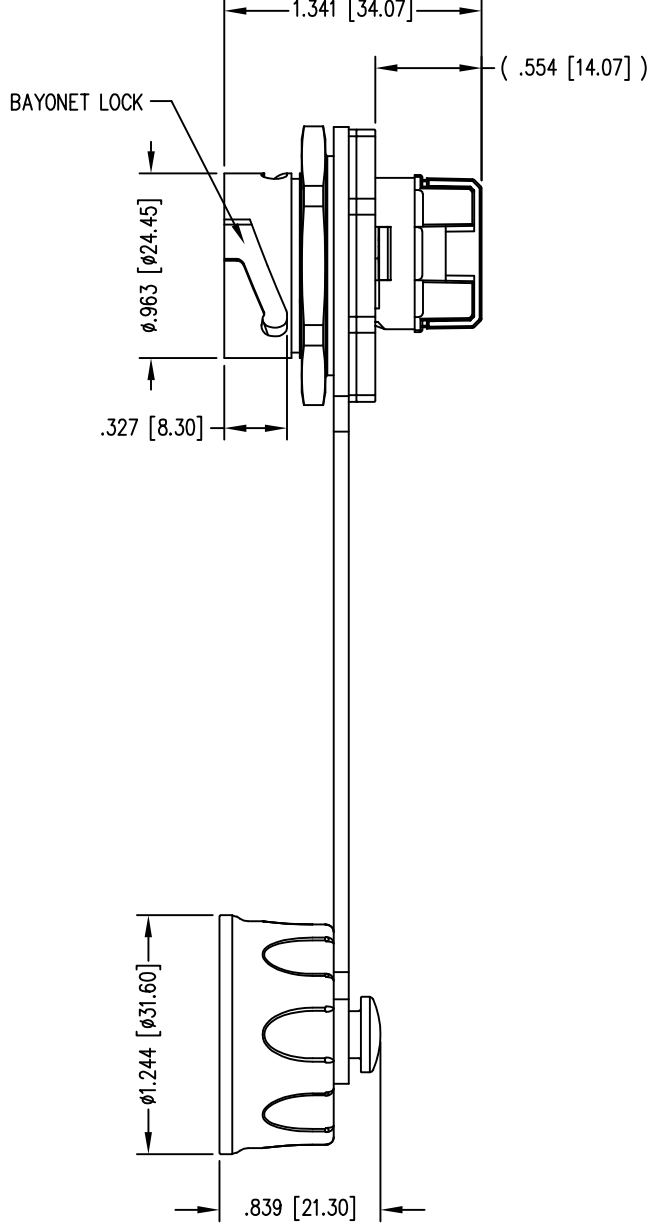
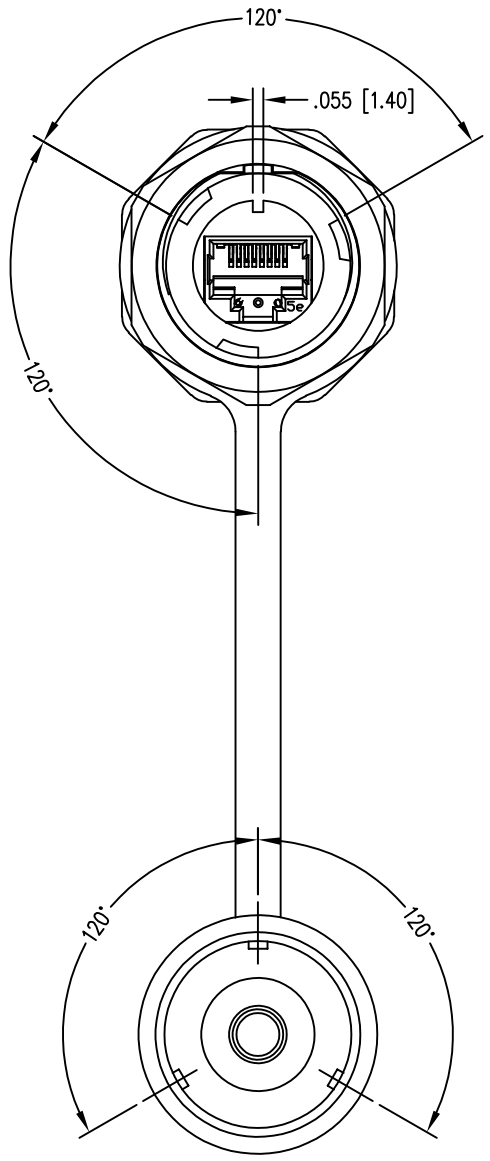
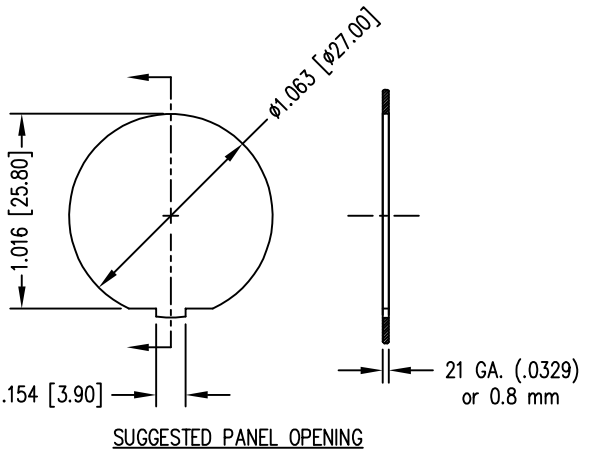
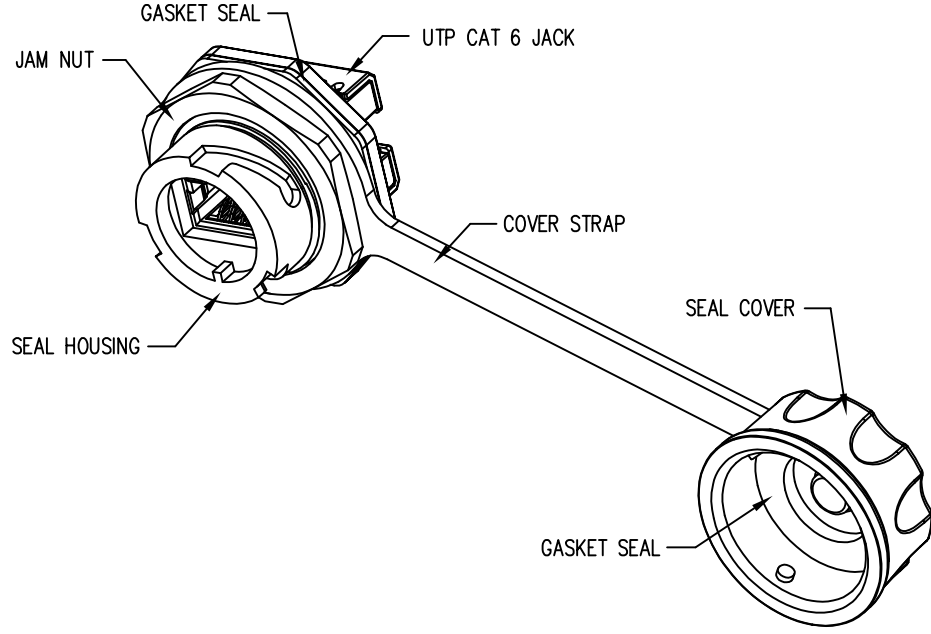


DATE	REV	ECN	APP'D. BY
10-27-16	A0	-	-



- NOTES:
- CONNECTOR MATERIALS:
HOUSING: THERMOPLASTIC UL94 V-0
JACK: THERMOPLASTIC UL94 V-0
CONTACTS/IDC TERMINAL: COPPER ALLOY, TIN PLATED
CONTACT PLATING: SELECTIVE GOLD OR EQUIVALENT IN THE CONTACT AREA
SEE CHART FOR PART NUMBER
 - IDC WIRE GAUGE: 22~24 AWG
 - JACK DIMENSIONS AND TOLERANCES COMPLY WITH TIA-1096 STANDARD.
 - DESIGNED FOR CATEGORY 6 APPLICATIONS.
 - INTERNATIONAL PROTECTION CODE MEETS IP67.



50 MICRO-INCHES [1.27um]	SS-60400-016
CONTACT PLATING IN MATING AREA	PART NUMBER

THIRD ANGLE PROJECTION	
DO NOT SCALE DRAWING DRAWING IS SUBJECT TO CHANGE WITHOUT NOTICE	
DIMENSIONS: INCHES [METRIC]	
UNLESS OTHERWISE SPECIFIED TOLERANCES ARE ±.005 [0.13] ANGLES ARE ± 1°	
SHEET NO. 1 OF 1	



1118 Susquehanna Trail South
Glen Rock, PA 17327-9199
(717) 235-7512
<http://www.stewartconnector.com>

TITLE: INDUSTRIAL JACK IP67 (UTP) CAT 6 WITH PLASTIC HOUSING			
DRN BY: TRM	DATE: 10-17-16		
APPD BY: DHG	DATE: 10-27-16		
DWG NO. CT600168	REV. A0		