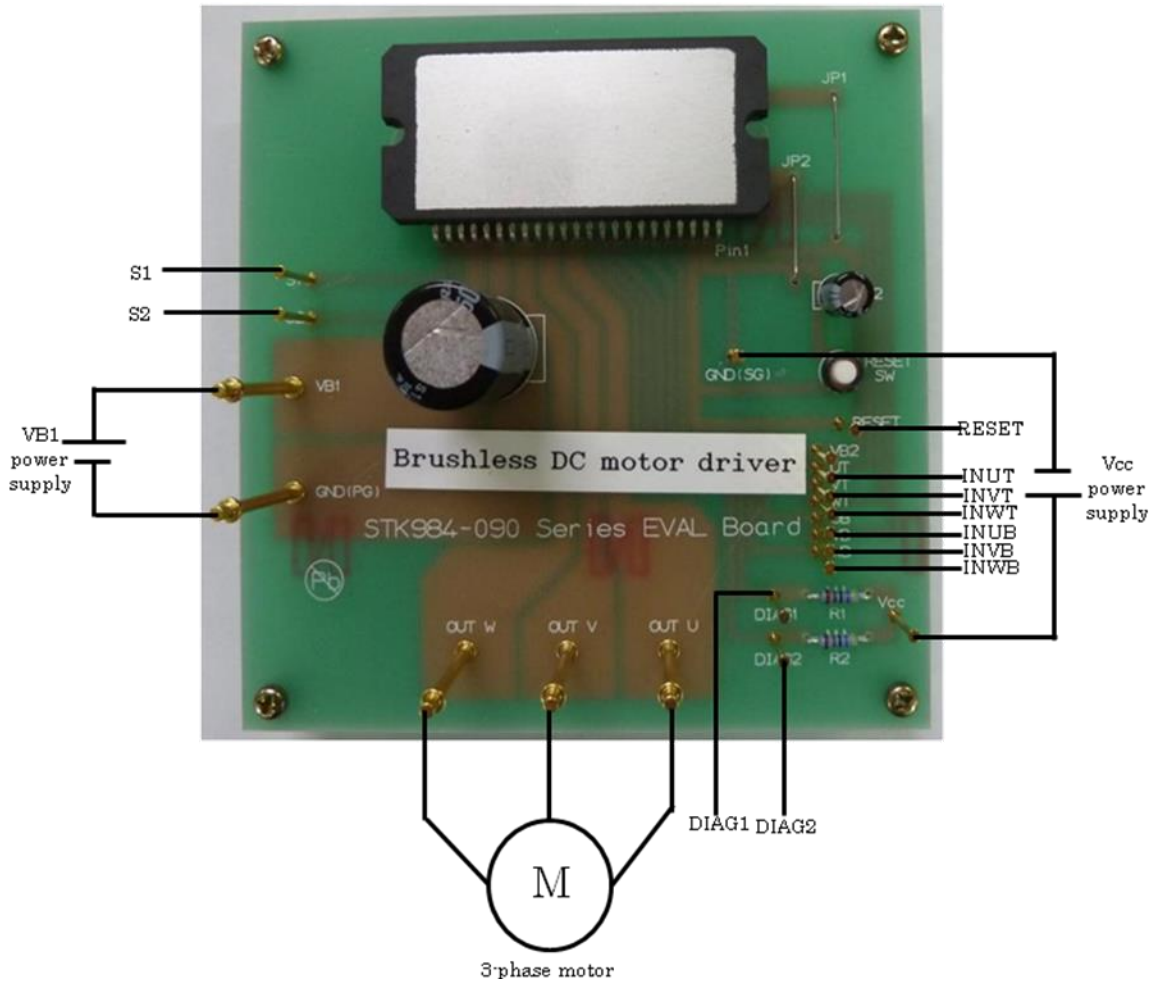


Test Procedure for the STK984-090AGEVB Evaluation Board



[Supply Voltage]

VB1 (8 to 18V): Power Supply for 3-phase motor & Driver IC
 Vcc (5V): Pull up Power Supply for DIAG1, DIAG2

[Operation Guide]

1. Motor Connection:
 Connect the motor to OUT U and OUT V and OUT W.
2. Power Supply:
 At first, supply DC voltage to VB.
 Next, supply DC voltage to Vcc.
3. Motor Operation