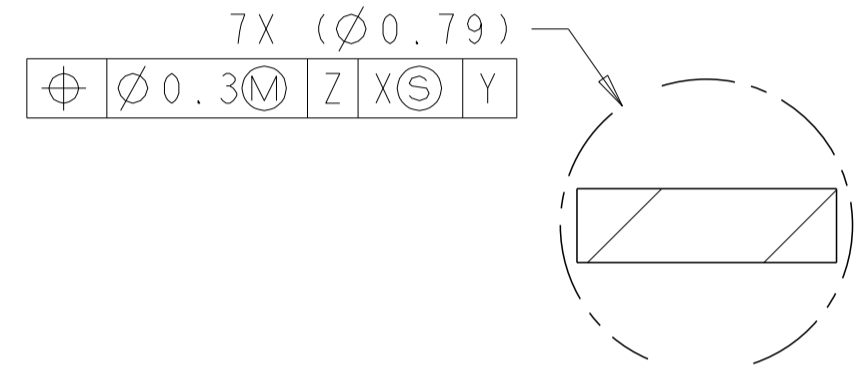
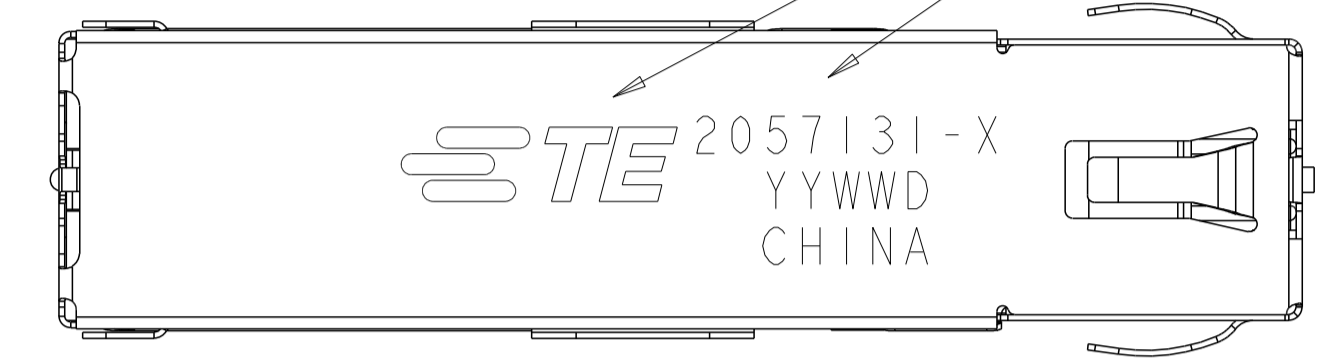
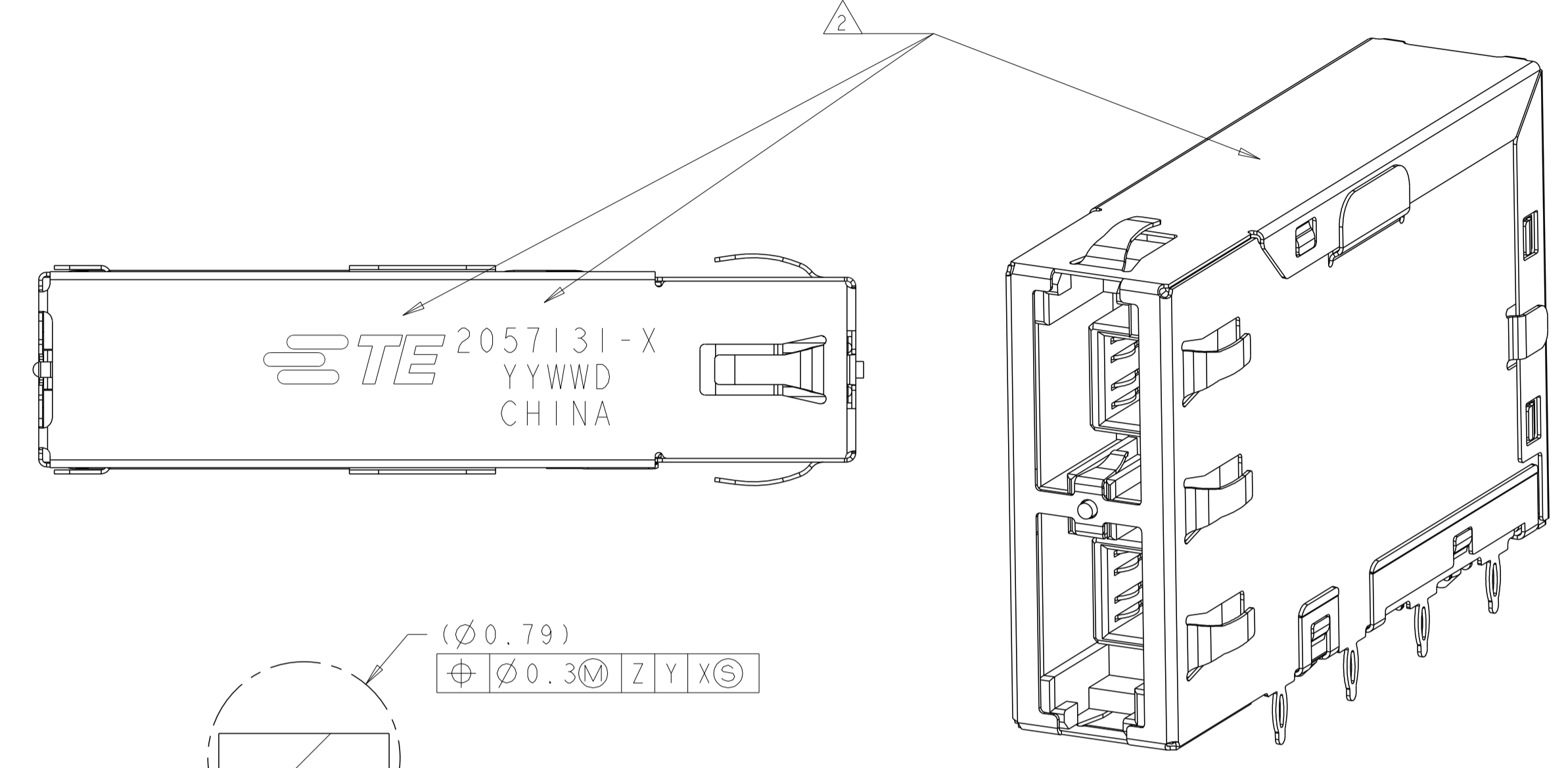
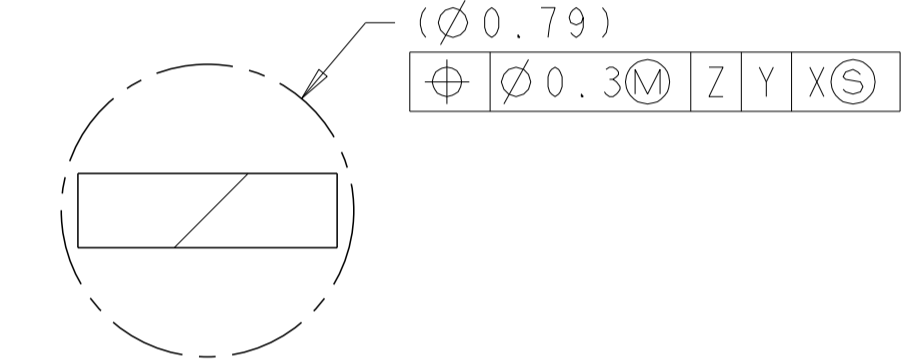


LOC		DIST		REVISIONS			
P	LTR	DESCRIPTION	DATE	OWN	APVD		
12		SEE FINAL SHEET	05JUL2011	GZ	KZ		
A		ECO-11-021810	14OCT2011	GZ	KZ		

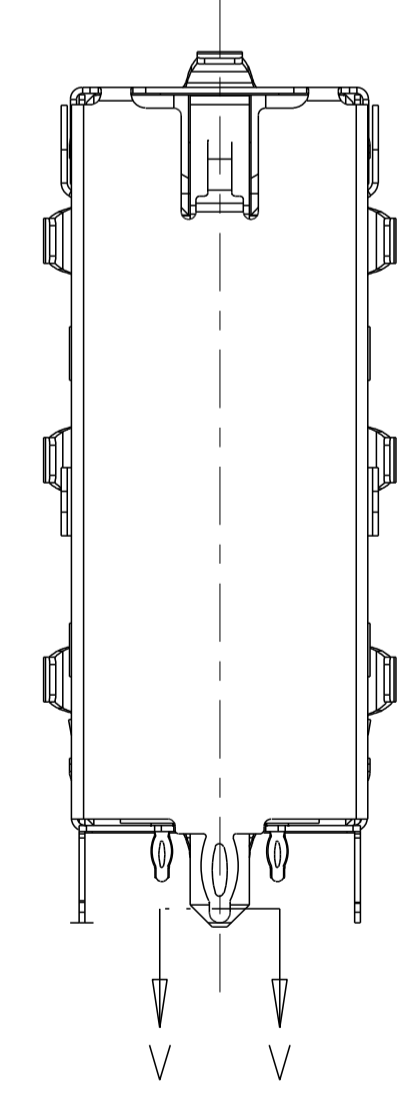
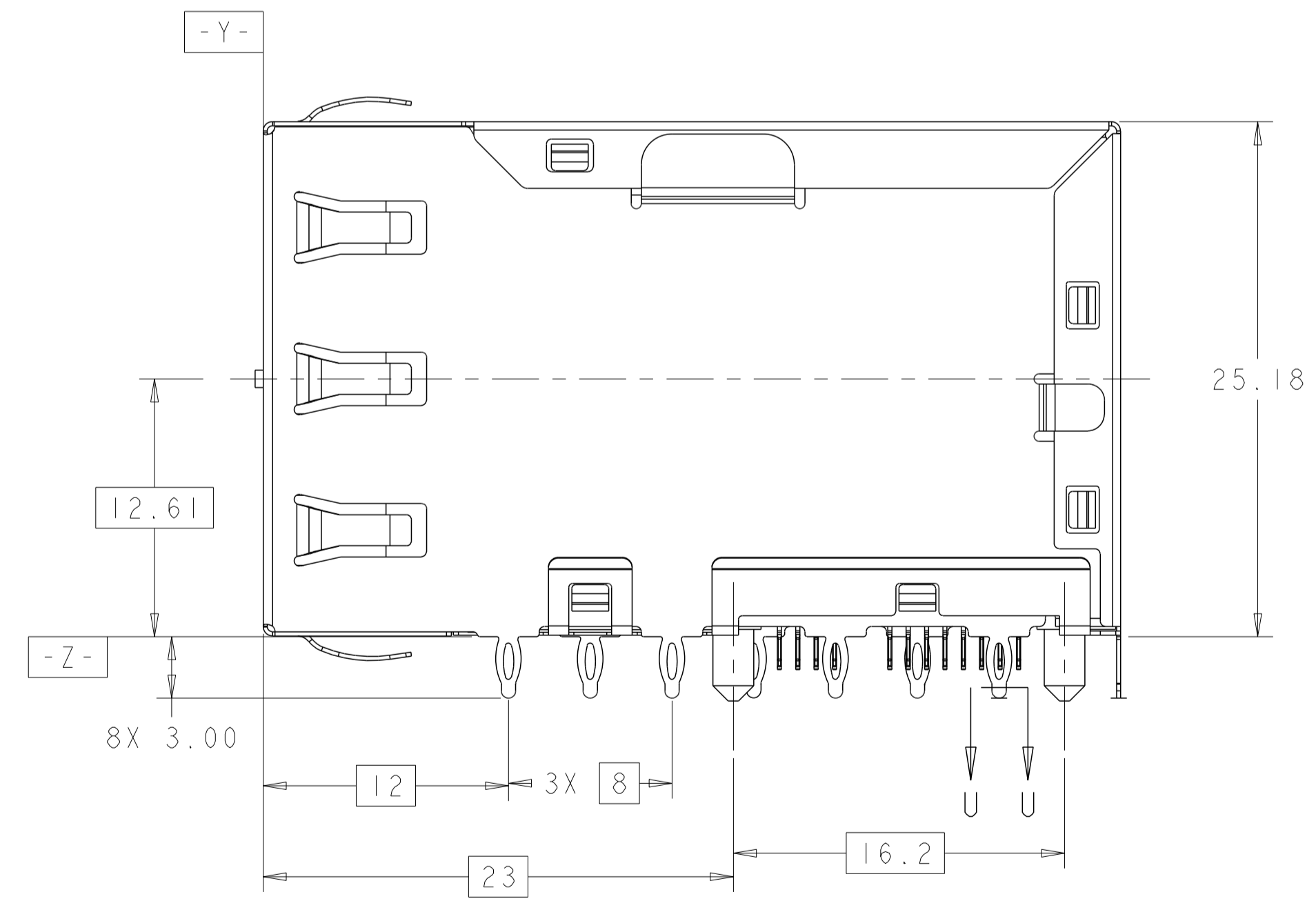
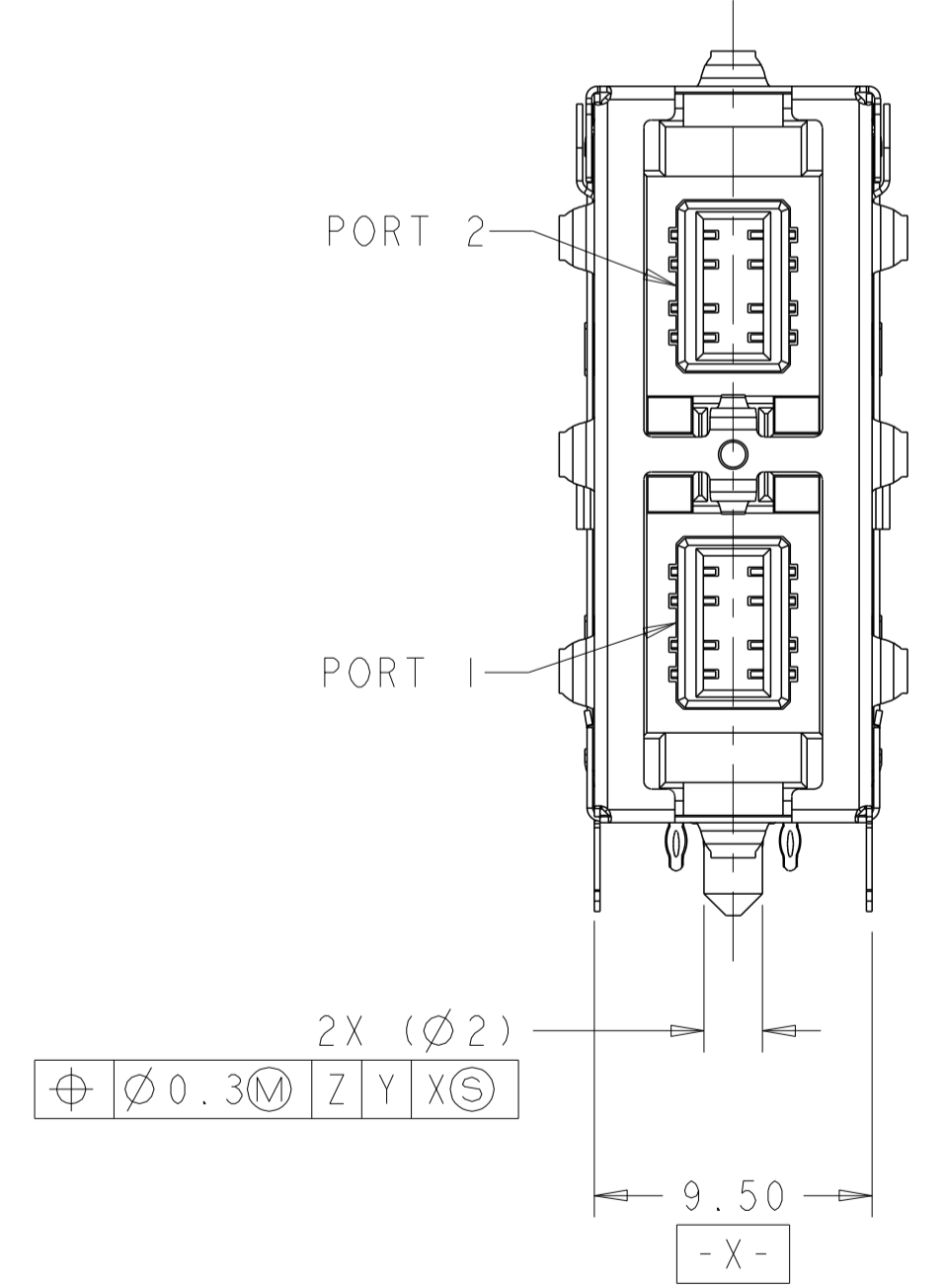
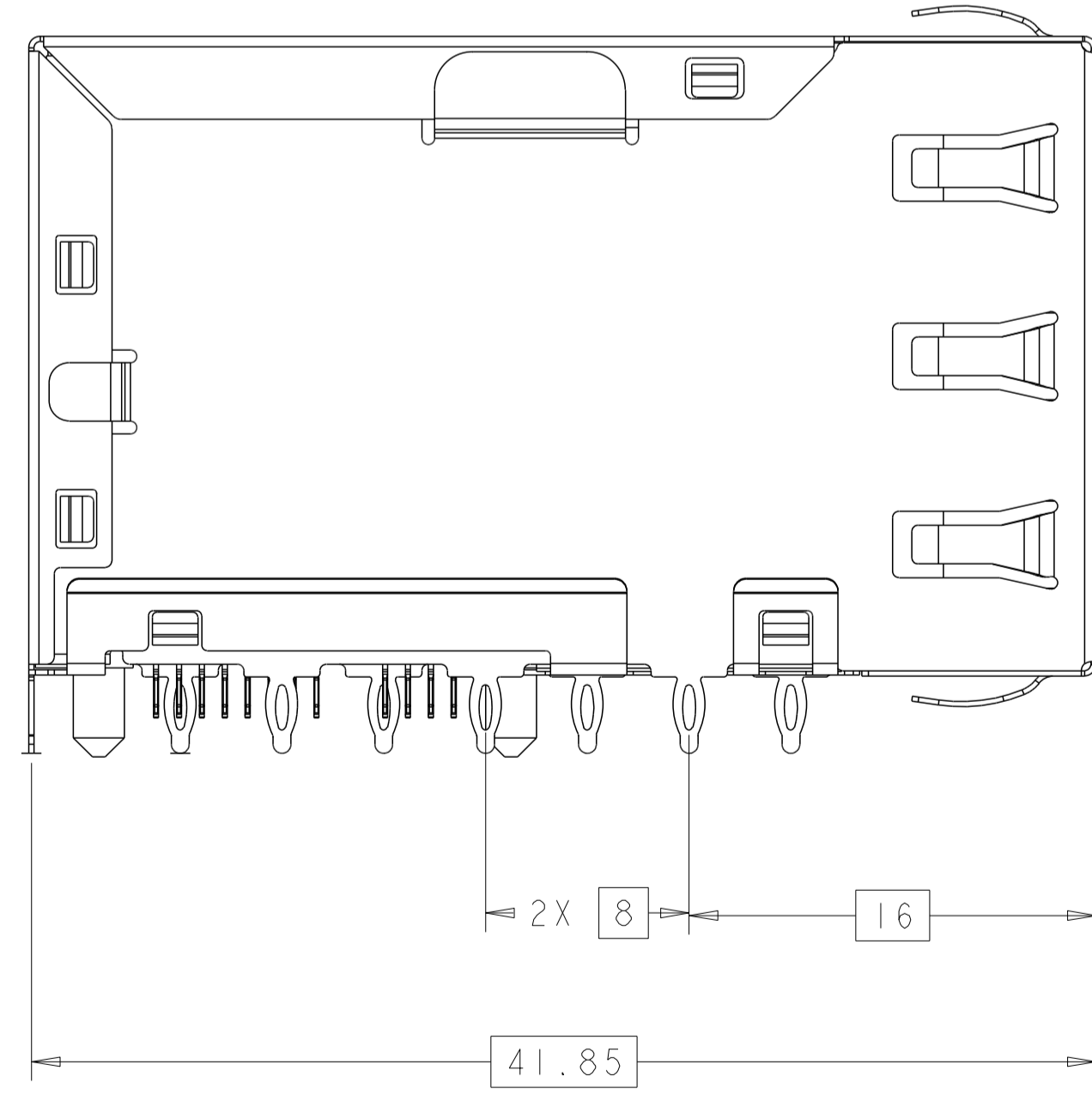
- MATERIAL:  
 HOUSING: BLACK, THERMOPLASTIC, RATED UL 94V-0.  
 SHIELD: COPPER ALLOY WITH NICKEL PLATING.  
 CONTACTS: PHOSPHOR BRONZE.  
 CONTACT PLATING: 0.05µm MIN GOLD OVER  
 0.76µm MIN PALLADIUM-NICKEL, AT MATING  
 INTERFACE CONTACT AREA.
- TE LOGO, PART NUMBER, DATE CODE  
 AND COUNTRY OF ORIGIN, SHOWN APPROXIMATE AREA.  
 DATE CODE: YYWW WHERE "YY" IS YEAR, "WW" IS WEEK,  
 "D" IS DAY OF WEEK, WITH SUNDAY=1.
- LED IS DRIVEN WITH CURRENT AT APPROX 20 mA  
 DOMINANT WAVELENGTH (λD): GREEN 573 nm TYP AT IF=20mA  
 FORWARD VOLTAGE (VF): GREEN 2.0V TYP at IF=20mA  
 DOMINANT WAVELENGTH (λD): RED 624 nm TYP AT IF=20mA  
 FORWARD VOLTAGE (VF): RED 2.0V TYP at IF=20mA  
 DOMINANT WAVELENGTH (λD): YELLOW 589 nm TYP AT IF=20mA  
 FORWARD VOLTAGE (VF): YELLOW 2.0V TYP at IF=20mA
- RECOMMENDED MIN PCB THICKNESS 1.5mm (.062").
- DATUM AND BASIC DIMENSION ESTABLISHED BY CUSTOMER.
- FOR HOLE SIZE AND PLATINGS, SEE SHEET 4.
- ISOLATION VOLTAGE: 2250VDC(MAX) FOR 60 SECONDS WITH  
 A RISE TIME OF 500V/SEC.



SECTION U-U  
 SCALE 50:1

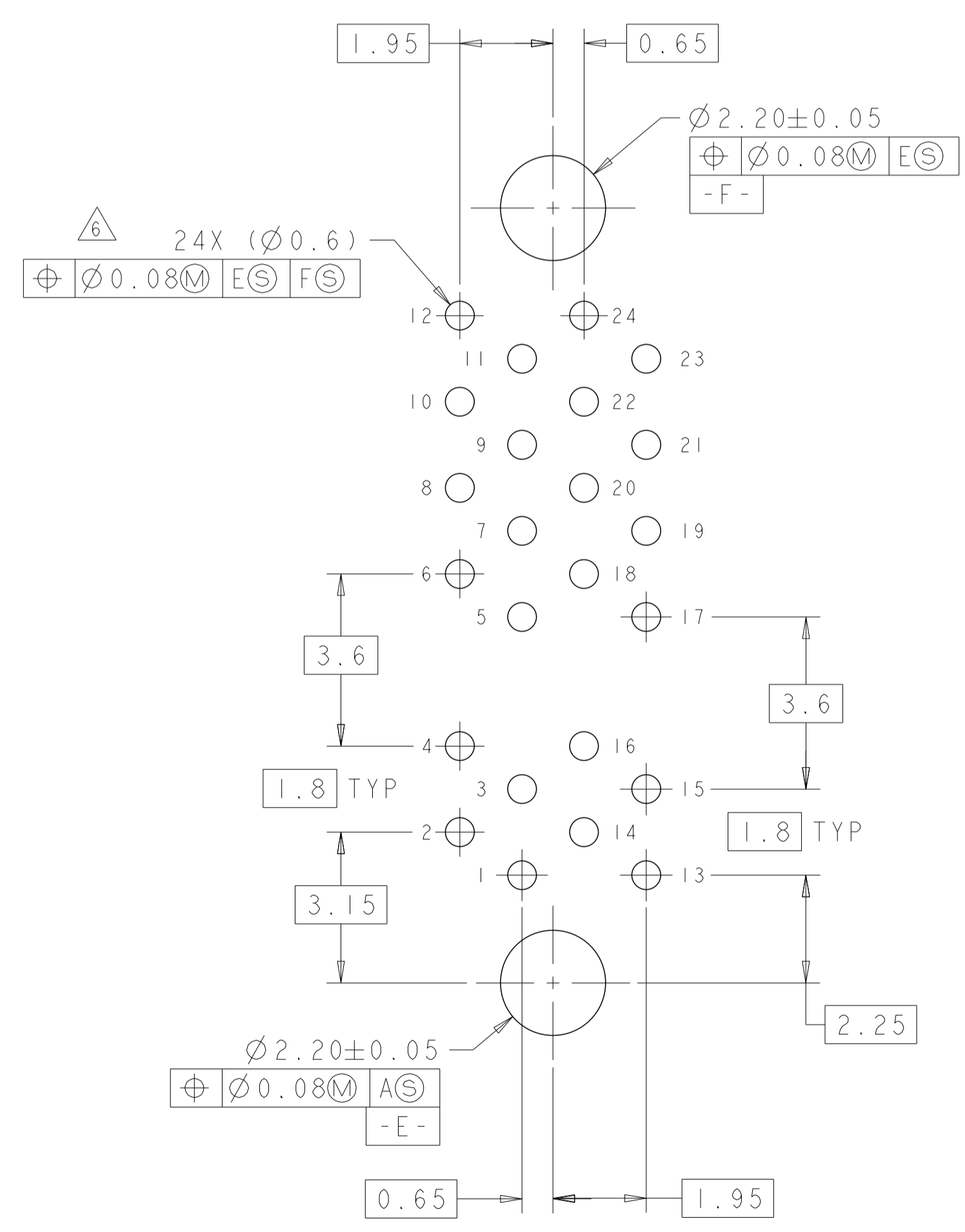
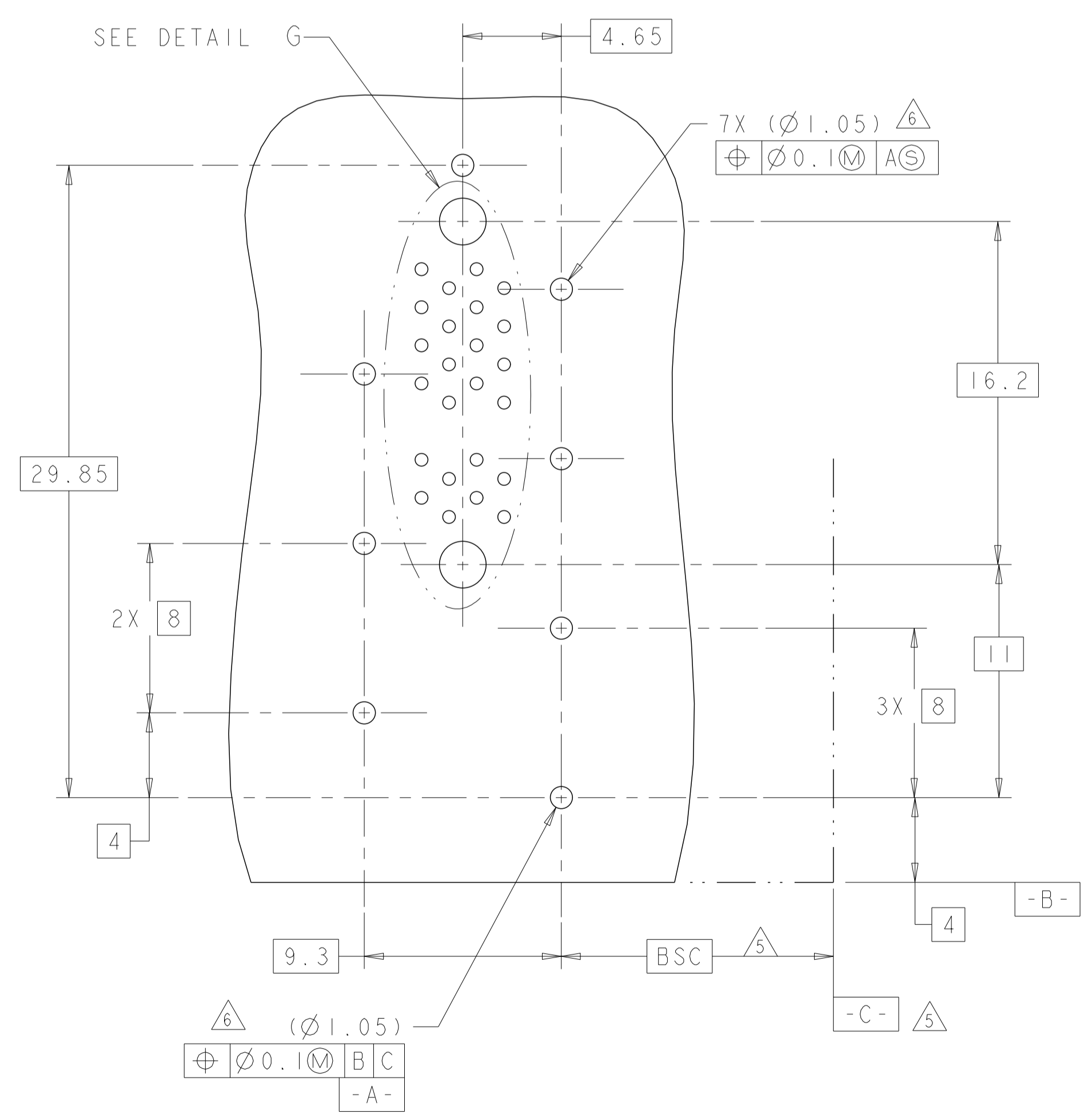
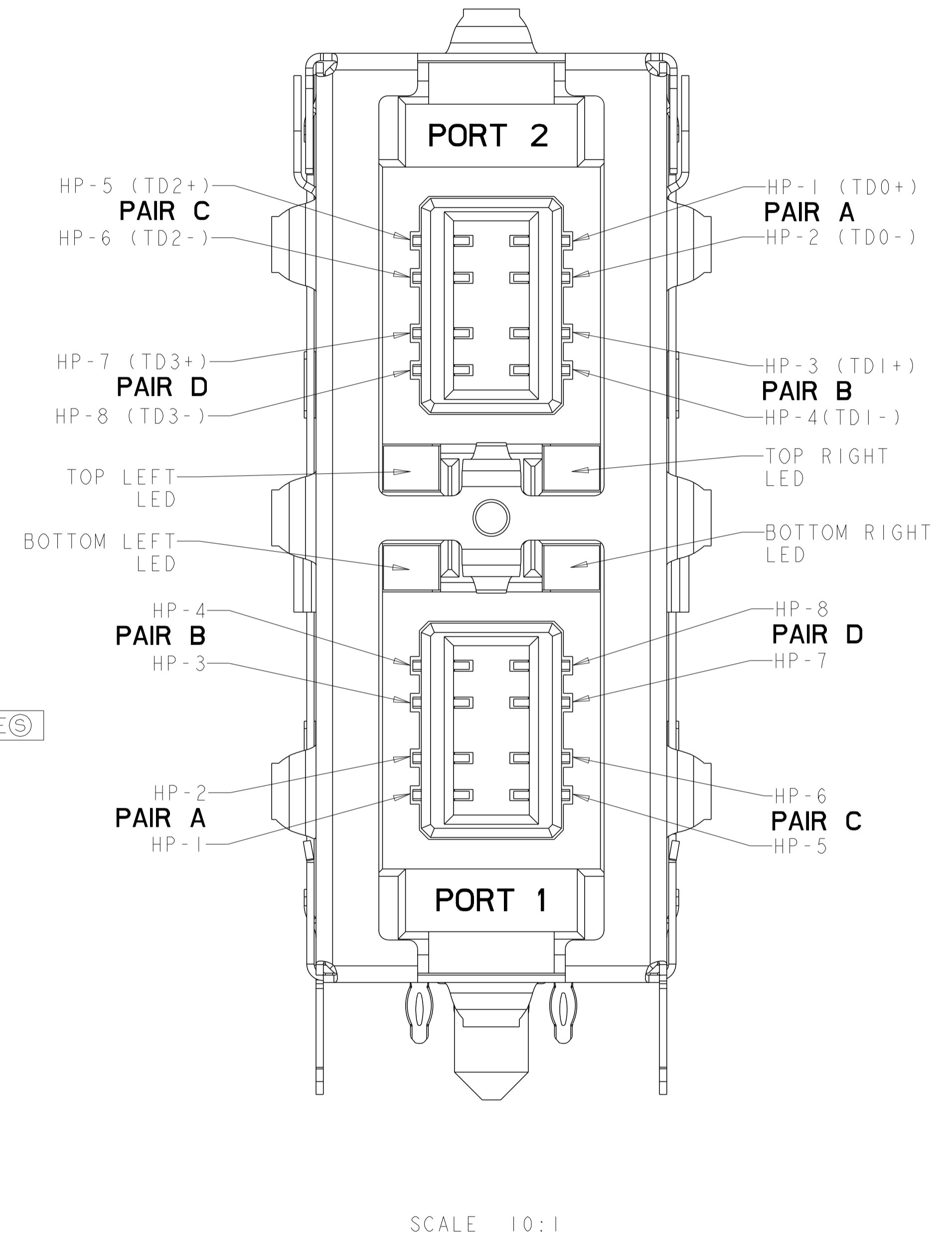
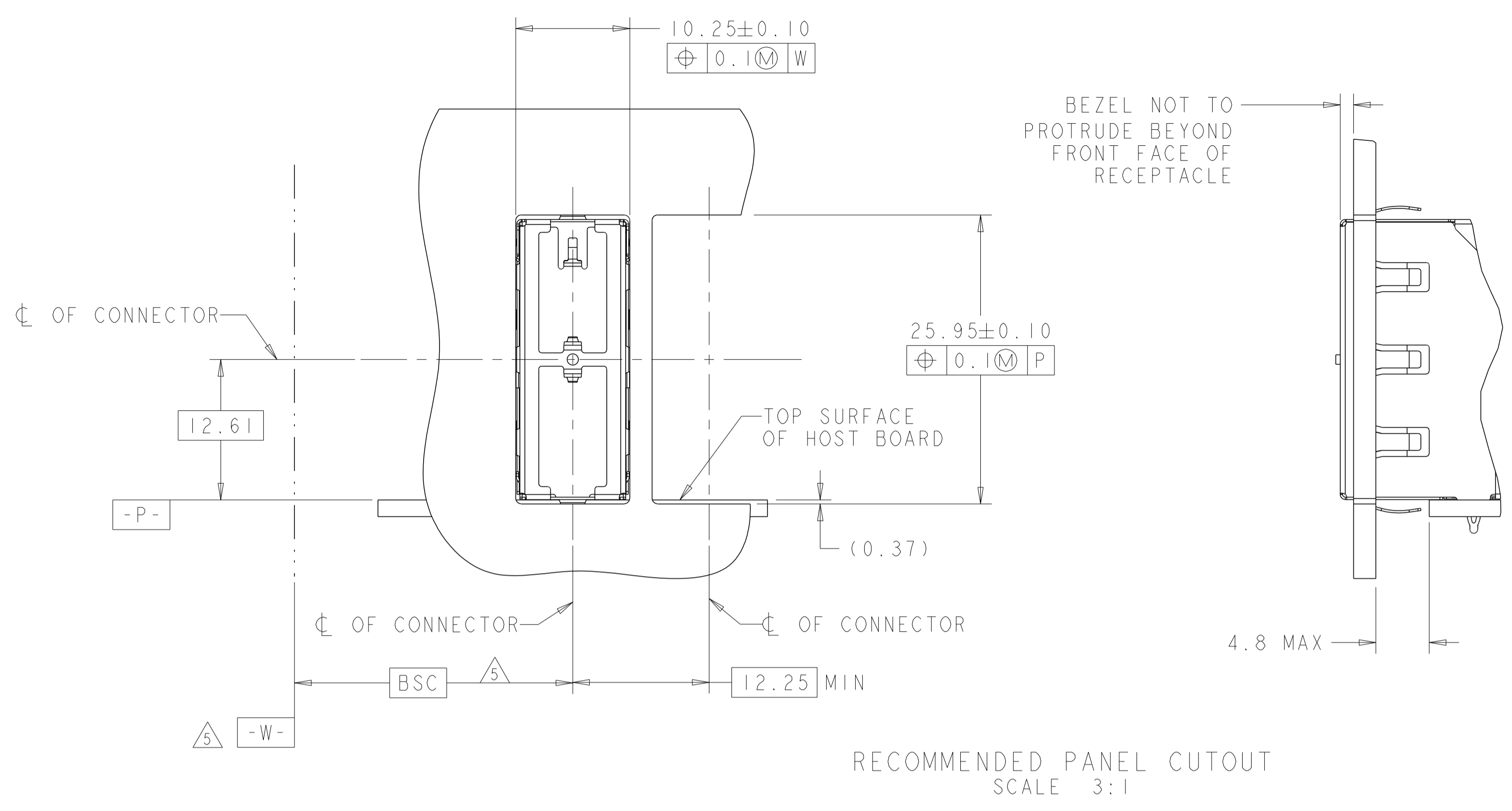


SECTION V-V  
 SCALE 50:1



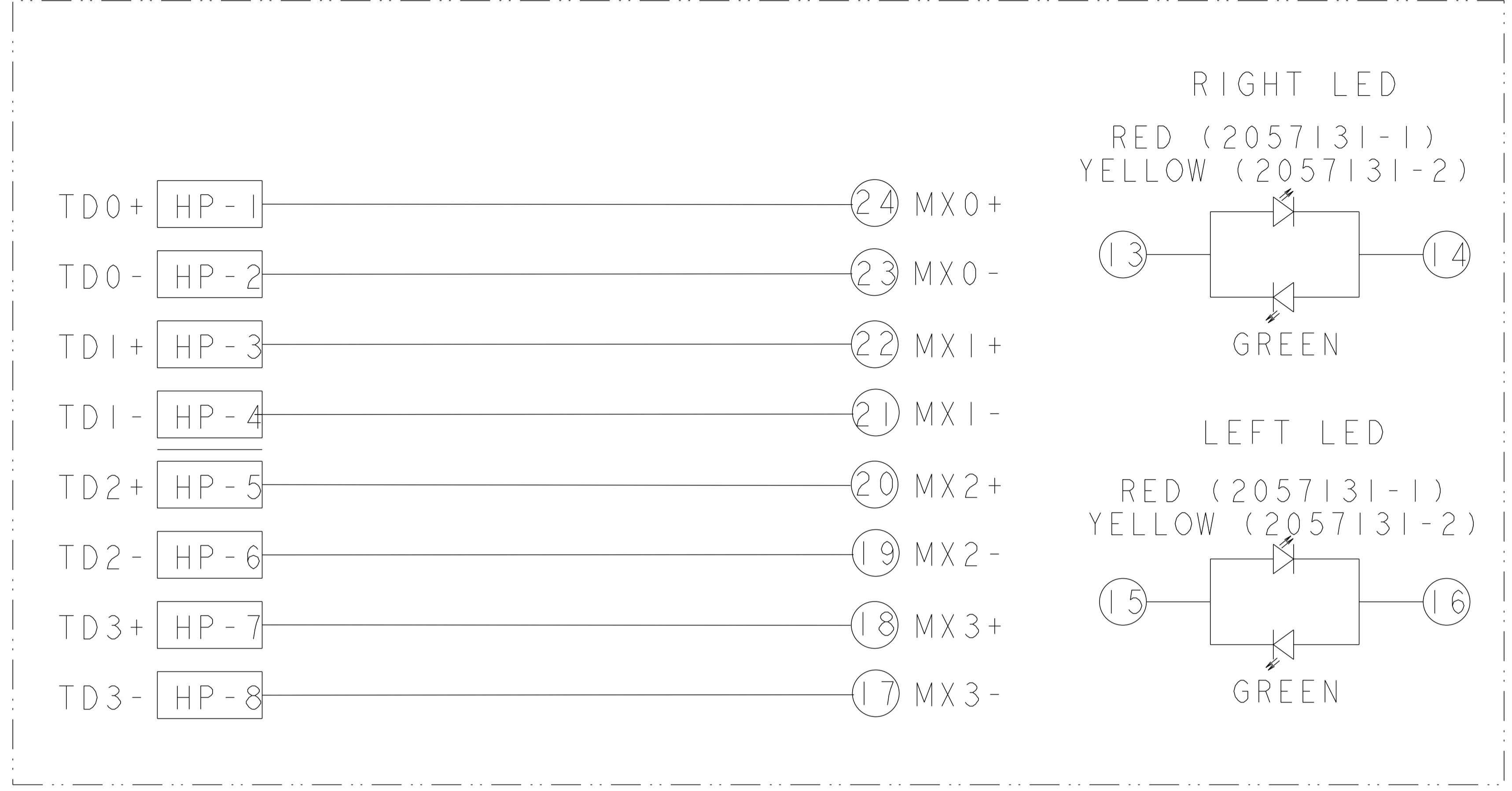
THIS DRAWING IS A CONTROLLED DOCUMENT.		DWN M. SHIRK 04APR2008		TE Connectivity NAME RECEPTACLE ASSEMBLY, 2X1, NON MAGNETICS, RJ POINT FIVE	
DIMENSIONS: mm		TOLERANCES UNLESS OTHERWISE SPECIFIED:			
0 PLC ± 1 PLC ± 2 PLC ±0.25 3 PLC ± 4 PLC ± ANGLES ±° FINISH ±		MATERIAL: :		PRODUCT SPEC	RESTRICTED TO
YELLOW/GREEN BI-COLOR 2057131-2 RED/GREEN BI-COLOR 2057131-1		LED COLORS PART NUMBER		APPLICATION SPEC	SIZE CAGE CODE DRAWING NO
				WEIGHT	A 100779 ©=2057131
				CUSTOMER DRAWING	SCALE 4:1 SHEET 1 OF 4 REV A

LOC		DST		REVISIONS			
AG	00	P	LTR	DESCRIPTION	DATE	DNW	APVD
		-	-	SEE SHEET 1			

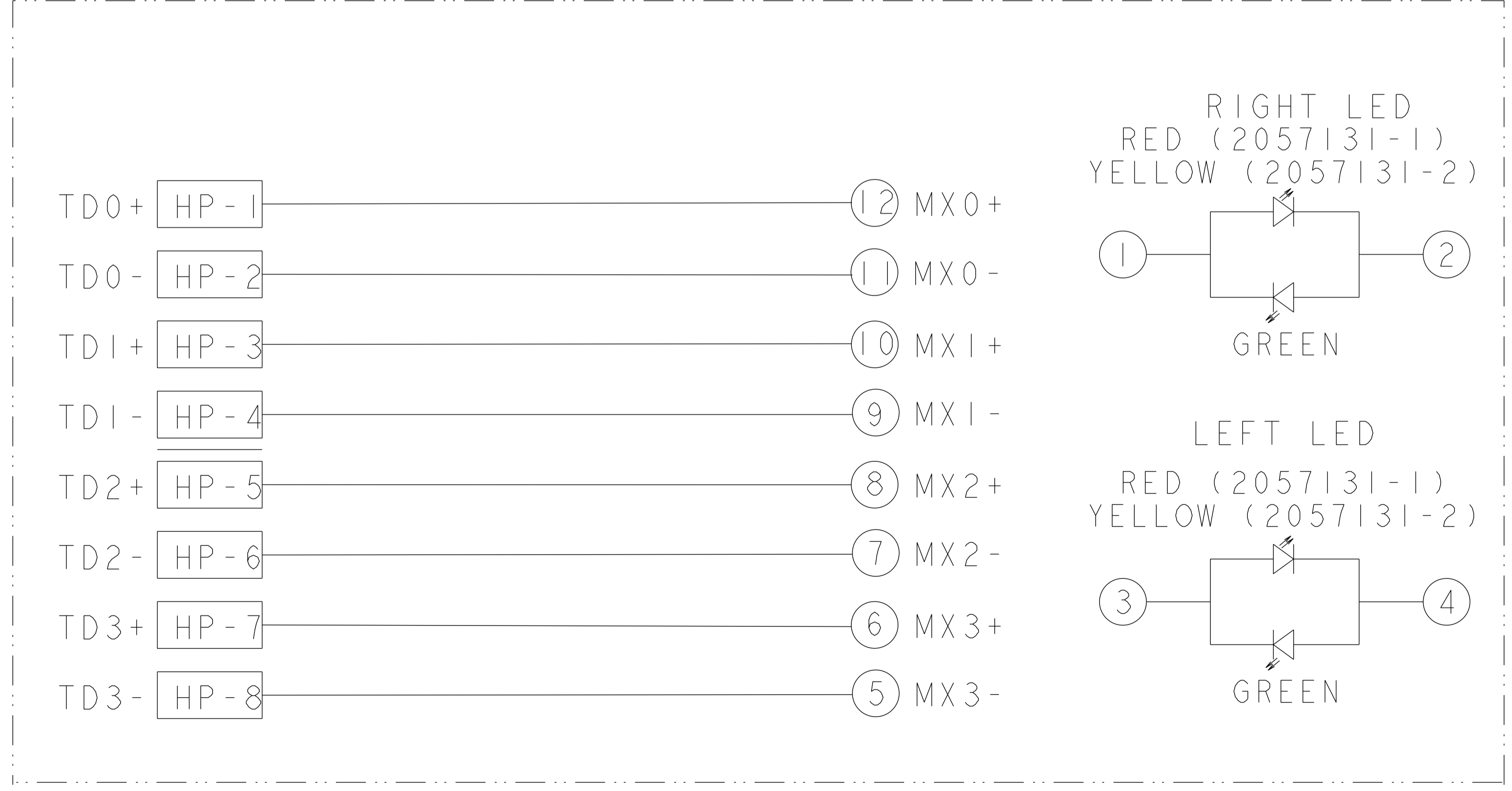


THIS DRAWING IS A CONTROLLED DOCUMENT.		DNW M. SHIRK 04APR2008	 TE Connectivity	NAME RECEPTACLE ASSEMBLY, 2X1, NON MAGNETICS, RJ POINT FIVE
DIMENSIONS: mm		CHE B. HENRY 04APR2008		
TOLERANCES UNLESS OTHERWISE SPECIFIED:		APVD B. HENRY 04APR2008		
0 PLC ± 1 PLC ± 2 PLC ±0.25 3 PLC ± 4 PLC ± ANGLES ±°		PRODUCT SPEC		
MATERIAL	FINISH	WEIGHT	APPLICATION SPEC	RESTRICTED TO
CUSTOMER DRAWING		SCALE 4:1	SHEET 2 OF 4	REV A

LOC		DIST		REVISIONS				
AG	00	P	LTR	DESCRIPTION	DATE	DNW	APVD	
		-	-	SEE SHEET 1				



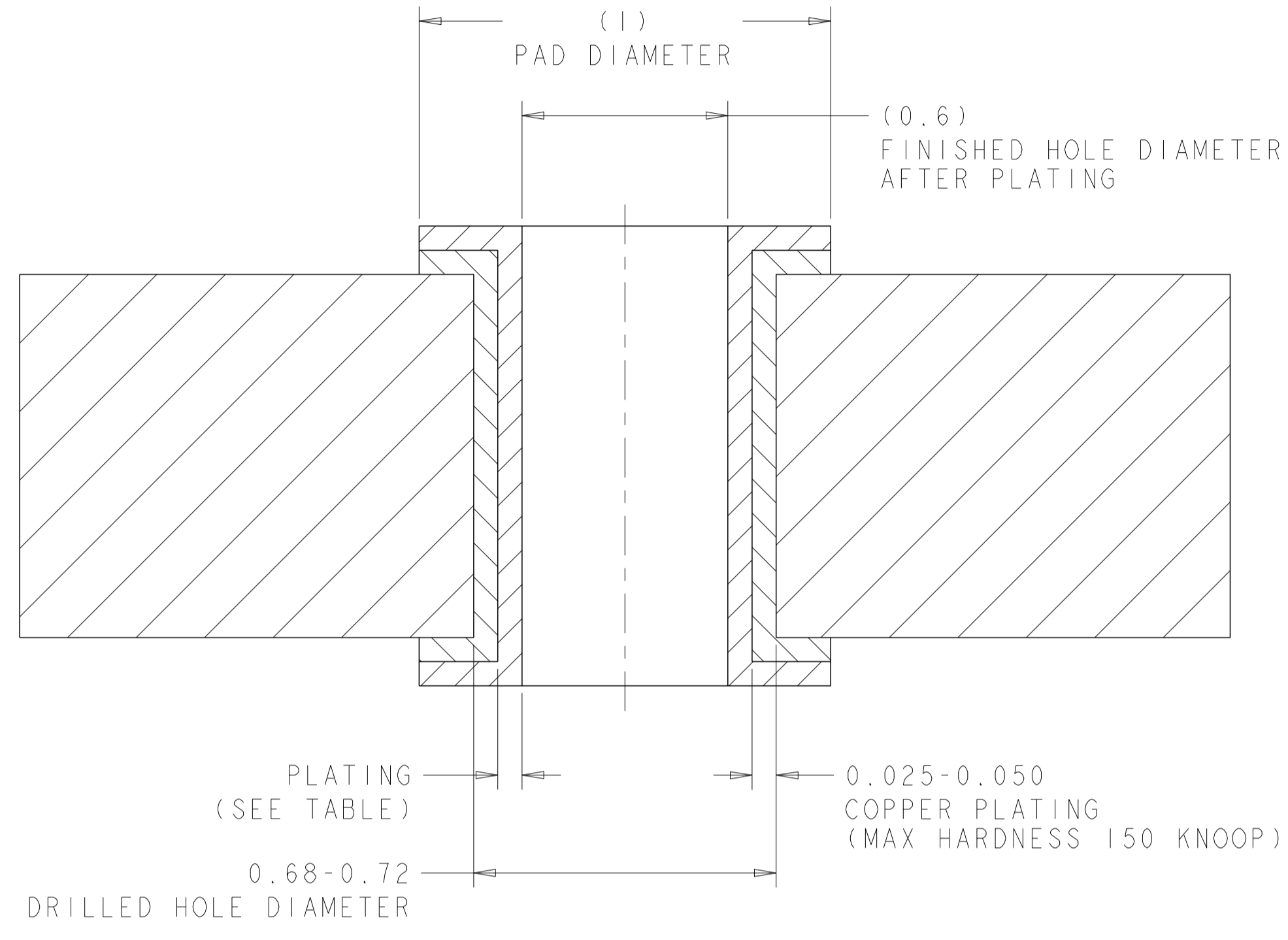
TOP PORT



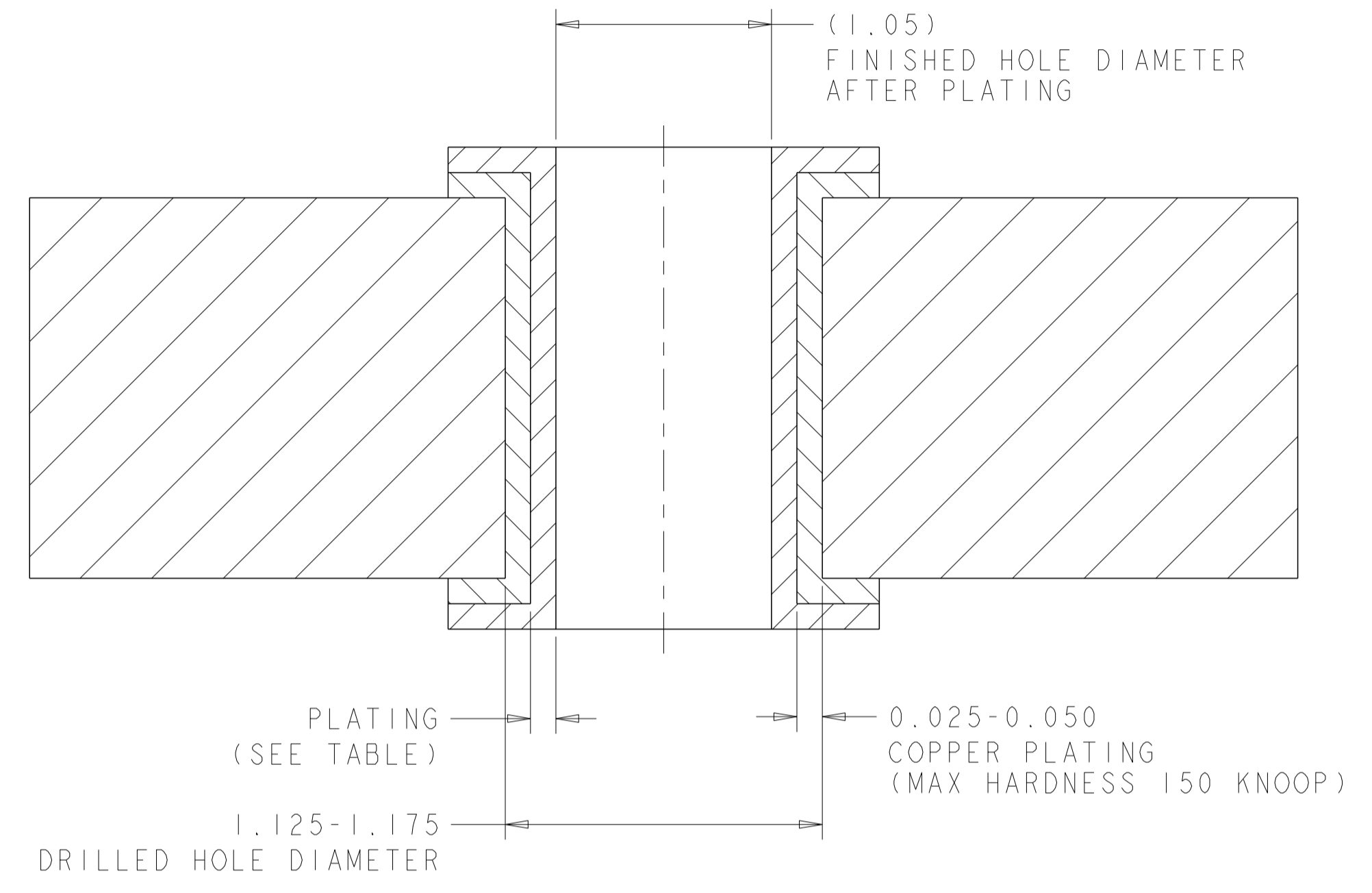
BOTTOM PORT

THIS DRAWING IS A CONTROLLED DOCUMENT.		DNW M. SHIRK 04APR2008	NAME	
DIMENSIONS: mm		CHE B. HENRY 04APR2008	RECEPTACLE ASSEMBLY, 2X1, NON MAGNETICS, RJ POINT FIVE	
TOLERANCES UNLESS OTHERWISE SPECIFIED: 0 PLC ± 1 PLC ± 2 PLC ±0.25 3 PLC ± 4 PLC ± ANGLES ±°		APVD B. HENRY 04APR2008	PRODUCT SPEC	
MATERIAL		APPLICATION SPEC	SIZE	RESTRICTED TO
		WEIGHT	A 100779 ©=2057131	
		CUSTOMER DRAWING	SCALE 4:1	SHEET 3 OF 4 REV A

LOC	DIST	REVISIONS					
AG	00	P	LTR	DESCRIPTION	DATE	DWN	APVD
		-		SEE SHEET 1			



**RECOMMENDED HOLE DIMENSIONS FOR SIGNAL CONTACTS**



**RECOMMENDED HOLE DIMENSIONS FOR SHIELD PINS**

THICKNESS	PLATING
0.004-0.010	HOT AIR SOLDER LEVELING (HASL) TIN-LEAD (Sn Pb)
0.0005-0.001	IMMERSION TIN (Sn)
0.0002-0.0005	ORGANIC SOLDERABILITY PRESERVATIVE (OSP)
0.0001-0.0005 Au, 0.004-0.0076 Ni	IMMERSION GOLD (Au) OVER NICKEL (Ni) (ENIG)
0.010-0.025	TIN LEAD PLATING (Sn Pb)
0.0001-0.00015	IMMERSION SILVER (Ag)

THIS DRAWING IS A CONTROLLED DOCUMENT. DWN: M. SHIRK 04APR2008  
 CWR: B. HENRY 04APR2008  
 APVD: B. HENRY 04APR2008

**STE** TE Connectivity

NAME: RECEPTACLE ASSEMBLY, 2X1, NON MAGNETICS, RJ POINT FIVE

PRODUCT SPEC: -  
 APPLICATION SPEC: -

SIZE: A1 CAGE CODE: 00779 DRAWING NO: 2057131 RESTRICTED TO: -

MATERIAL: - FINISH: - WEIGHT: -

CUSTOMER DRAWING SCALE: 4:1 SHEET: 4 OF 4 REV: A