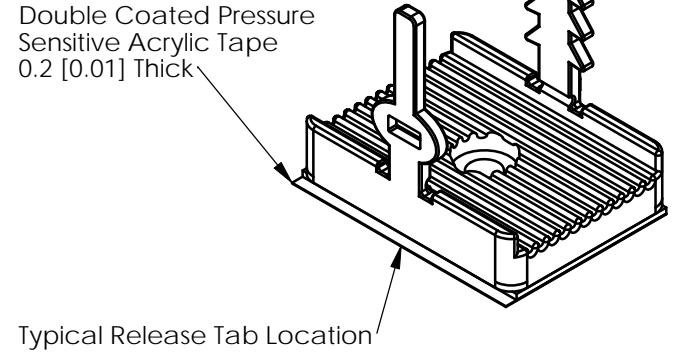
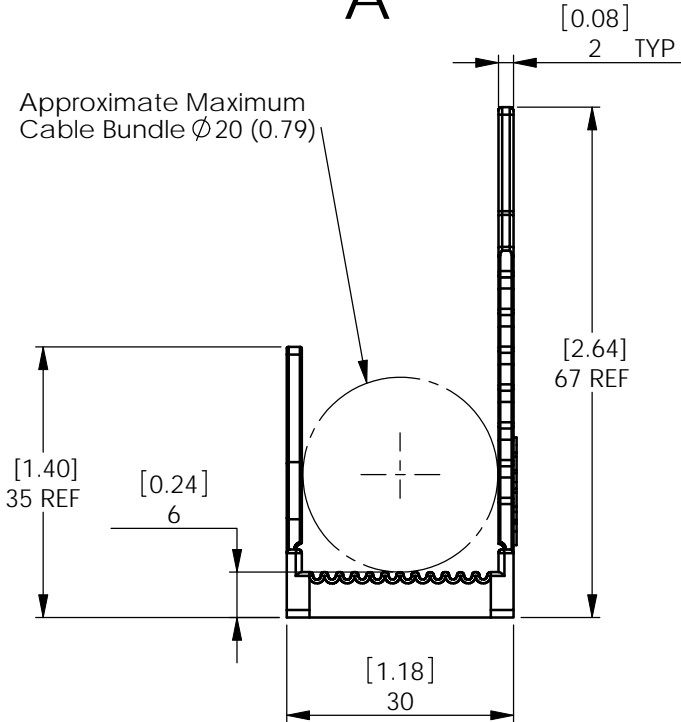
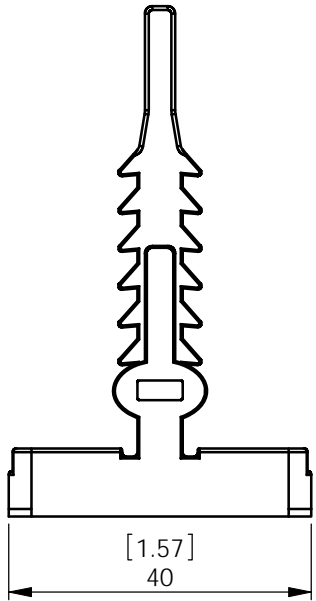
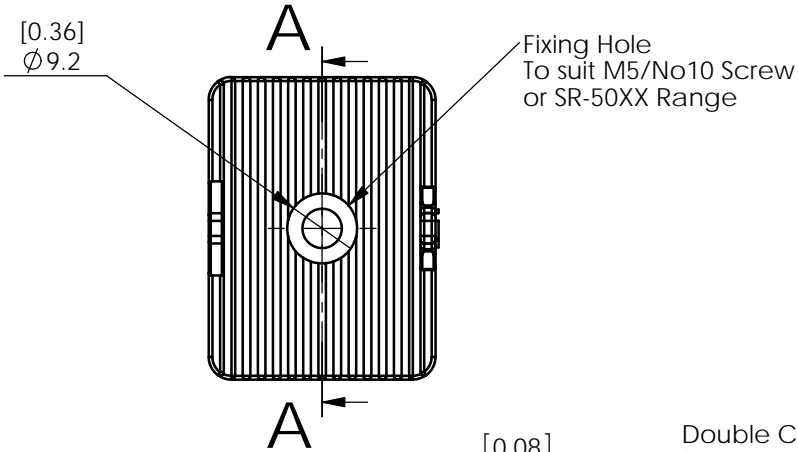
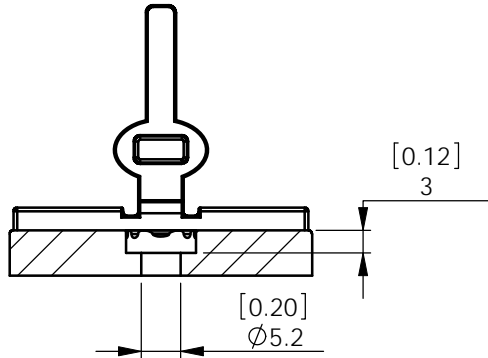


SECTION A-A  
SCALE 1 : 1

REV.	MODIFICATION.	DATE	DRN
01	Production Released	04/02/10	PH

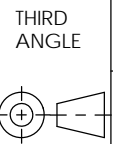


ALTERNATE UNITS FOR REFERENCE ONLY

INFORMATION CONTAINED IN THIS DOCUMENT IS CONFIDENTIAL TO RICHCO INTERNATIONAL Co. Ltd. AND MAY NOT BE DISCLOSED OR REPRODUCED IN WHOLE OR PART WITHOUT THEIR WRITTEN CONSENT.

**RICHCO, INC.**  
WWW.RICHCO-INC.COM

ALL DIMENSIONS IN mm  
GENERAL TOLERANCES ±0.25  
UNLESS OTHERWISE STATED  
1 DECIMAL PLACE ±  
2 DECIMAL PLACES ±  
ANGULAR ±1°



MATERIAL: <b>Neoprene Rubber 50 Shore A (RMS-190)</b>		COLOUR: Black	
DESCRIPTION: Universal Mounting Block		PART No: See Table	
DRG No: 010-011	NPR No: GB08-0133	SHEET SIZE A4	
DRN PH	DATE 04/02/10	CHKD PH	DATE 17/02/10
SCALE NTS	SHEET No. 1 OF 1		

Part Number	Description	Mounting Method
UMB-1	Universal Mounting Block	M5 /#10 Screw or SR-50XX Range Not Supplied
UMB-1A-RT	Universal Mounting Block -Taped	Adhesive Tape (RMS-139)