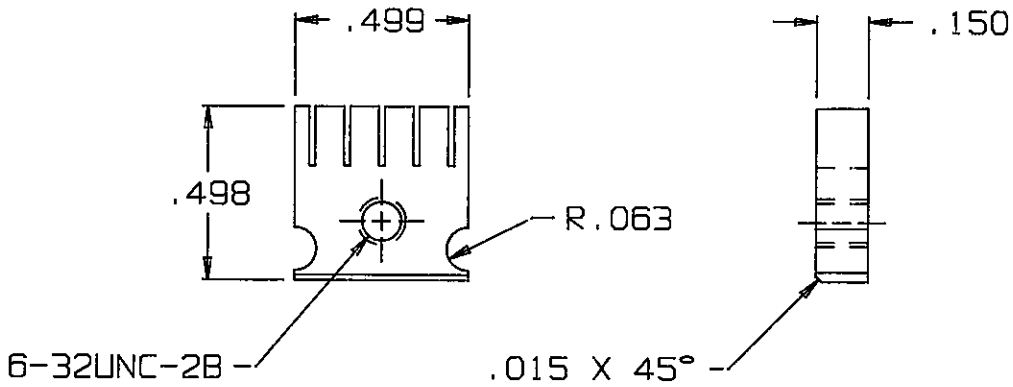


LDC AD	DIST 47	REVISIONS			
P	LTR	DESCRIPTION	DATE	OWN	APVD
	A	REVISED & REDRAWN PER EC 0430-0387-97	10-27-97	JG	BE



RELEASED FOR PUBLICATION

THIS DRAWING IS UNPUBLISHED.

BY AMP INCORPORATED. ALL RIGHTS RESERVED.

© COPYRIGHT 19

767530-1
PART
NUMBER

DIMENSIONS: INCHES	OWN J. GERACE	10-27-97	MATERIAL	TOOL STEEL	FINISH	-	
	CHK R. ELICKER	10-27-97	AMP Incorporated Harrisburg, PA 17105-3608				
TOLERANCES UNLESS OTHERWISE SPECIFIED:	APVD A. MONK	10-27-97					
0 PLC ±-	PRODUCT SPEC	-	NAME DIE INSERT				
1 PLC ±-	APPLICATION SPEC	-					
2 PLC ±-	WEIGHT	-	SIZE	CAGE CODE	DRAWING NO		
3 PLC ±.005		-	A4	00779	C= 767530		
4 PLC ±-			CUSTOMER DRAWING	SCALE	2:1	SHEET	1 OF 1
ANGLES ±-							