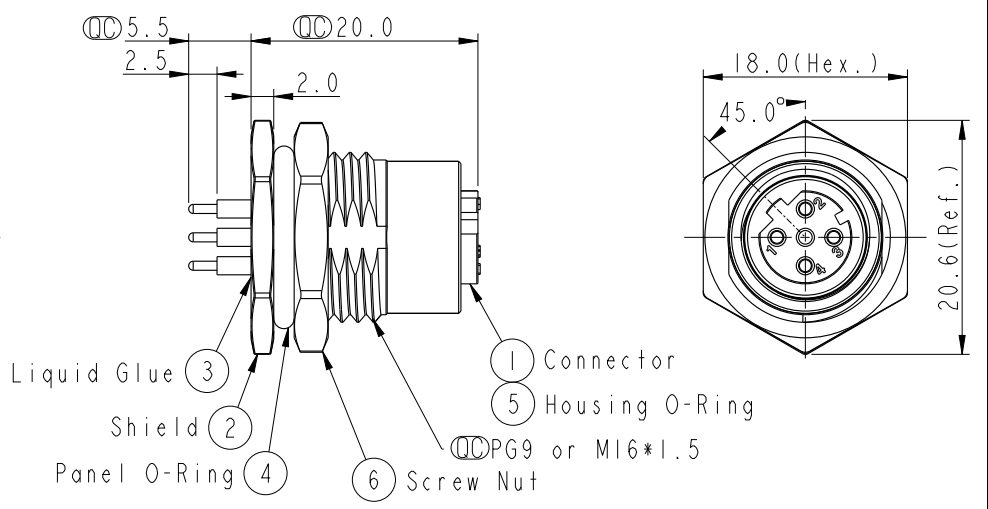
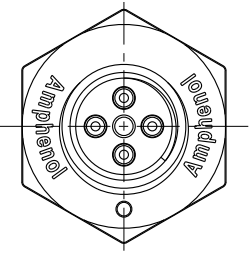
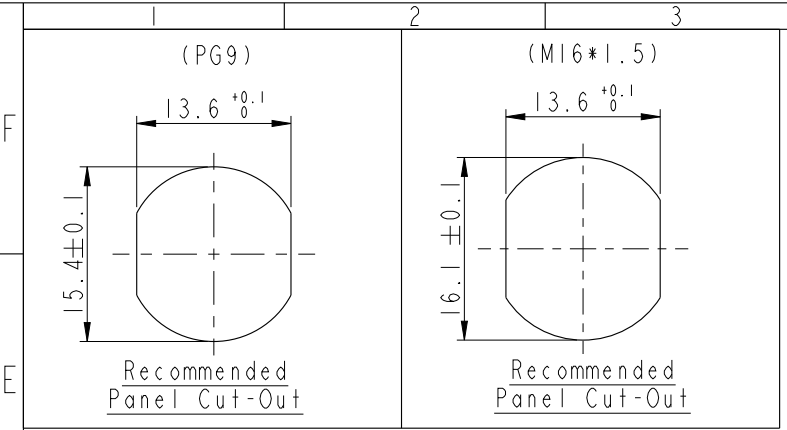


THIS DOCUMENT IS SUBJECT TO CHANGE WITHOUT NOTICE. IT IS CONFIDENTIAL AND A PROPERTY OF Amphenol LTW. DISCLOSURE TO THIRD PARTY HAS TO BE AUTHORIZED BY Amphenol LTW.

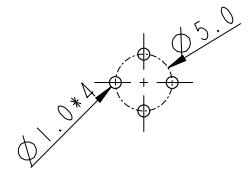
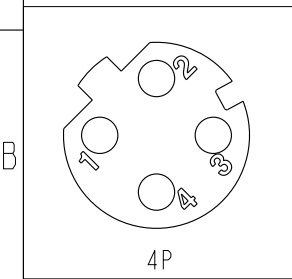
REV.	ECN NO.	DATE	SIGN	DESCRIPTION
B	LEN1580021-022	2015-07-24	Yulong_wang	Change to Share Drawing.



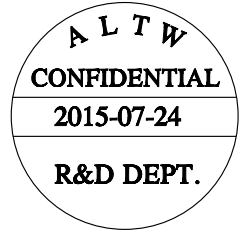
M 12D - 04 P F F P - S F 8 XXX

12D: D-Code  
 04: 4Pin  
 P: Panel (板端)  
 F: Female Connector (母座)  
 F: Female Pin (母Pin)  
 P: PCB THT/DIP Type (180° 基板插件式)

001: PG9  
 002: M16\*1.5  
 8: IP68 (防水等級68)  
 F: Front Fasten (前鎖式/Enclosure Rear Mount)  
 S: Screw (螺紋式)



PCB Layout



- Note:
- \* ⌀ Important Dimension.
  - \* Waterproof Rate: IP68.
  - \* Housing: Nylon+GF, Black.
  - \* Female Pin: Copper Alloy, Gold Plated.
  - \* Shield: Zinc Alloy, Nickel Plated.
  - \* Screw Nut: Zinc Alloy, Nickel Plated.
  - \* Panel O-Ring: Viton, Black.
  - \* Housing O-Ring: Viton, Green.
  - \* Rated Voltage: 250V dc. or ac.
  - \* Rated Current: 4A
  - \* Operating Temperature: -40~105°C
  - \* For Panel Thickness Max 4.5mm.
  - \* Recommended Nut Torque: 4-6 Kgf.cm.

Pin Assignment Front View

UNIT: mm		TITLE M12 D-Code Female Conn. PCB Type Unshielded			ITEM NO. M12D-04PFFP-SF8XXX		DRAWN BY Yulong_wang		DATE 2015-07-24	
		TOLERANCE .X ±0.25 .XX ±0.1 .XXX ±0.05 ANGLES ±1°	SCALE 2:1	SIZE A4	SHEET 1 OF 1	DWG NO. M12D-04PFFP-SF8XXX	CHECKED BY Cary	DATE 2015-07-24	APPROVED BY Jerry	DATE 2015-07-24
		REV. B	WC-REV. A.5	⌀: Inspection item	Amphenol LTW 安費諾亮泰企業股份有限公司		DATE 2015-07-24		DATE 2015-07-24	