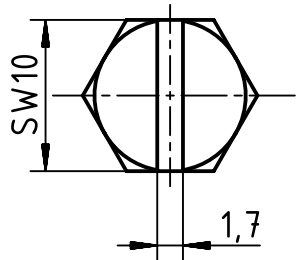
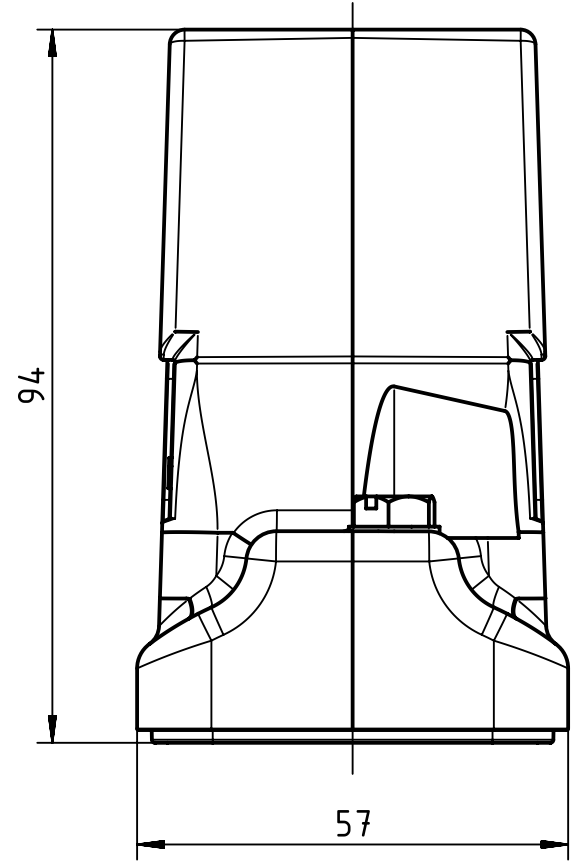
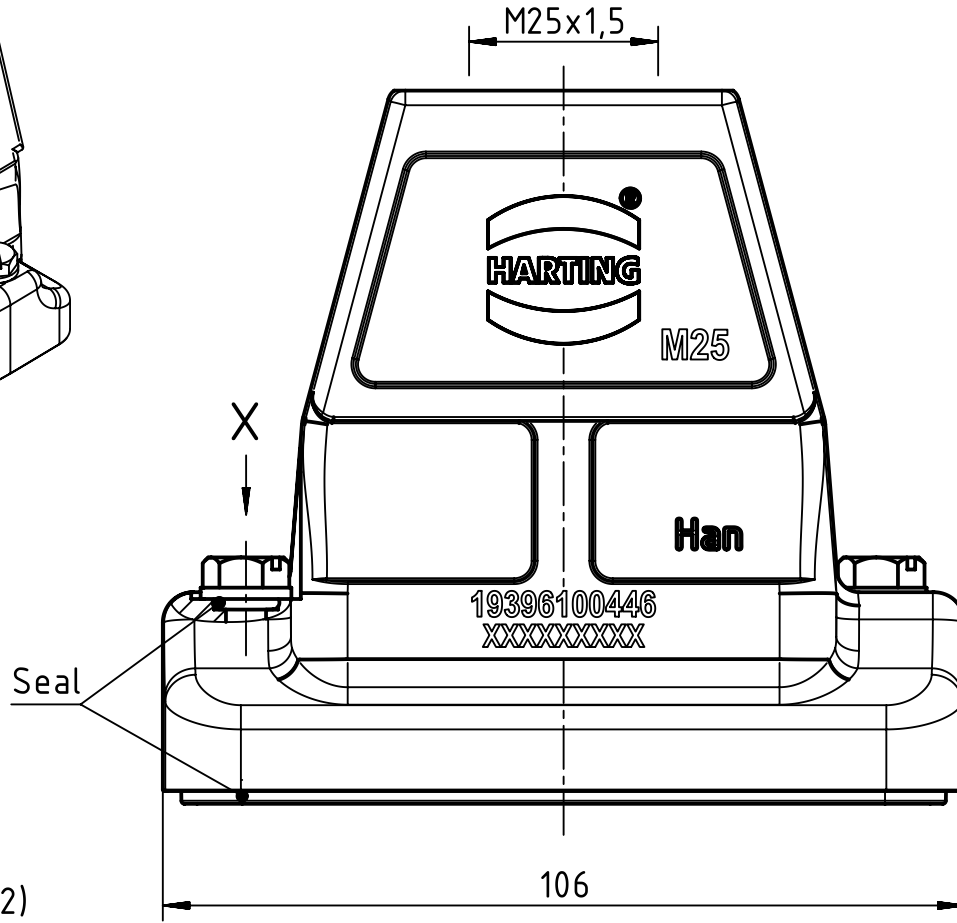
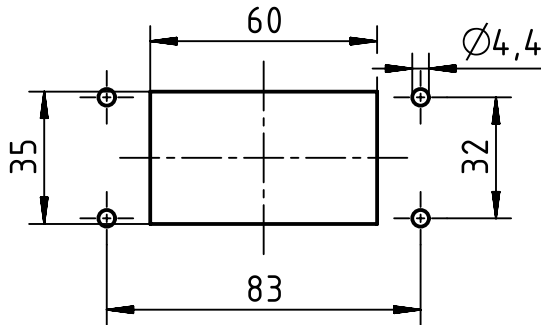
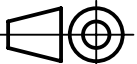



X (2:1)



Panel cut out (1:2)



 All Dimensions in mm Original Size DIN A4		Scale 1:1	Free size tol.		Ref.
 All rights reserved Department EL PD - CN		Created by LONGL	Inspected by WENE	Standardisation SCHMIDTM	Date 2017-03-20
HARTING (Zhuhai) Manufacturing Co., Ltd. 519085 Zhuhai, China		Title Han 10HP Direct/B-HTE-M25			State Final Release
		Type TB	Number 19 39 610 0446		Doc-Key / ECM-Nr. 100632975/UGD/003/D 500000116960
					Rev. <b>D</b> Page 1/1