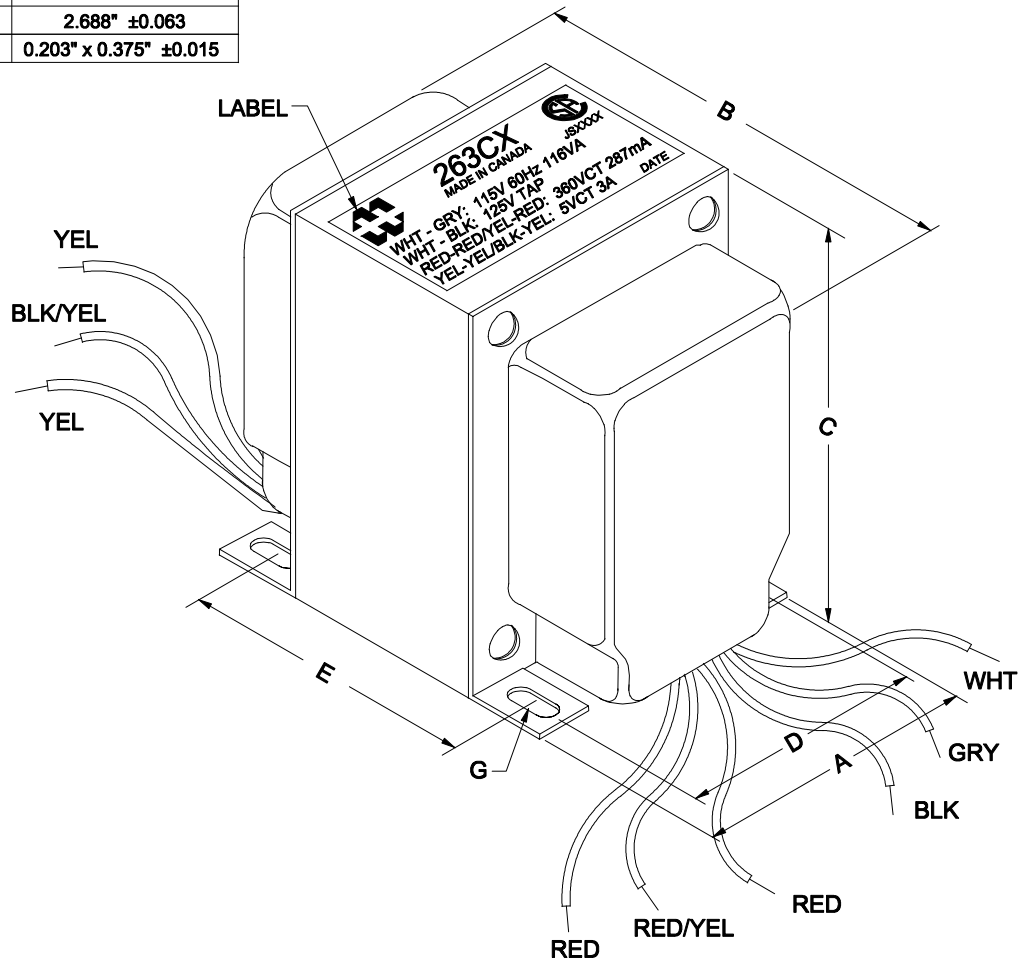
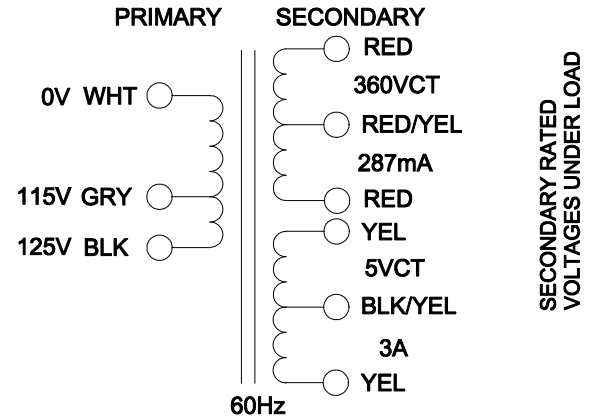


DIMENSIONS:	
A	2.500" ±0.063
B	3.685" ±0.125
C	3.060" ±0.063
D	2.000" ±0.063
E	2.688" ±0.063
G	0.203" x 0.375" ±0.015



NOTE: ALL LEADS 6" OUT MIN. STRIPPED 0.5"



ELECTRICAL DATA:		
TESTS	CONDITIONS	ACCEPTANCE CRITERIA
I _{ex}	@ 125V, 60Hz, WHT - BLK	283mA Max.
Sec. N.L.V	@ 125V, 60Hz, WHT - BLK	
	RED - RED =	392.3V ±2%
	RED - RED/YEL = RED/YEL - RED =	196.2V ±2%
	YEL - YEL =	5.474V ±2%
	YEL - BLK/YEL = BLK/YEL - YEL =	2.737V ±2%
DCR	@ 20°C, WHT - BLK =	2.730 Ω ±20%
	@ 20°C, RED - RED =	33.33 Ω ±20%
	@ 20°C, YEL - YEL =	0.065 Ω ±20%
HIPOT	PRIMARY - SECONDARY	2000V, 60Hz, 1 SEC

REV.#	REVISION	DATE	HAMMOND ELECTRONIC DIVISION		52 RANKIN PLACE, WATERLOO, ONTARIO, N2J 3Z5	PH # (519) 886-6181 FAX # (519) 886-9540
0	RELEASED. C.I.	10/05/12	MANUFACTURING™			
			DWG. BY: C. ILIE	CHK'D BY:	TITLE: POWER TRANSFORMER	DWG. NO. 263CX
			DATE: 10/05/12	APP'D. BY:		
				DIMENSIONS: IN(X) MM()		