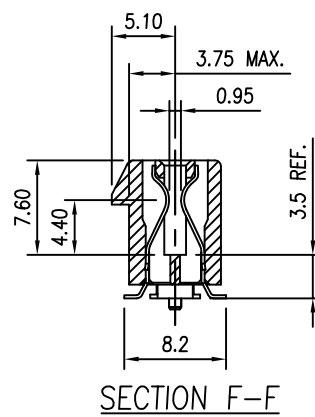
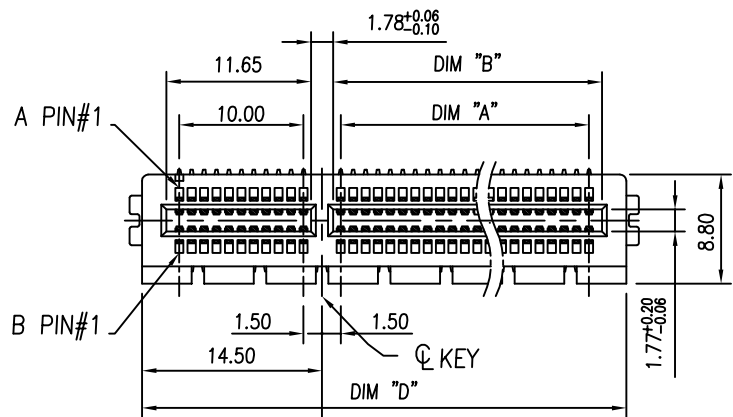
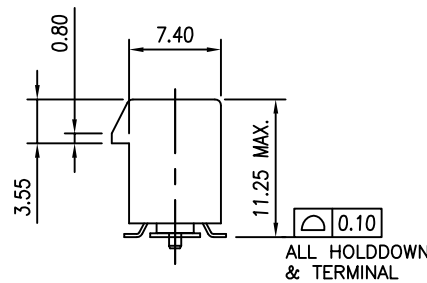
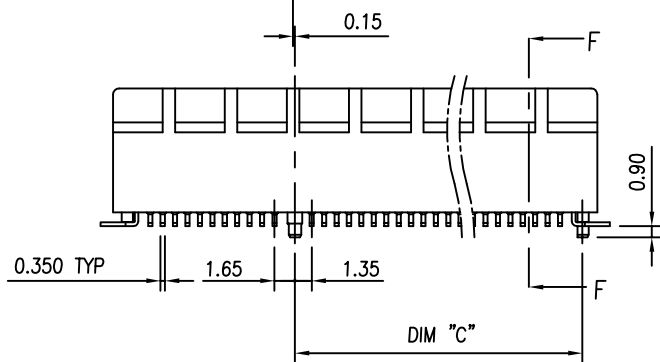


| REVISION RECORD | | |
|-----------------|-------------|------|
| REV | DESCRIPTION | DRFT |
| | | |

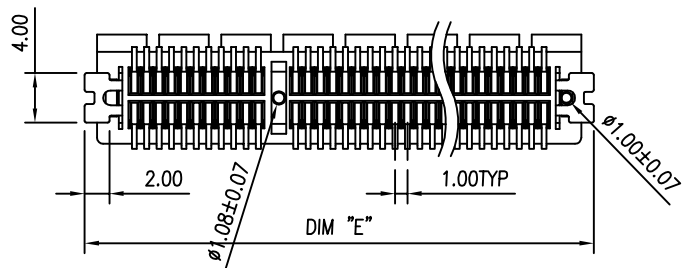


| DIMENSIONS | | | | | |
|------------|---------|---------------------------------------|---------|---------|---------|
| POSITION | A ±0.20 | B ^{+0.20} / _{-0.08} | C ±0.25 | D ±0.25 | E ±0.25 |
| 36 | 6 | 7.65 | 9.15 | 25.00 | 27.00 |
| 64 | 20 | 21.65 | 23.15 | 39.00 | 41.00 |
| 98 | 37 | 38.65 | 40.15 | 56.00 | 58.00 |
| 164 | 70 | 71.65 | 73.15 | 89.00 | 91.00 |



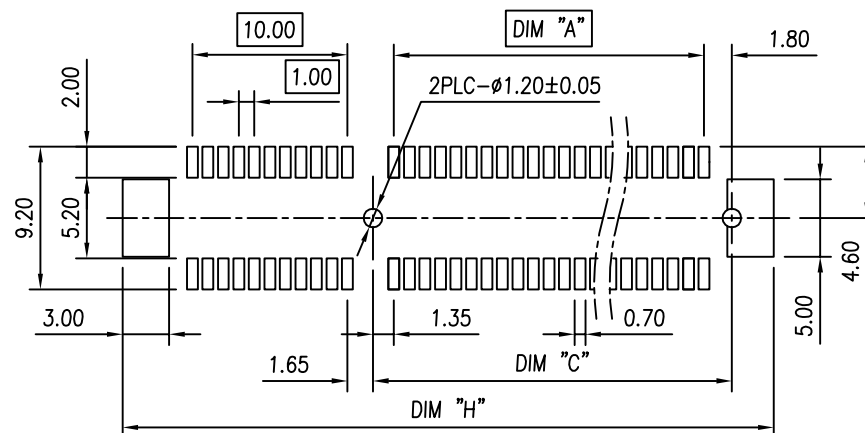
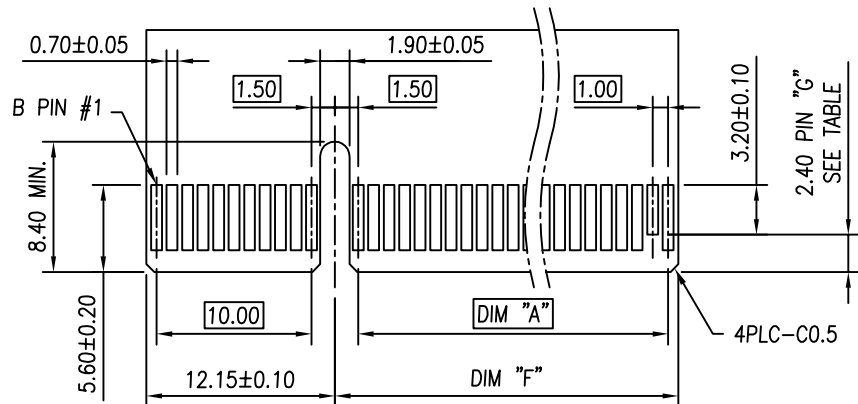
NOTES:

1. MATERIAL:
 - 1.1 HOUSING: THERMOPLASTIC, HIGH TEMP, UL94V-0, COLOR: BLACK.
 - 1.2 CONTACTS: COPPER ALLOY.
 - 1.3 HOLDDOWN: COPPER ALLOY.
2. FINISH:
 - 2.1 CONTACT:
 - SELECTIVE GOLD PLATING ON CONTACT AREA.
 - 100µ" MIN. MATTE TIN PLATING ON SOLDER TAILS,
 - 50µ" MIN. NICKEL UNDERPLATING OVERALL.
 - 2.2 HOLDDOWN:
 - 100µ" MIN. MATTE TIN PLATING WITH 50µ" MIN. NICKEL UNDERPLATE OVERALL.

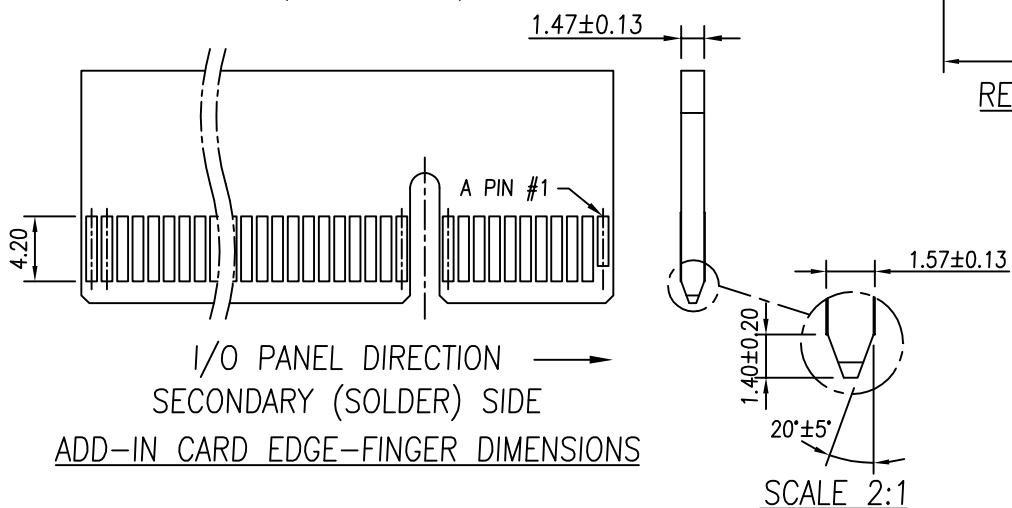


| | | | | | | | |
|----------------|----------------------------|------------------------|-----------------|--------------------------|--|-----------------------|------------|
| MM (INCH) | | DFTO Roy | DATE 11/14/2012 | Pulse Electronics | | RoHS Compliant | |
| DETACHED LISTS | TOLERANCES EXCEPT AS NOTED | | CHKD | DATE | TITLE PCI EXPRESS SMT TYPE WITH POST | | |
| | MM | ± | APPVL | DATE | | | |
| | .40 ± 0.40 | ± | MATERIAL : | | | | |
| | .30 ± 0.30 | ± | ANGLES ± 0.5° | QTY : | DRAWING NO. E9002-XXX-XX | | SIZE A3 |
| .20 ± 0.20 | ± | THIRD ANGLE PROJECTION | FINISH : | /PART NO. E9002-XXX-XX | | REV 01 | |
| .10 ± 0.10 | ± | | SCALE : 1:1 | DO NOT SCALE DRAWING | | SHEET 1 OF 3 | |

| REVISION RECORD | | |
|-----------------|-------------|------|
| REV | DESCRIPTION | DRFT |
| | | |



RECOMMENDED PCB LAYOUT, POST TYPE



| DIMENSIONS | | | | | |
|------------|---------|---------|---------|----------|---------|
| POSITION | A ±0.10 | F ±0.10 | C ±0.10 | G | H ±0.10 |
| 36 | 6 | 8.15 | 9.15 | B PIN#17 | 28.00 |
| 64 | 20 | 22.15 | 23.15 | B PIN#31 | 42.00 |
| 98 | 37 | 39.15 | 40.15 | B PIN#48 | 59.00 |
| 164 | 70 | 72.15 | 73.15 | B PIN#81 | 92.00 |

| | | | | | | | |
|----------------|----------------------------|-------------|------------|------------------------|--|-----------------------|------|
| DETACHED LISTS | | | DFTO Roy | DATE 11/14/2012 | | RoHS Compliant | |
| | TOLERANCES EXCEPT AS NOTED | | CHKD | DATE | | | |
| | MM | | APPVL | DATE | TITLE PCI EXPRESS SMT TYPE WITH POST | | |
| | .0 ± 0.40 | ± | MATERIAL : | | | | |
| | .0 ± 0.30 | ± | QT'Y : | | DRAWING NO. E9002-XXX-XX | | SIZE |
| .00 ± 0.20 | ± | FINISH : | | /PART NO. E9002-XXX-XX | | A3 | 01 |
| .000 ± 0.10 | ± | SCALE : 1:1 | | DO NOT SCALE DRAWING | | SHEET 2 OF 3 | |

| REVISION RECORD | | |
|-----------------|-------------|------|
| REV | DESCRIPTION | DRFT |
| | | |

| PRAT NUMBER | DESCRIPTION | PLATING Au | No.of Pins | Packing |
|--------------|---------------------------------------|------------|------------|---------------|
| E9002-001-01 | PCI Express Connector, Vertical, SMT, | 1u" | 36pin | Tray with cap |
| E9002-001-02 | | 15u" | 36pin | |
| E9002-002-01 | | 1u" | 64pin | |
| E9002-002-02 | | 15u" | 64pin | |
| E9002-003-01 | | 1u" | 98pin | |
| E9002-003-02 | | 15u" | 98pin | |
| E9002-004-01 | | 1u" | 164pin | |
| E9002-004-02 | | 15u" | 164pin | |

| | | | | | | | | |
|----------------|----------------------------|------------------------|------------|------------------------|--|-----------------------|------|-----|
| DETACHED LISTS | | | DFTO Roy | DATE 11/14/2012 | | RoHS Compliant | | |
| | TOLERANCES EXCEPT AS NOTED | | CHKD | DATE | | | | |
| | MM | | APPVL | DATE | TITLE PCI EXPRESS SMT TYPE WITH POST | | | |
| | . ± 0.40 | ± | MATERIAL : | | | | | |
| | .0 ± 0.30 | ± | QT'Y : | | DRAWING NO. E9002-XXX-XX | | SIZE | REV |
| .00 ± 0.20 | ± | FINISH : | | /PART NO. E9002-XXX-XX | | A3 | 01 | |
| .000 ± 0.10 | ± | THIRD ANGLE PROJECTION | | SCALE : 1:1 | | DO NOT SCALE DRAWING | | |