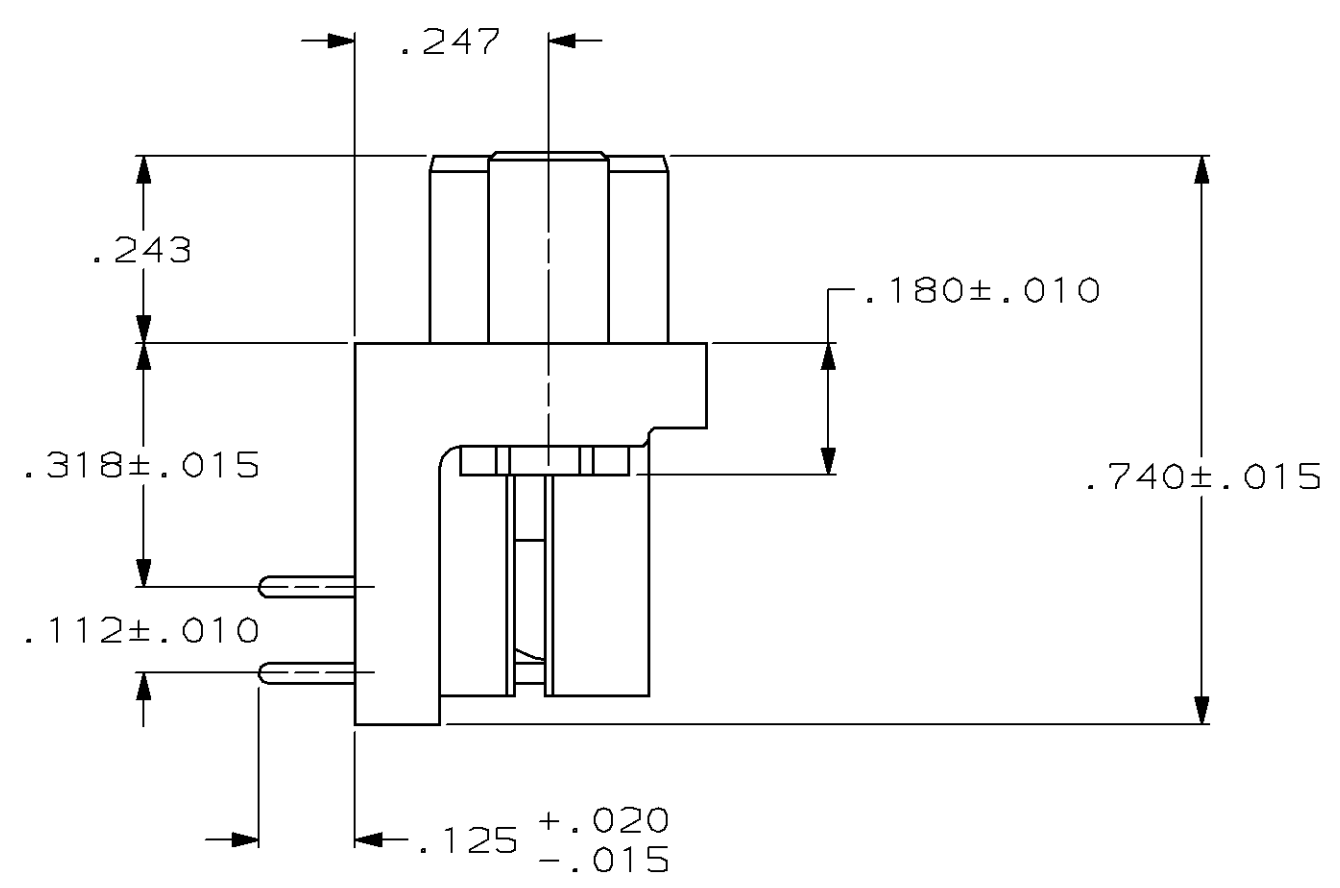
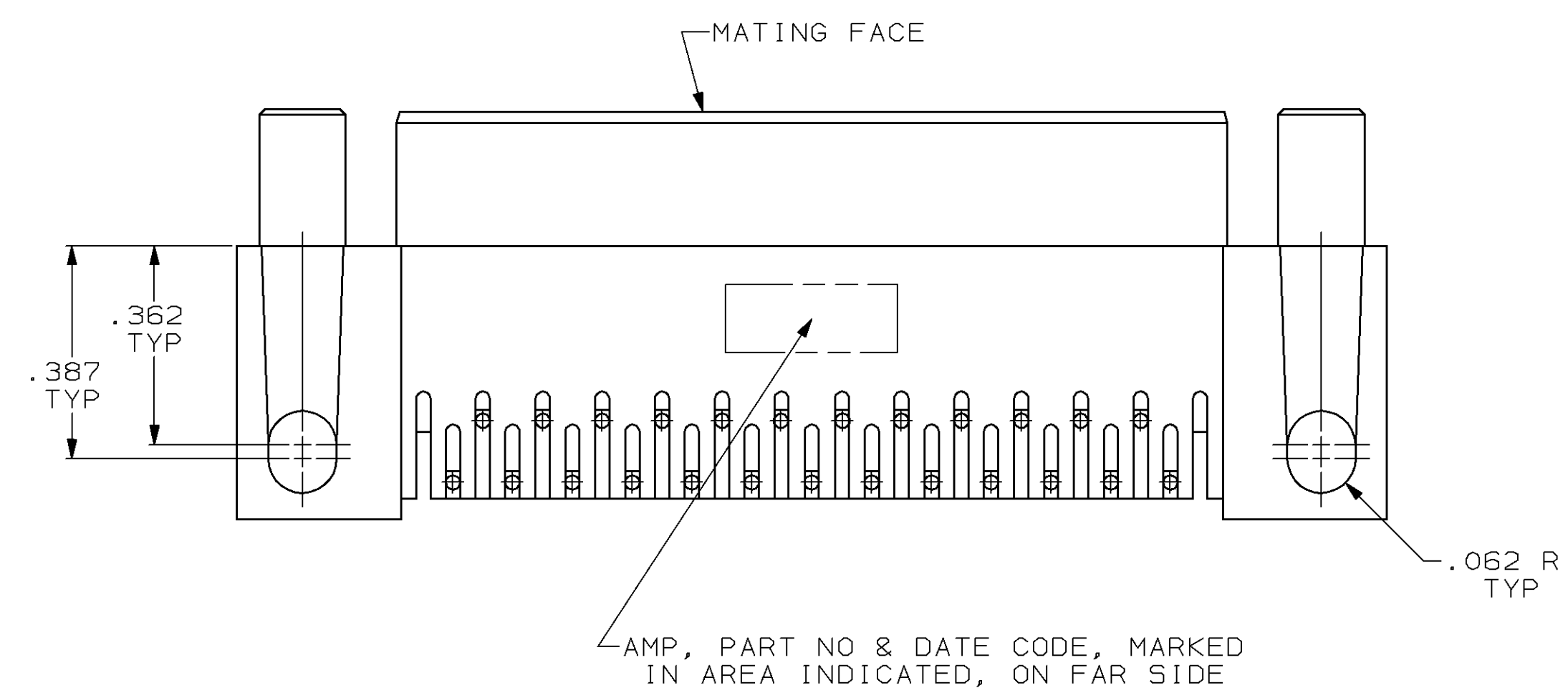
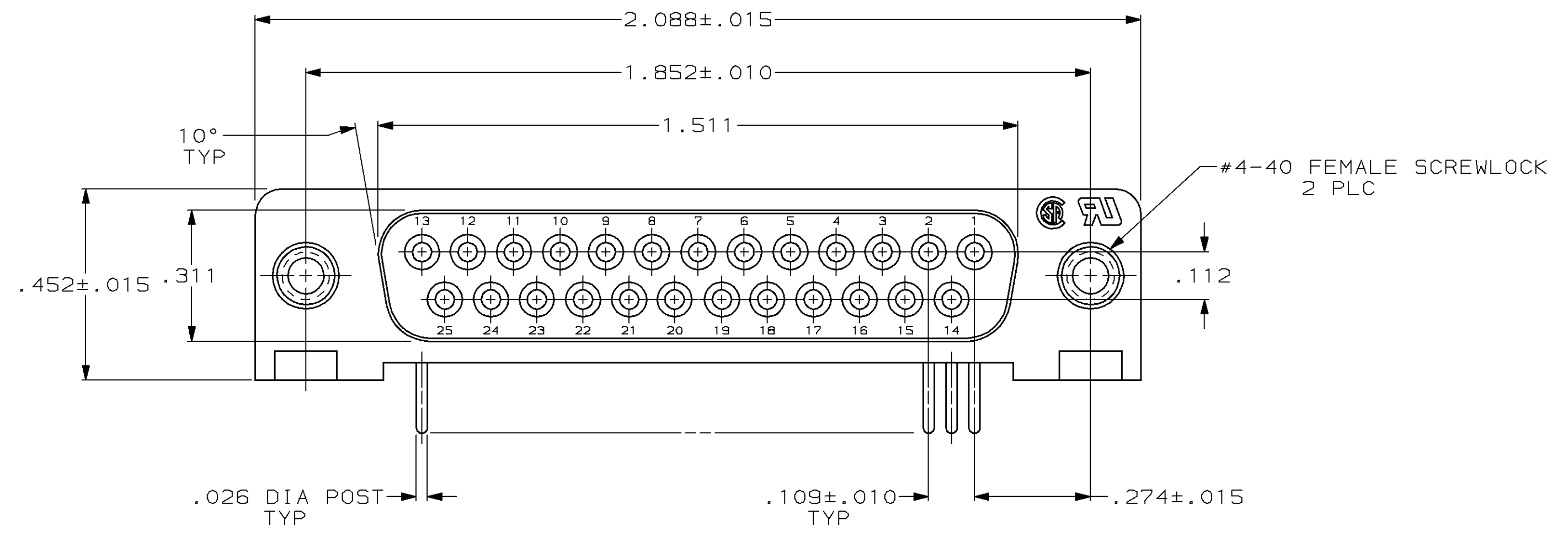
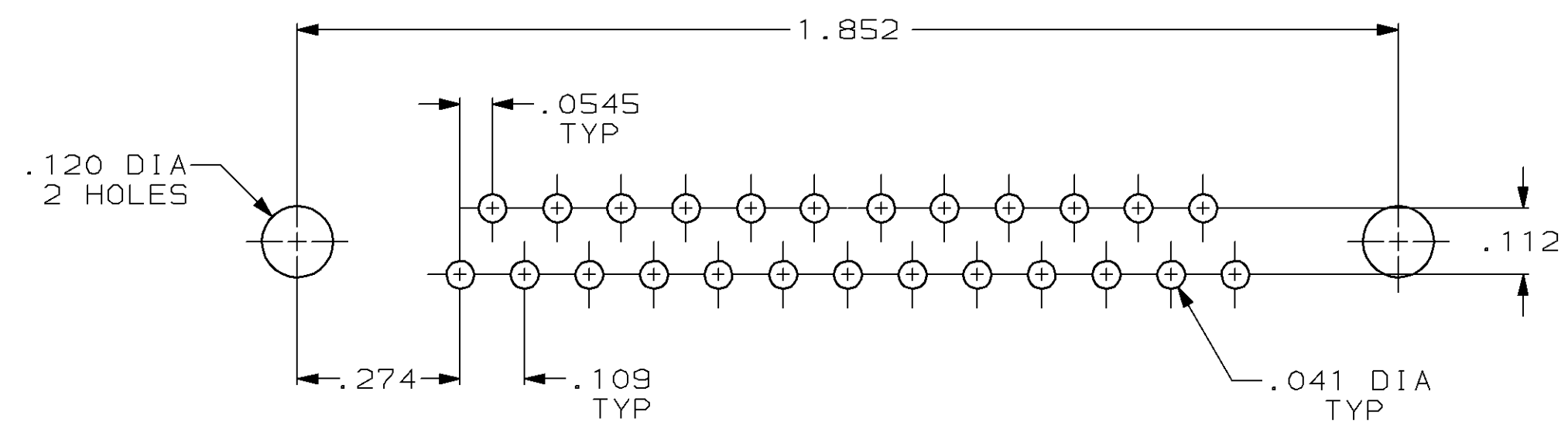


DRAWING MADE IN THIRD ANGLE PROJECTION
 THIS DRAWING IS UNPUBLISHED. RELEASED FOR PUBLICATION
 © COPYRIGHT 19 BY AMP INCORPORATED, HARRISBURG, PA. ALL INTERNATIONAL RIGHTS RESERVED. AMP PRODUCTS MAY BE COVERED BY U.S. AND FOREIGN PATENTS AND/OR PATENTS PENDING.

| LOC | | DIST | | REV | | ZONE | | LTR | | REVISIONS | | DATE | APPD |
|-----|----|------|--|-----|--|------|--|-----|--|-----------|-----------------------------|-----------|------|
| BD | 77 | | | | | | | | | D | REV PER EC 0020-983-95 | 15 DEC 95 | RT |
| | | | | | | | | | | E | SUPSD -1 PER EC 0020-570-96 | 28 FEB 97 | RT |



- ① FLAME RETARDANT, 94V-0 RATED, GLASS FILLED NYLON OR POLYESTER, COLOR: BLACK.
- ② PHOS. BRONZE PER QQ-B-750.
- ③ REFER TO APPLICATION SPEC FOR RECOMMENDED P.C. BOARD MOUNTING DIMENSIONS FOR AUTOMATIC INSERTION.
- ④ GOLD PLATING PER MIL-G-45204, TIN PLATING PER MIL-T-10727, NICKEL PLATING PER QQ-N-290.
- ⑤ PLATED WITH GOLD FLASH FOR LENGTH OF .055 MIN FROM MATING END, WITH POINT OF MEASUREMENT .035 FROM MATING END OF CONTACT, .000100-.000200 TIN OR TIN-LEAD ON SOLDER END, ALL OVER .000050 NICKEL ON ENTIRE CONTACT.
- ⑥ PLATED WITH .000030 GOLD FOR LENGTH OF .055 MIN FROM MATING END, WITH POINT OF MEASUREMENT .035 FROM MATING END OF CONTACT, .000100-.000200 TIN OR TIN-LEAD ON SOLDER END, ALL OVER .000050 NICKEL ON ENTIRE CONTACT.



P.C. BOARD MOUNTING DIMENSIONS ③

| | | | | |
|--|--|----------------------|---|---|
| UNLESS OTHERWISE SPECIFIED DIMENSIONS ARE IN INCHES TOLERANCES ON: | | DR 5-5-87 S.WELDON | AMP AMP INCORPORATED Harrisburg, Pa. 17105 | 745397 -2 |
| 2 PL DEC ± .005 | | CHK 5-5-87 C.RICHARD | | 745397 -1 |
| 3 PL DEC ± .005 | | APPD 5-5-87 B.TAYLOR | | FINISH PART NUMBER |
| ANGLES ± 2° | | APPD 5-5-87 J.ASSINI | PRODUCT SPEC | RECEPTACLE ASSY, SIZE 3, 25 POSN, RIGHT ANGLE, .318 SERIES, .026 DIA POSTS, W/ FEMALE SCREWLOCKS AMPLIMITE® HD-20 |
| MATERIAL | | 108-40005 | SIZE | F5CM NO |
| MOLDED PARTS: ① | | APPLICATION SPEC | D | 00779 |
| CONTACTS: ② | | 114-40015 | SCALE | 4:1 |
| SCREWLOCKS: ④ | | WEIGHT | - | DRAWING NO |
| CONTACTS: SEE TABLE | | | | 745397 |
| SCREWLOCKS: CLEAR CHROMATE | | | | SHEET 1 of 1 |