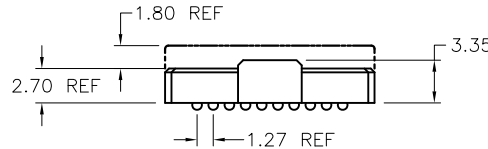
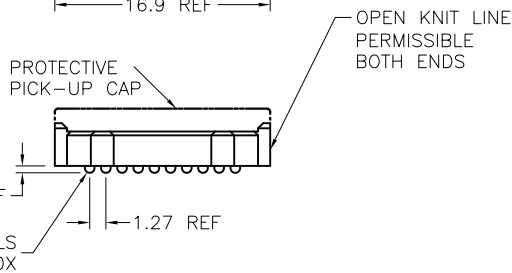
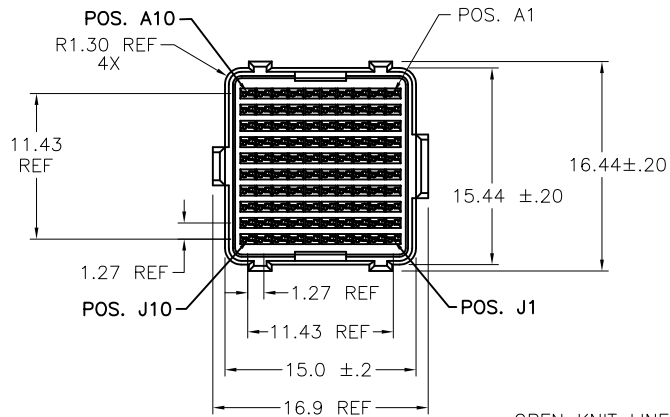


PRODUCT NUMBER	PICK-UP CAP (NATURAL OR BLACK COLOR)	CONTACT PLATING AND THICKNESS	SOLDER BALL	NOTES
84513-001	YES	15u" (.38um) Au	SnPb	
84513-001LF	YES	15u" (.38um) Au	LEAD FREE	5
84513-091	YES	15u" (.38um) GXT	SnPb	
84513-091LF	YES	30u" (.76um) GXT	LEAD FREE	5
84513-101	YES	30u" (.76um) Au	SnPb	
84513-101LF	YES	30u" (.76um) Au	LEAD FREE	5
84513-191	YES	30u" (.76um) GXT	SnPb	
84513-191LF	YES	30u" (.76um) GXT	LEAD FREE	5
84513-201	YES	50u" (1.27um) Au SPECIAL	SnPb	3
84513-201LF	YES	50u" (1.27um) Au SPECIAL	LEAD FREE	3 AND 5
84513-291	YES	50u" (1.27um) GXT SPECIAL	SnPb	3
84513-291LF	YES	50u" (1.27um) GXTSPECIAL	LEAD FREE	3 AND 5
<del>84513-301</del>	<del>YES</del>	<del>15u" (.38um) Au SPECIAL</del>	<del>SnPb</del>	<del>6</del>
<del>84513-301LF</del>	<del>YES</del>	<del>15u" (.38um) Au SPECIAL</del>	<del>LEAD FREE</del>	<del>5 AND 6</del>
<del>84513-401</del>	<del>YES</del>	<del>30u" (.76um) Au SPECIAL</del>	<del>SnPb</del>	<del>6</del>
<del>84513-401LF</del>	<del>YES</del>	<del>30u" (.76um) Au SPECIAL</del>	<del>LEAD FREE</del>	<del>5 AND 6</del>
<del>84513-501</del>	<del>YES</del>	<del>Au SPECIAL</del>	<del>SnPb</del>	<del>3 AND 6</del>
<del>84513-501LF</del>	<del>YES</del>	<del>Au SPECIAL</del>	<del>LEAD FREE</del>	<del>3, 5 AND 6</del>



mat'l. code		surface		tolerance		projection		product family	
-		ASME Y14.5		ASME Y14.5		ASME Y14.5		MEG-Array	
ltr	ecn no	dr	date	tolerances unless otherwise specified		MM		title	
H	V07-0663	LP	2007-10-29	angles	X ±3	MM		4mm RECP. ASSY.	
J	V12-0026	DCH	2012-05-11		XX ±10	1:1		10 X 10 = 100 POS.	
K	V12-0030	RE	2012-08-09	0' ±2'	XXX ±050	scale		sheet 1 of 3 size	
L	V12-0045	DCH	2012-11-19	dr	D.WAUGHEN	2000-03-08		dwg no	
-	-	-	-	engr	B.SPINK	2000-03-08		84513	
F	V05-1071	DAI	2005-12-21	chr	B.SPINK	2000-03-08		A4	
G	V06-0560	LP	2006-07-14	appd	B.SPINK	2000-03-08		type	
sheet		revision	L	L	L			CUSTOMER Drawing	
index		sheet	1	2	3				

NOTES:

①. MAT'L

HOUSING: LCP  
CONTACT: COPPER ALLOY

PLATING

CONTACT: (SEE TABLE ON SHEET1)  
SOLDER BALL: (SEE TABLE ON SHEET1)  
EUTECTIC SnPb OR LEAD FREE  
95.5Sn/4Ag/0.5Cu


2. OVERALL BOARD-TO-BOARD STACK  
HEIGHT WHEN MATED TO P/N 84512  
100 POSITION 0mm RECPT. IS 4.0mm REF.

③. PLATING FOR INDICATED -2XX SERIES PRODUCT  
NUMBERS MEET THE REQUIREMENTS OF  
GR-1217-CORE, CENTRAL OFFICE ENVIRONMENT,(25 YEAR LIFE  
EXPECTANCY). THE CONTACTS ON THESE PRODUCT NUMBERS  
ALSO HAVE SPECIAL CONTACT GEOMETRY.

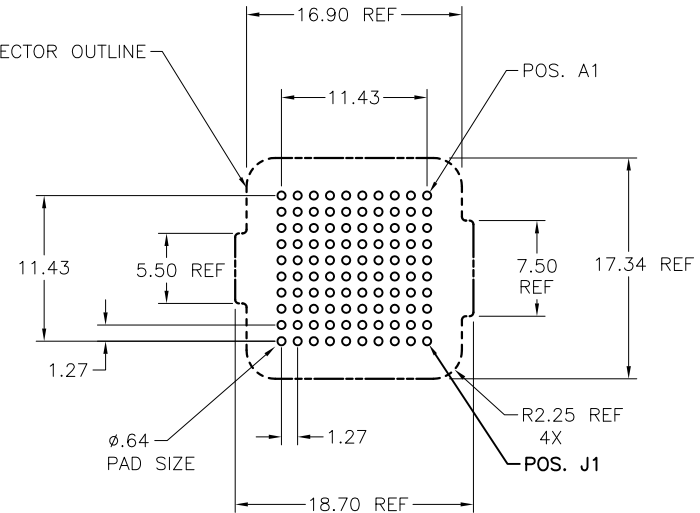
④. FOR PROPER APPLICATION FOLLOW FCI APPLICATION  
SPECIFICATION GS-20-033 LEAD FREE SOLDER BALLS WILL  
NOT SOLDER PROPERLY IN A LEADED SOLDER PROCESS  
DUE TO A HIGHER REFLOW TEMPERATURE. LEAD FREE  
PRODUCT IS THEREFORE NOT BACKWARDS COMPATIBLE WITH  
LEADED OR SOME SOLDERING APPLICATIONS. REFERENCE  
FCI APPLICATION SPECIFICATION

⑤. THIS PRODUCT MEETS EUROPEAN UNION DIRECTIVES AND  
OTHER COUNTRY REGULATIONS AS DESCRIBED IN GS-47-0004  
PRODUCT MEETING THIS DIRECTIVE IS IDENTIFIED IN THE LOT  
CODE NUMBER MARKED ON EACH PART BY HAVING AN "X"  
IN THE SEVENTH CHARACTER POSITION

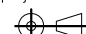

⑥. 84513-301, -301LF, -401, -401LF, -501, AND -501LF  
ARE OBSOLETE.

⑩. A  SYMBOL WILL BE NEXT TO ANY DIMENSION, NEW VIEW OR  
NOTE WHICH HAS BEEN MODIFIED WITH THE CURRENT  
DRAWING REVISION

STENCIL MATED CONNECTOR OUTLINE  
ONTO BOARD.



BOARD PATTERN

mat'l. code		surface		tolerance		projection		product family	
-		ASME Y14.5		ASME Y14.5				MEG-Array	
ltr	ecr no	dr	date	tolerances unless otherwise specified					
L				angles	X ±3		MM		title
				linear	.XX ±10		scale 1:1		4mm RECPT. ASSY.
				0° ±2'	XXX ±050				10 X 10 = 100 POS.
				dr	D.VAUGHEN	2000-03-08			dwg no
				engr	B.SPINK	2000-03-08			sheet 2 of 3
				chr	B.SPINK	2000-03-08			size
				appd	B.SPINK	2000-03-08			84513
sheet	revision								
index	sheet								
									A4
									type
									CUSTOMER Drawing



Copyright FCI

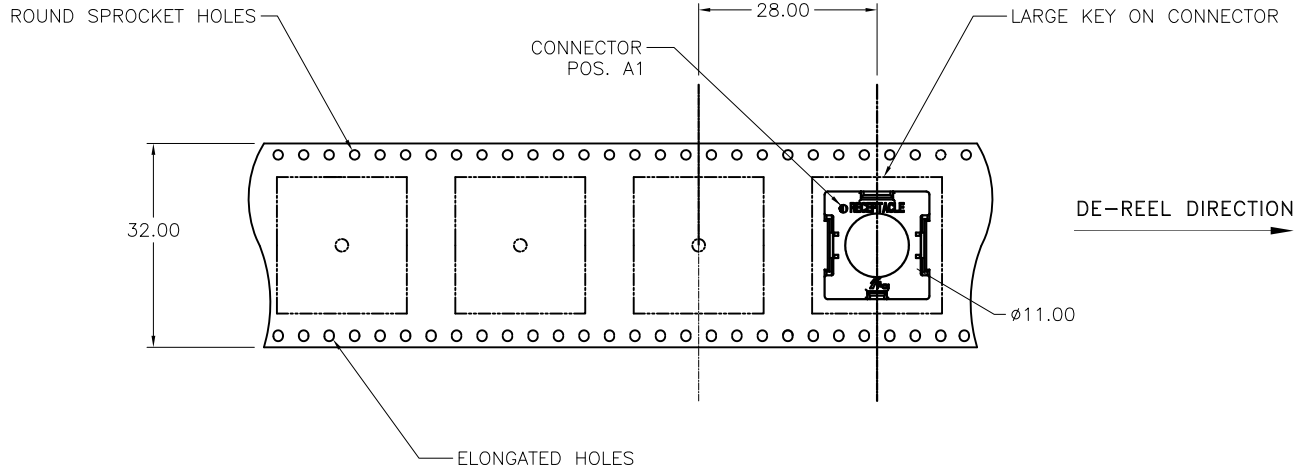
1 | 2



3 |



4



mat'l. code		surface		tolerance		projection		product family	
-		ASME Y14.5		ASME Y14.5				MEG-Array	
ltr	ecn no	dr	date	tolerances unless otherwise specified					
L				angles	mm	X ±3	MM		
				0° ±2'		.XX ±10	scale 1:1		
						XXX ±0.50			
		dr	D.WAUGHEN	2000-03-08					
		enr	B.SPINK	2000-03-08					
		chr	B.SPINK	2000-03-08					
		appd	B.SPINK	2000-03-08					
sheet	revision								
index	sheet								
								title	
								4mm RECEPT. ASSY.	
								10 X 10 = 100 POS.	
								dwg no	
								sheet 3 of 3	
								size	
								A4	
								type	
								CUSTOMER Drawing	

form: A4mmXLC

1 |

2 |

3 |

4