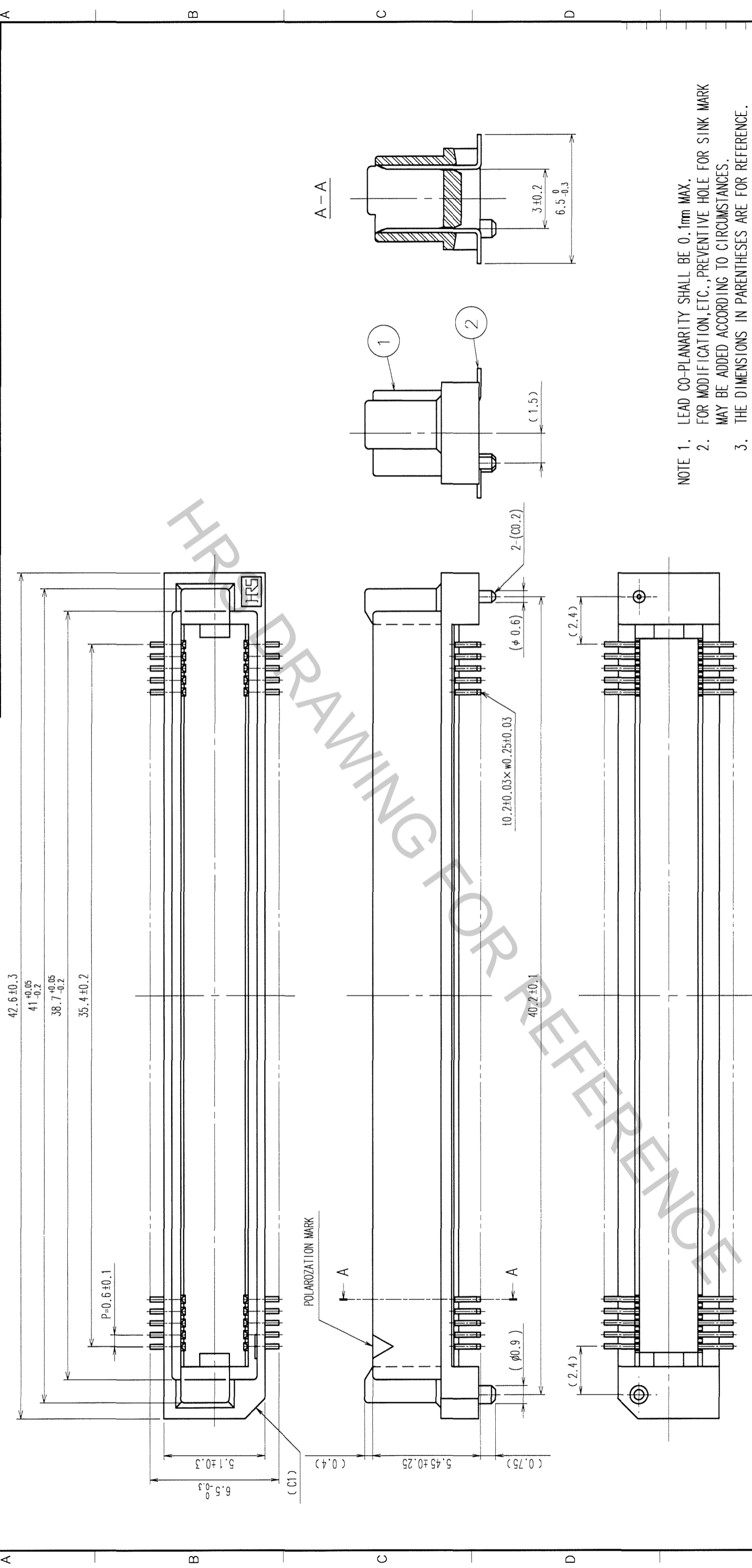
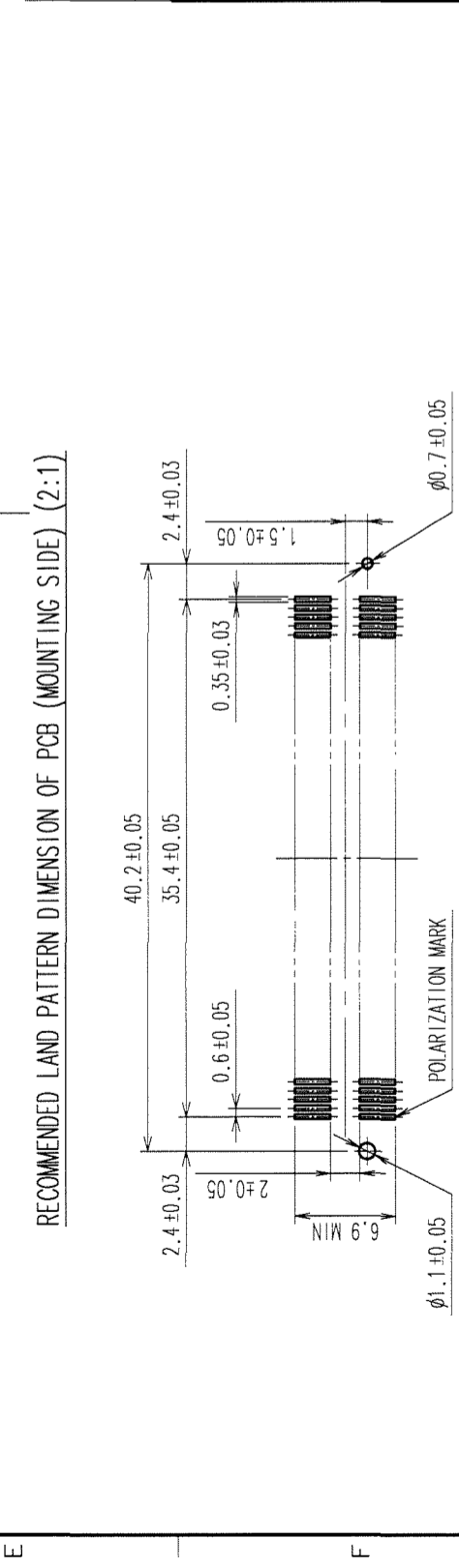


NO.	DESCRIPTION OF REVISIONS	BY	CHKD	DATE	COUNT	DESCRIPTION OF REVISIONS	BY	CHKD	DATE
1					1				
2					1				
3					1				
4					1				
5					1				



NOTE 1. LEAD CO-PLANARITY SHALL BE 0.1mm MAX.  
 2. FOR MODIFICATION, ETC., PREVENTIVE HOLE FOR SINK MARK MAY BE ADDED ACCORDING TO CIRCUMSTANCES.  
 3. THE DIMENSIONS IN PARENTHESES ARE FOR REFERENCE.

1	PPS	LIGHT BROWN (UL94V-0)	2	PHOSPHOR BRONZE	CONTACT AREA: GOLD 0.1μm min. LEAD AREA: TIN-PLATING 1μm min. UNDER PLATING: NICKEL 1μm min.
NO. MATERIAL		FINISH, REMARKS		MATERIAL FINISH, REMARKS	
CODE NO. (OLD) CL		DRAWN K. NAKAMURA		DESIGNED K. NAKAMURA	
SCALE 5 : 1		DATE 05.12.16		DATE 05.12.16	
UNITS mm		PART NO. FX8C-120P-SV1(71)		APPROVED H. Okawa	
DRAWING NO. EDC3-150834-25		FINISH, REMARKS		RELEASED	
HRS		HIROSE ELECTRIC CO., LTD.		CODE NO. CL578-0526-0-71	



TO  
PCK