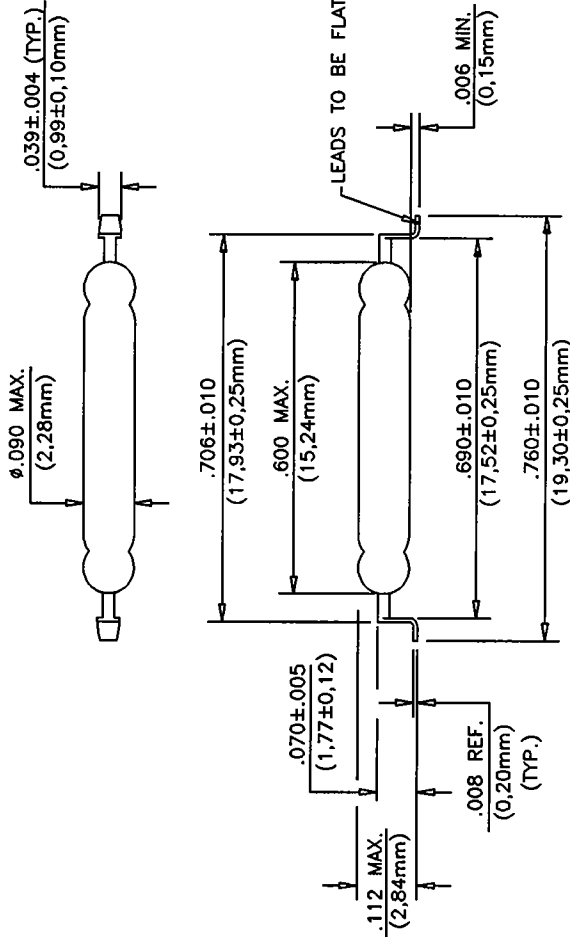
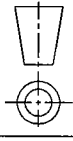


ELECTRICAL RATINGS		
CONTACT FORM	A	
CONTACT RATING	10	
RATING SENSITIVITY	WATTS	20
VOLTAGE	SWITCHING	VDC-MAX. 200
	BREAKDOWN	VDC-MIN. 250
	ARC-QUENCH	VDC-MIN. 200
CURRENT	SWITCHING	AMPERES-MAX. 0.5
	CARRY	AMPERES-MAX. 1.2
RESISTANCE	CONTACT, INITIAL	OHMS-MAX. 0.10
	INSULATION	OHMS-MIN. 10 ¹⁰
CAPACITANCE	PICOFARADS-TYP. 0.2	

OPERATING CHARACTERISTICS	
OPERATE TIME	ms-MAX. 0.5
RELEASE TIME	ms-MAX. 0.2
SHOCK	G'S MAX., 11ms 1/2 SINE WAVE
	G'S MAX., 50-2000 HERTZ
RESONANT FREQUENCY	HERTZ, TYP. 3900
TEMPERATURE STORAGE	OPERATING DEGREES, CELSIUS -40 TO +125
	DEGREES, CELSIUS -65 TO +125

SEE REED SWITCH CATALOG FOR DEFINITION OF TERMS



TIN PLATED LEADS

MAGNETIC CHARACTERISTICS	
TEST COIL	L4989
STANDARD TOLERANCE	AMPERE TURNS 12-23
PULL-IN RANGES BEFORE MOD.	17-28
	22-33
	27-36

PACKAGING TAPE AND REEL -3000/REEL
SEE PAGE 2 OF 2 FOR TAPE AND REEL
DETAIL.

© HAMLIN, Incorporated
1996

This design and print is copyright and is the property of HAMLIN, Inc. It must not be copied or permitted to be copied, nor may its contents be divulged to any third party without the prior written permission from the company.

MDSM-4R

HAMLIN, Inc.

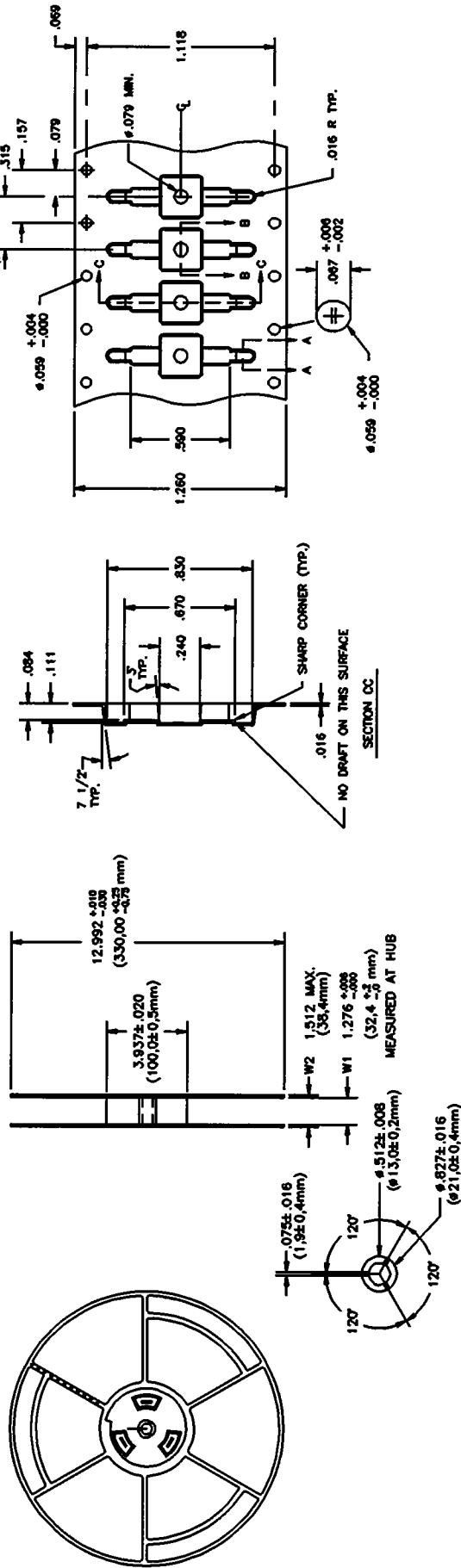
DCR No. A5406

AD	ADD DIM TO OUTSIDE LEG FORM	A9340	GJ	11/5/01	GJ	11/7/01
REV.	DESCRIPTION OF REVISION	DCR No.	BY	DATE	APP.	DATE

Dwn.	RLB	DATE	12/17/96
App'd	GJ	DATE	12/18/96

D10-5277

Page 1 of 2



MATERIAL: ANTISTATIC PS

MDSM-4R

HAMLIN, Inc.

DCR No. A5406

REV.	DESCRIPTION OF REVISION	DCR No.	BY	DATE	APP.	DATE
AD	ADD DIM TO OUTSIDE LEG FORM	A9340	GJ	11/5/01	GJ	11/7/01