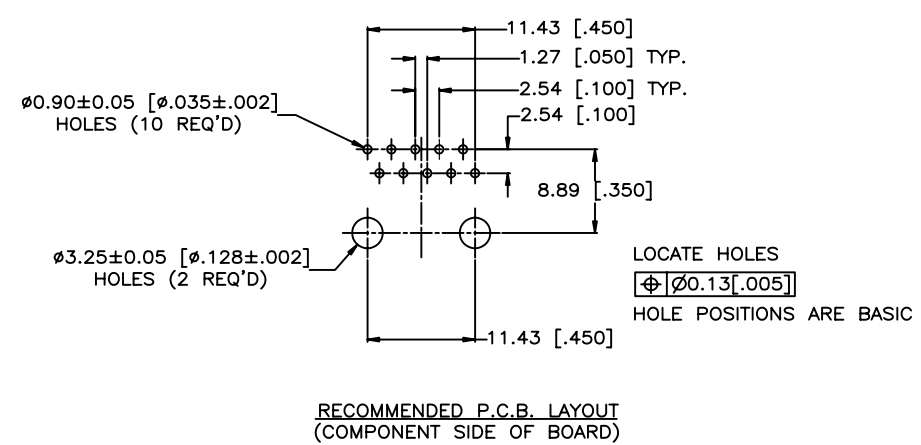
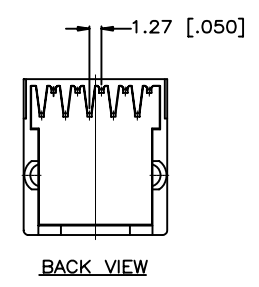
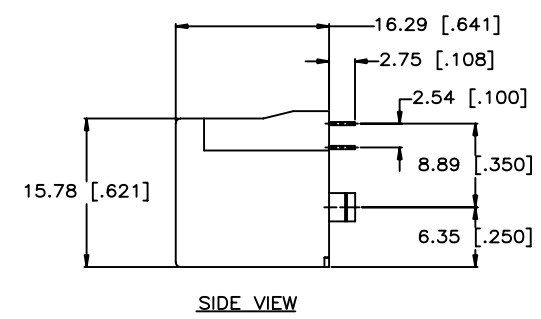
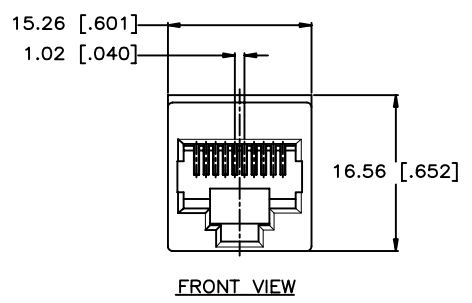
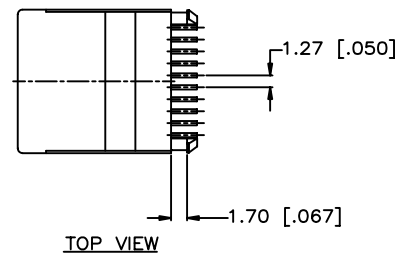


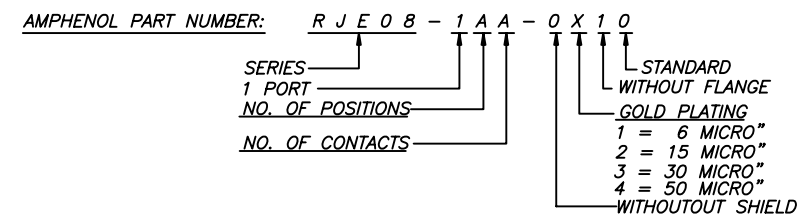
REVISIONS				
SYM	ZONE	ECN, ERN NO.	DATE	APPRD.
A		PROPOSAL	05/04/05	



**MATERIALS:**

HOUSING: ENGINEER THERMOPLASTIC  
FLAMMABILITY RATING UL94V-0

CONTACTS: PHOSPHOR BRONZE  
GOLD PLATING (PER P/N TABLE)  
OVER NICKEL,  
TIN PLATING TAILS



DRAWN PAUL WANG	DATE 05/04/05	Amphenol Canada Corp.		
DESIGNED		TITLE RJ45 CONNECTOR, TOP ENTRY, 10 POSITIONS, 10 CONTACTS, P.C.B. MOUNT, UNSHIELDED - RoHS COMPLIANT		
CHECKED				
I. E. APPRD.				
Q. A. APPRD.				
DWG. APPRD.				
ENG. REL. NO.		DWG	DRAWING NO.	REV.
REF. EAR 12704			P-RJE08-1AA-0X10	A
DIMENSIONS ARE IN MM [inches]	CODE ID. NO. 03554	SCALE	WT. -----	SURF. -----
				SHEET 1 OF 1

THIS DOCUMENT CONTAINS PROPRIETARY INFORMATION AND SUCH INFORMATION MAY NOT BE DISCLOSED TO OTHERS FOR ANY PURPOSE OR USED FOR MANUFACTURING PURPOSES WITHOUT WRITTEN PERMISSION FROM AMPHENOL CANADA CORP.