

MATERIALS AND FINISHES

BODY BRASS
PLATED NICKEL

CENTER CONTACT PHOSPHOR BRONZE
PLATED GOLD

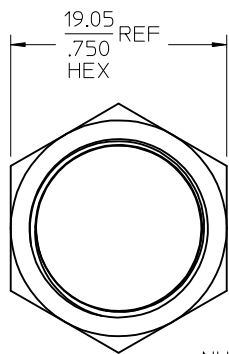
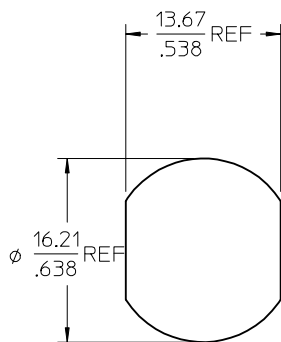
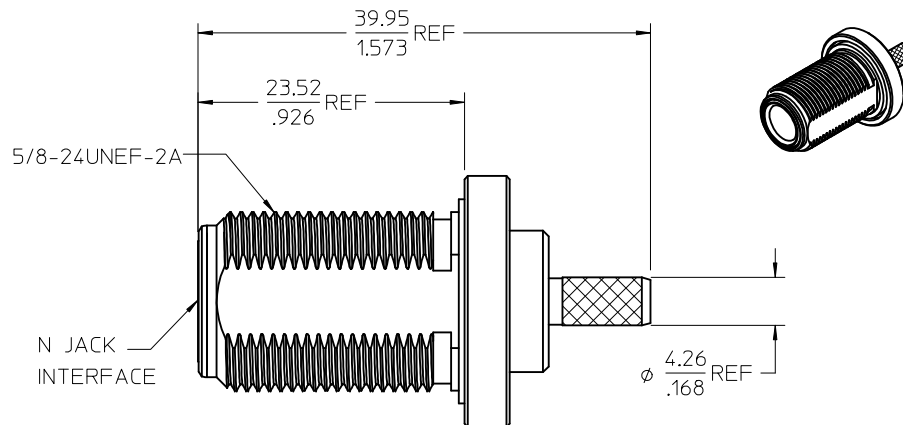
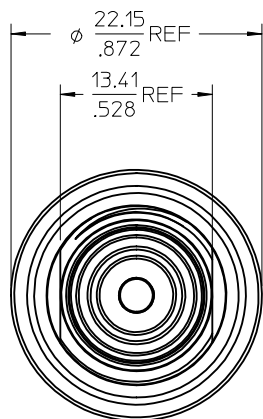
INSULATOR TEFLON

CRIMP FERRULE BRASS
PLATED NICKEL

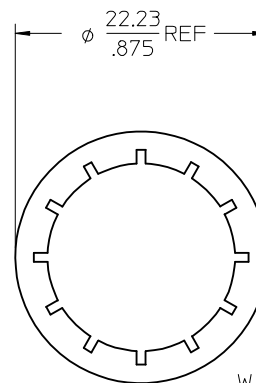
GASKET SILICONE RUBBER

WASHER PHOSPHOR BRONZE
PLATED NICKEL

NUT BRASS
PLATED NICKEL

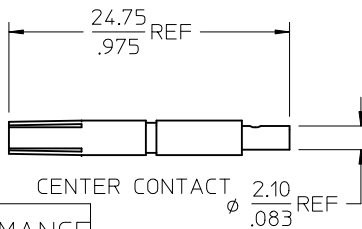


NUT

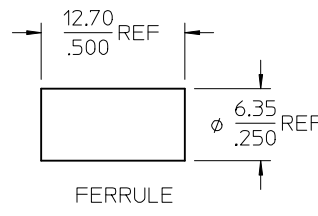


WASHER

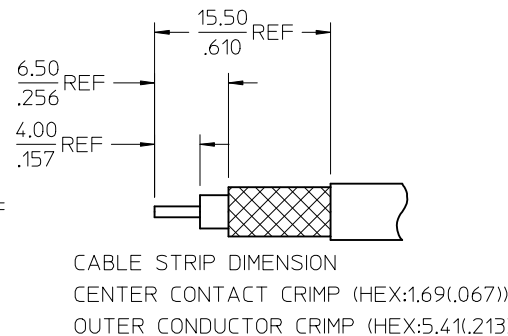
RECOMMENDED MOUNTING HOLE
MAXIMUM PANEL THICKNESS: 6.35(.25)
RECOMMENDED MOUNTING TORQUE: 229N-CM(20 IN-LBS)



CENTER CONTACT ϕ 2.10
.083 REF



FERRULE



CABLE STRIP DIMENSION
CENTER CONTACT CRIMP (HEX:1.69(.067))
OUTER CONDUCTOR CRIMP (HEX:5.41(.213))

PART # 73100-0038

PS-73598-0033	ELEC/MECH PERFORMANCE
SPECIFICATION	DESCRIPTION

CHG: REDREW TO CORRECT VIEW LINKS	EC NO: URF2006-0006 2007/11/15 DRWNS: SHAH CHKD: SHAH APPR: WIENER 2007/11/15	DESCRIPTION	QUALITY SYMBOLS ▽=0 ▽=0	GENERAL TOLERANCES (UNLESS SPECIFIED)		DIMENSION STYLE MM/IN		SCALE	DESIGN UNITS METRIC	THIRD ANGLE PROJECTION
				4 PLACES ± --- ± ---	3 PLACES ± --- ± ---	2 PLACES ± --- ± ---	1 PLACE ± --- ± ---	ANGULAR ± 2 °	DRAWN BY R FIELDS	DATE 1993/05/26
DRAFT WHERE APPLICABLE MUST REMAIN WITHIN DIMENSIONS				MATERIAL NO. 731000038		DOCUMENT NO. SD-73100-0038		SHEET NO. 1 OF 1		