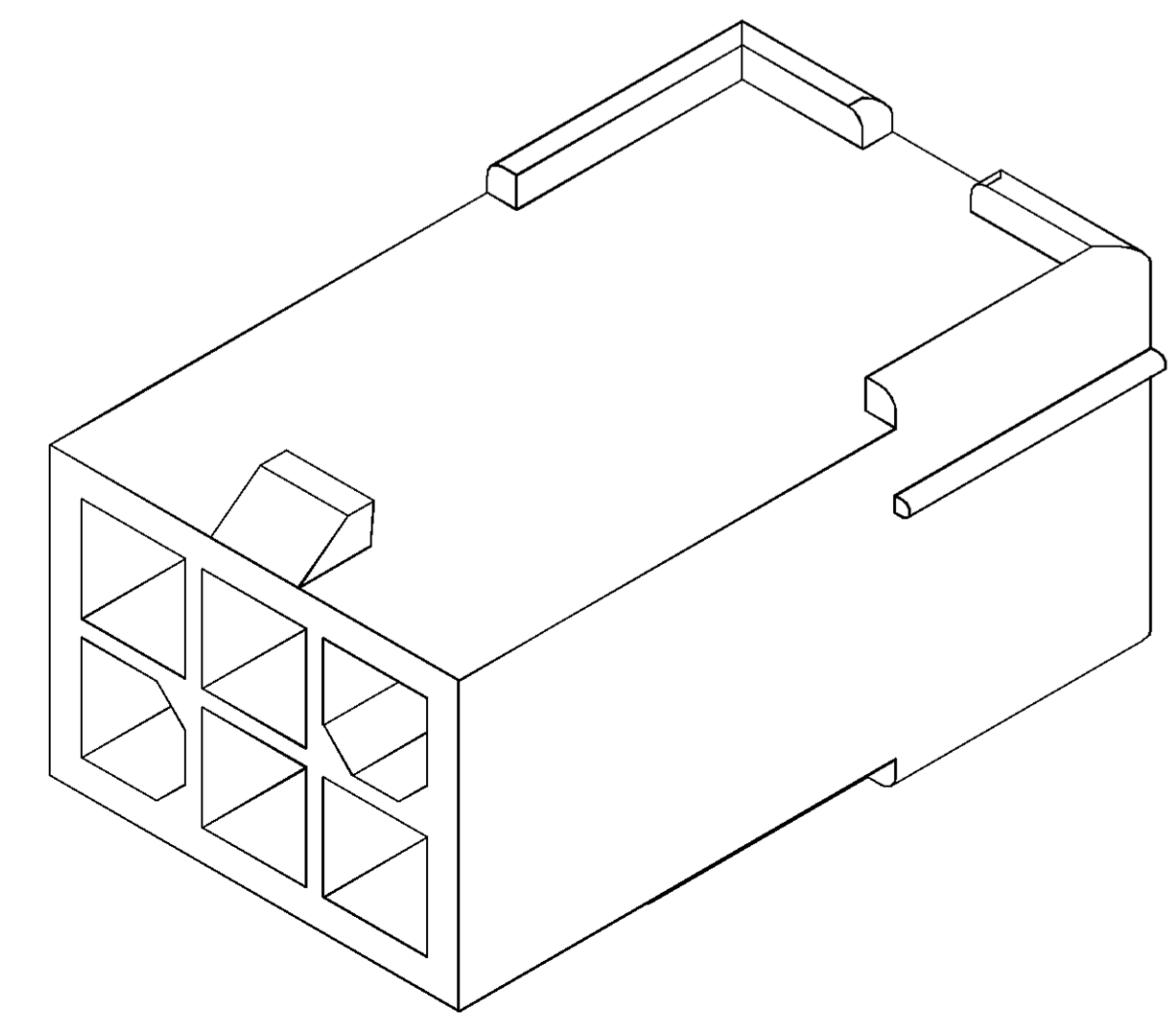
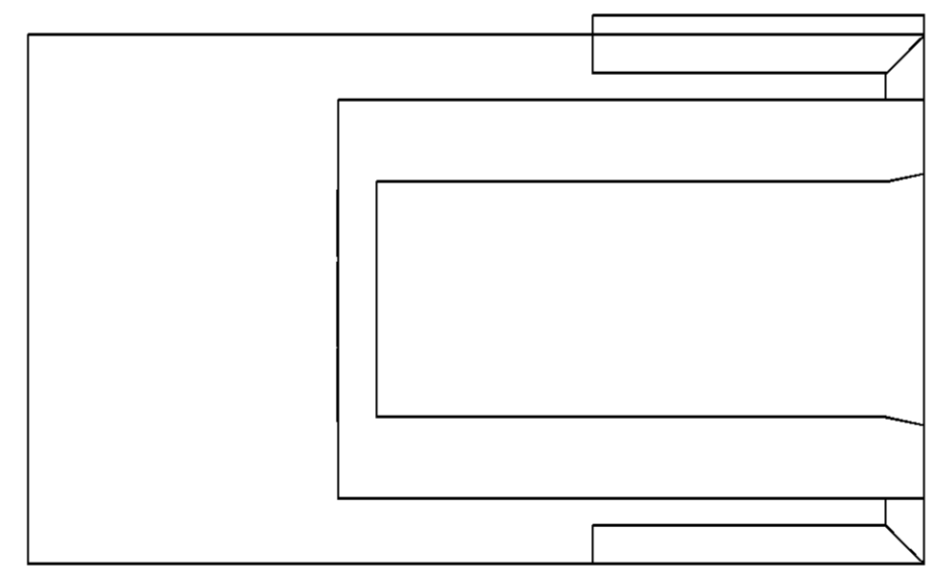
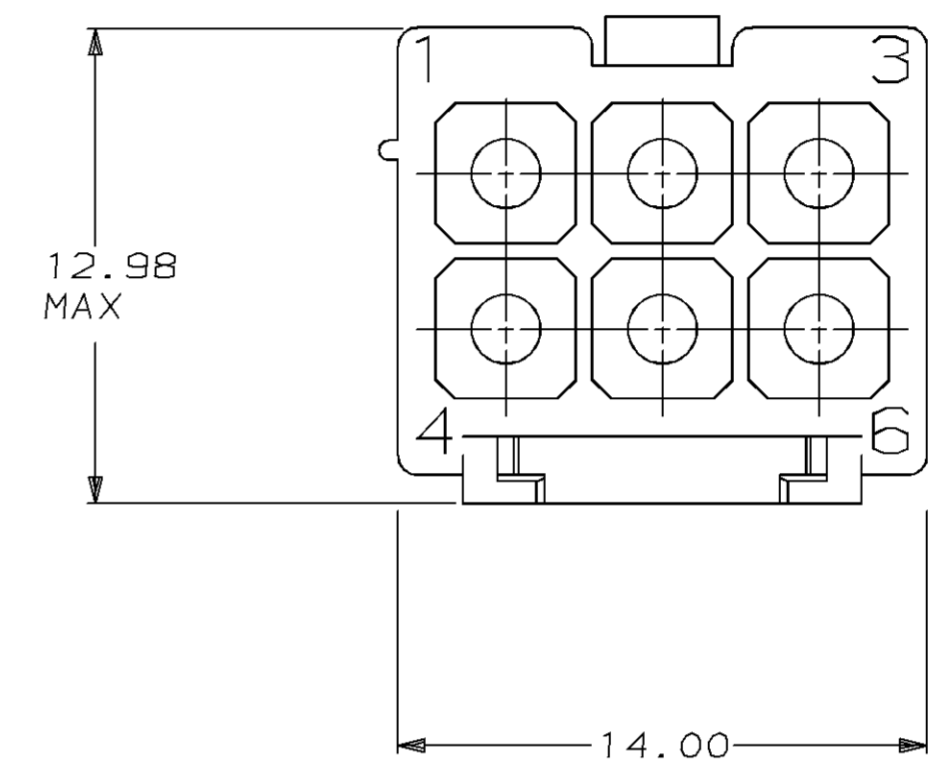
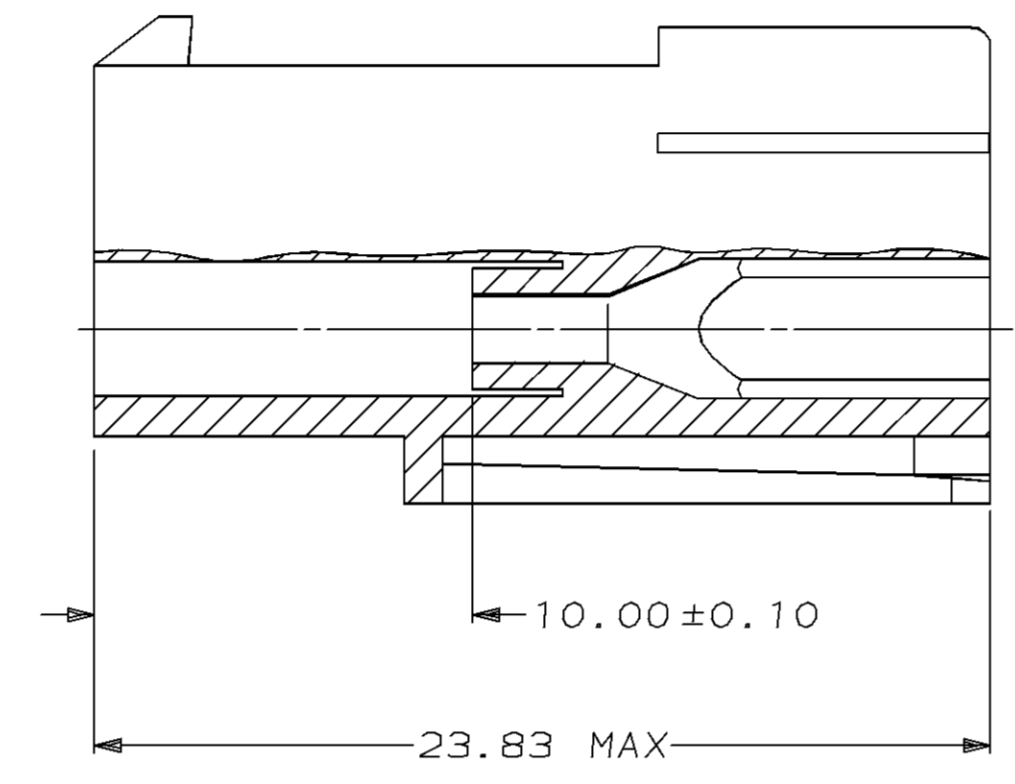
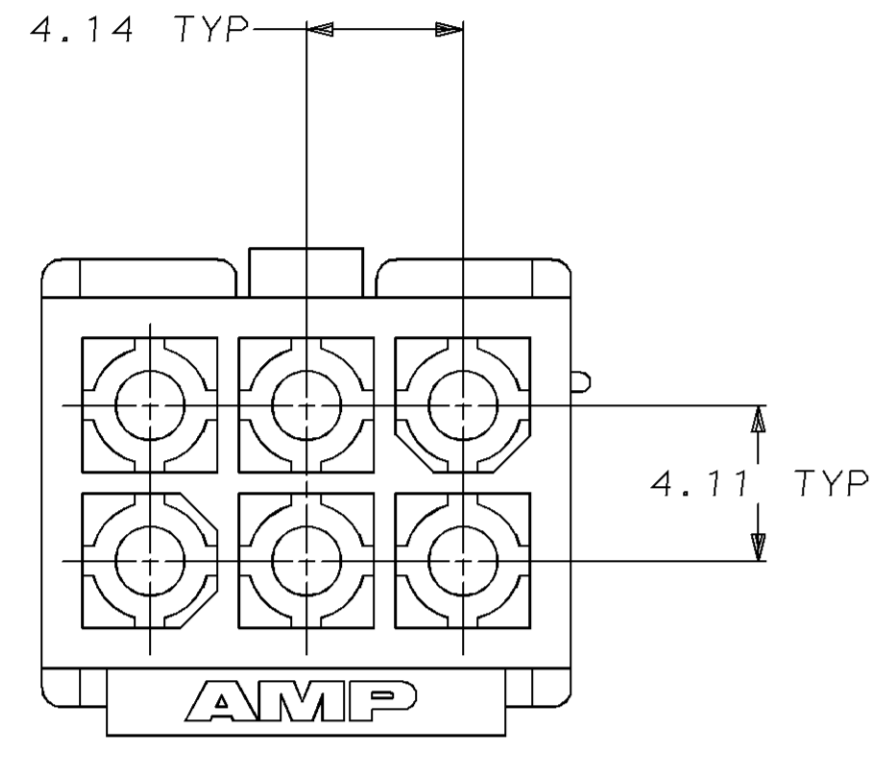


LOC		DIST		P		F		ZONE		LTR		REVISIONS		
CM	53											DESCRIPTION	DATE	APPD
												0 RLSD PER PR CM 94-119	10-13-94	KS RS



3-DIMENSIONAL MODEL
NTS

	-	-	-	-
4.14	.163	23.83	.938	
4.11	.162	14.00	.551	
0.13	.005	13.21	.520	
0.10	.004	10.00	.394	
MM	IN	MM	IN	

CONVERSION TABLE

METRIC

THIS DRAWING IS A CONTROLLED DOCUMENT FOR AMP INCORPORATED. IT IS SUBJECT TO CHANGE AND THE CONTROLLING ENGINEERING ORGANIZATION SHOULD BE CONTACTED FOR THE LATEST REVISION.

DO NOT SCALE PRINT. UNLESS SPECIFIED DIMENSIONS IN mm [INCHES] TOLERANCES ON:		DR 10-13-94 K. SALMON	AMP Incorporated Harrisburg, PA 17105-3608	
1 PLC DEC ± 0.13	2 PLC DEC ± -	CHK 10-13-94 R. SWING		
3 PLC DEC ± -	ANGLES ± -	APPD 10-13-94 R. ORSTAD	NAME	
MATERIAL	NYLON, UL 94V-2 NATURAL	APPD 10-13-94 R. ORSTAD	CAP, 6 CIRCUIT, MINI UNIVERSAL MATE-N-LOK™	
FINISH	-	PRODUCT SPEC	-	
APPLICATION SPEC		SCALE	5:1	
SIZE	D	CAGE CODE	00779	DRAWING NO
WEIGHT		-		©-794047
SHEET			1 OF 1	

794047-1
PART NO