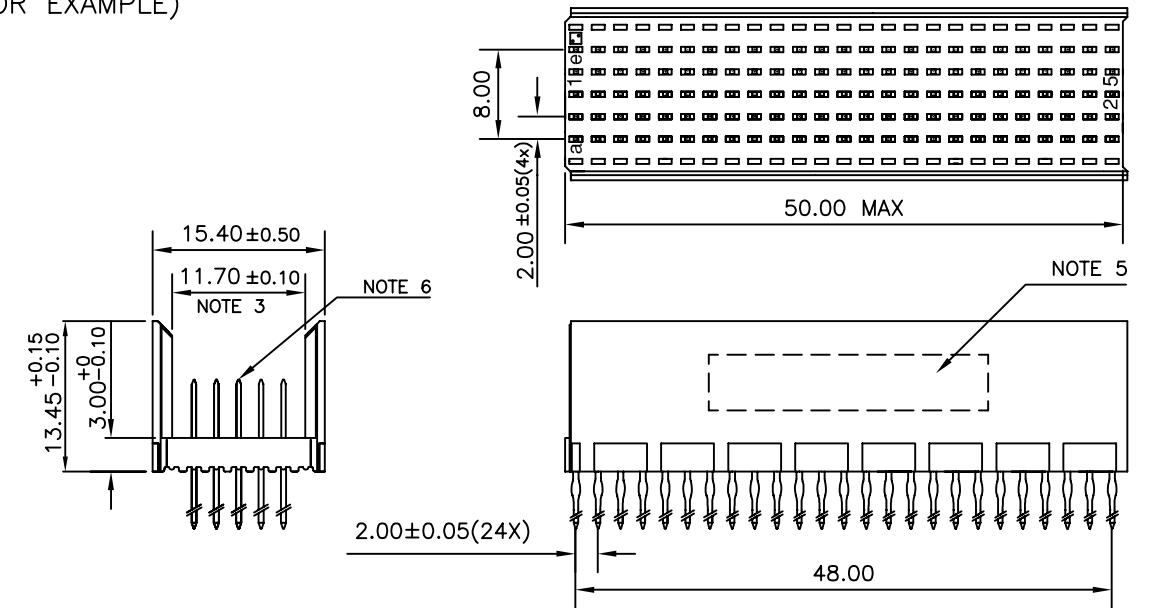


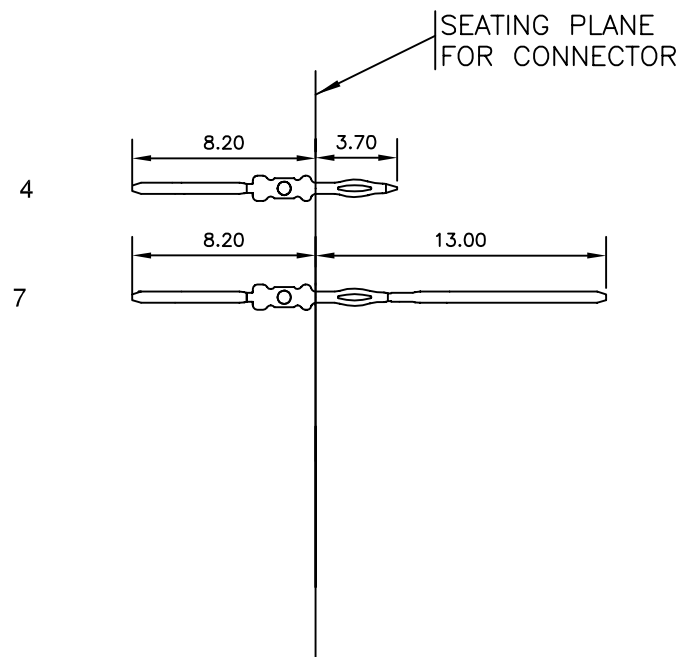
LOADING PATTERN MATING SIDE

f	0	0	0	0	0	0	0	0	0	0	0	0	0	0	0	0	0	0	0	0	0	0
e	4	4	4	4	4	4	4	7	7	7	7	7	7	7	7	4	4	4	4	4	4	4
d	4	4	4	4	4	4	4	7	7	7	7	7	7	7	7	4	4	4	4	4	4	4
c	4	4	4	4	4	4	4	7	7	7	7	7	7	7	7	4	4	4	4	4	4	4
b	4	4	4	4	4	4	4	7	7	7	7	7	7	7	7	4	4	4	4	4	4	4
a	4	4	4	4	4	4	4	7	7	7	7	7	7	7	7	4	4	4	4	4	4	4
z	0	0	0	0	0	0	0	0	0	0	0	0	0	0	0	0	0	0	0	0	0	0
P	0	0	0	0	0	0	0	1	1	1	1	1	1	1	2	2	2	2	2	2	2	2
S	1	5	0	5	0	5	0	5	0	5	0	5	0	5	0	5	0	5	0	5	0	5

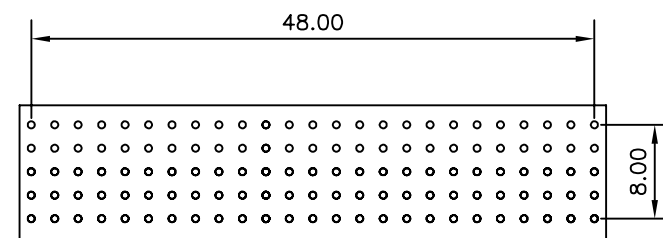
LOADED CONNECTOR ASSEMBLY (FOR EXAMPLE)



CONTACT OVERVIEW



LAY-OUT P.C.B.-HOLE



HM2P08PKG3Y0-----
 LEAD FREE INDICATOR : LF = LEAD FREE (DIGIT 15 & 16)
 PLATING CODE (DIGIT 13 AND 14) (REF DRW NO. BS,C , 201844 , 003)

NOTES

- THIS PRODUCT IS CSA APPROVED.
- THIS PRODUCT IS UL RECOGNIZED.
- MEASURED AT THE BOTTOM.
- MATERIAL CONTACT: PHOSPHORBRONZE
HOUSING: CREAM WHITE GLASS FILLED POLYESTER UL-94V0
- CONNECTOR PRINTED WITH P/N AND DATE CODE.
- FOR ACTUAL CONTACT LOADINGS, SEE LOADING PATTERN MATING SIDE.
- SHAPE OF CONNECTOR HOUSING CAN ALTER DEPENDING ON PRODUCTION LOCATION
- THE PRODUCT (LF) MEETS EUROPEAN UNION DIRECTIVES AND OTHER COUNTRY REGULATIONS AS DESCRIBED IN GS-22-008
- FOR RECOMMENDED PTH DIMENSIONS REFER DRAWING : BS, A , 201572 , 001

CATALOG NO: HM2P08PKG3Y0-----

mat'l. code SEE NOTE 4		surface ISO 1302 ✓	tolerance ISO 406 ISO 1101	projection MM	product family MILLIPACS
ltr	ecn no	dr	date	title MPACS 5+2R STR HDR PF CONN TYPE B	
A	105-0149	MINI	2005-08-30	scale -	
B	106-0099	MINI	2006-07-15		
		angles	linear		
		0°±1°			
		dr	MINI K VANDANATH 2005-08-30	dwg no sheet 1 of 1 size 5	
		enr	BIJU K PAUL 2005-08-30	BS, C , 203028,282 A3	
		chr	BIJU K PAUL 2006-07-15	type Product Customer Drawing	
		appd	BIJU K PAUL 2006-07-15		
sheet index	revision sheet	B	1		