

NOTES:

1.0 ELECTRICAL SPECIFICATIONS:

- 1.1 FREQUENCY RANGE: 0.0 TO 2.0 GHz
- 1.2 COUPLING: SEE TABLE
- 1.3 FREQUENCY SENSITIVITY: $\pm 0.5\text{dB}$
- 1.4 DIRECTIVITY: 18dB MIN.
- 1.5 VSWR: 1.20:1 MAX.
- 1.6 INSERTION LOSS: 0.5dB MAX.
(EXCLUDING COUPLED POWER)
- 1.7 POWER: SEE TABLE
- 1.8 RF IMPEDANCE: 50 OHMS
- 1.9 WEIGHT (MAX): 10.4 oz

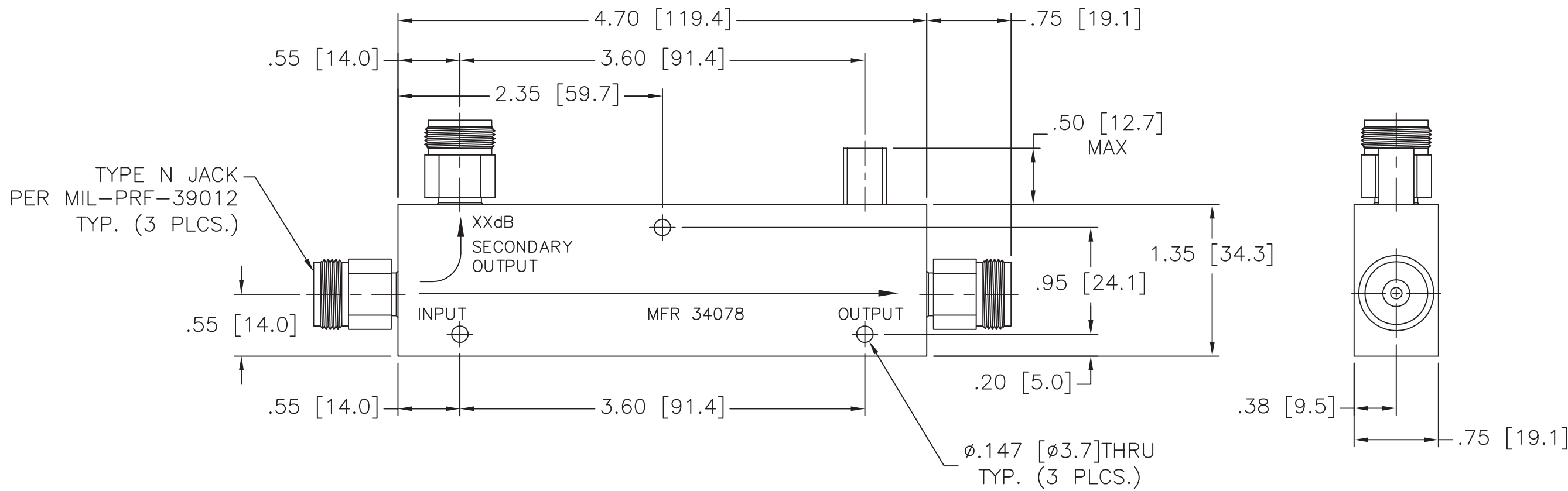
2.0 FINISHING:

- 2.1 GREY PER MIL-E-15090 TYPE II, CLASS 2
OVER MIL-C-5541 CLASS 3A
MEETS MIL-F-14072
MEETS MIL-E-5400
- 2.2 MARKING: MARK UNIT AS SHOWN

3.0 DIMENSIONS IN BRACKETS ARE IN MILLIMETERS.

MIDWEST MODEL NUMBER CPL-5220-XX-NNN-79	COUPLING	POWER (WATTS)		
		INPUT	REF.	PEAK
CPL-5220-06-NNN-79	6 $\pm 1.0\text{dB}$	50	10	4000
CPL-5220-10-NNN-79	10 $\pm 1.0\text{dB}$	50	10	4000
CPL-5220-16-NNN-79	16 $\pm 1.0\text{dB}$	50	40	4000
CPL-5220-20-NNN-79	20 $\pm 1.0\text{dB}$	50	50	4000

MODEL NUMBER
CPL-5220-XX-NNN-79



REV.	DESCRIPTION	DATE
-	RELEASED	6/26/96
A	ECN 15762	2/10/96
B	ECN 16429	1/6/98
C	ECN 16472	2/3/98
C1	ADD TITLEBLOCK	4/22/05
C2	ECO 22339	2/18/10

<p>NOTICE: The information contained in this drawing is proprietary and must not be used without the permission of Cinch Connectivity Solutions.</p> <p>UNLESS OTHERWISE NOTED DIMENSIONS ARE IN INCHES AND TOLERANCES ARE: 3 PLACE DECIMALS $\pm .005$ 2 PLACE DECIMALS $\pm .020$ FRACTIONS $\pm 1/64$ PARALLELITY: T.I.R. _____ FLATNESS: T.I.R. _____ CONCENTRICITY: T.I.R. _____ ANGLES AND PERPENDICULARITY: $\pm 1^\circ$</p>	<p>CAGE CODE 34078</p>	<p>MIDWEST MICROWAVE</p>	
		<p>TITLE DIRECTIONAL COUPLER OUTLINE DRAWING</p>	
<p>DRAWN/DATE M. STAFFORD 6/21/96</p>	<p>ENG./DATE J. O'NEIL 6/26/96</p>	<p>DRAWING NUMBER CPL-5220-XX-NNN-79-01</p>	<p>REV. C2</p>
<p>CHECKED/DATE J. VERNON 6/24/96</p>	<p>APPROVED/DATE</p>	<p>SCALE: 1:1</p>	<p>SHEET 1 of 1</p>