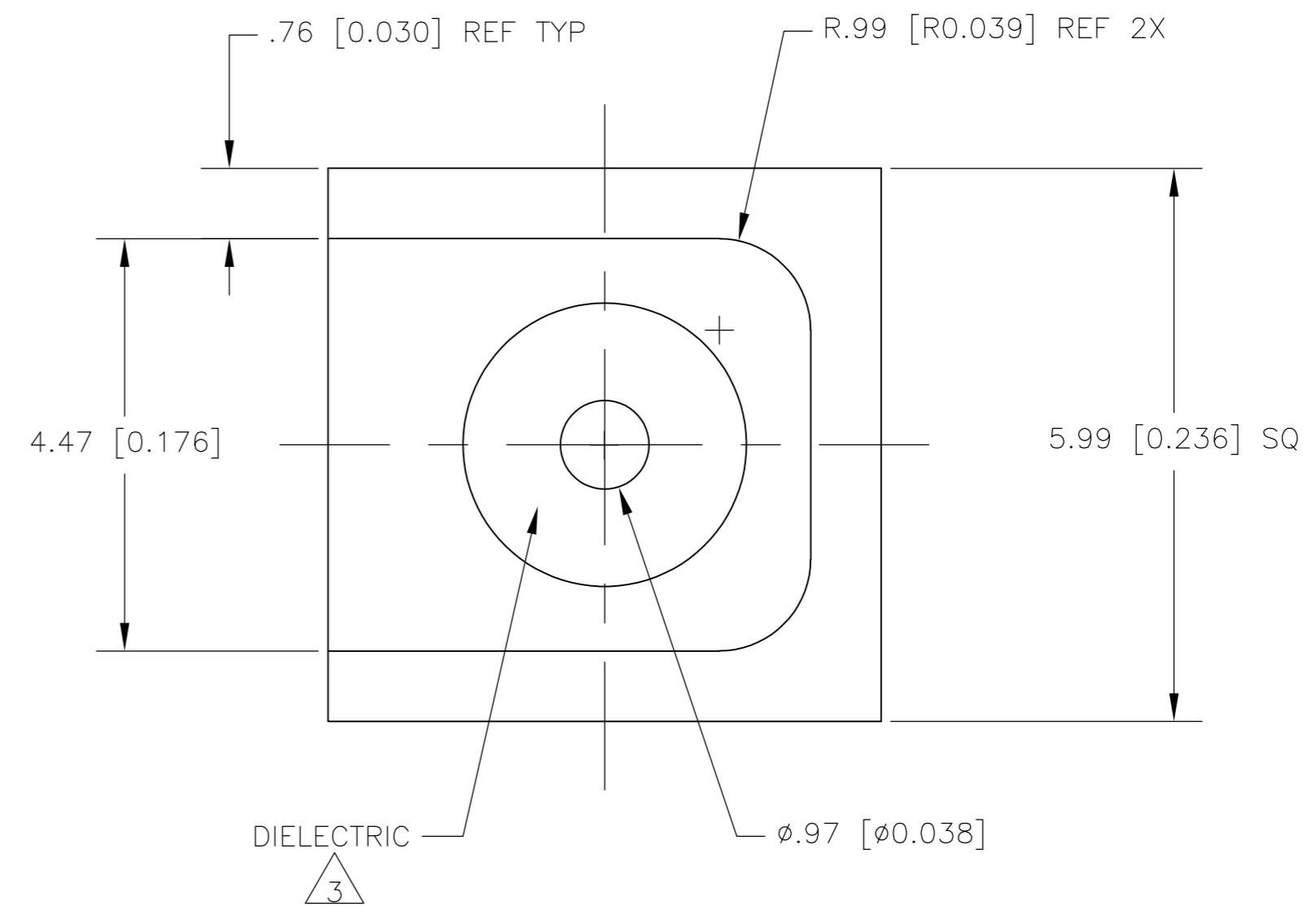
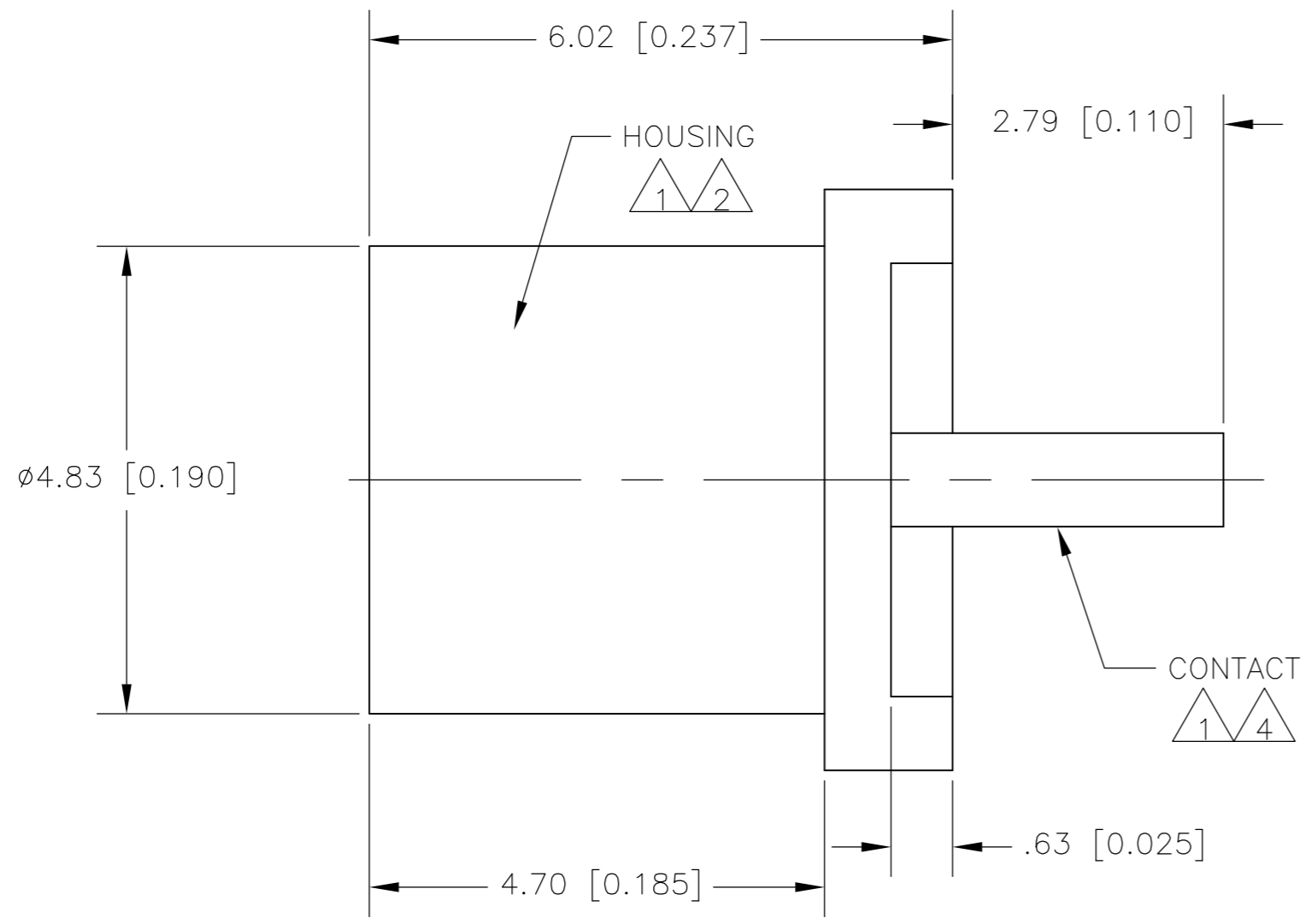


THIS DRAWING IS UNPUBLISHED. RELEASED FOR PUBLICATION
 © COPYRIGHT - By - ALL RIGHTS RESERVED.

LOC		DIST		REVISIONS					
AJ		16		P	LTR	DESCRIPTION	DATE	DWN	APVD
				A1		ECR-12-005726	27MAR12	RK	MY



- 1 GOLD PLATE PER ASTM-B-488
- 2 BRASS PER ASTM-B-16
- 3 PTFE PER ASTM-D-1710
- 4 BERYLLIUM COPPER PER ASTM-B-197

5. PCB LAYOUT TO BE DETERMINED BY CUSTOMER.

1274659-1
 PART NUMBER

THIS DRAWING IS A CONTROLLED DOCUMENT.		DWN	K. WEIDNER	12/10/04	TE Connectivity			
DIMENSIONS: MM [INCHES]		CHK	K. WEIDNER	2/11/05				
TOLERANCES UNLESS OTHERWISE SPECIFIED:		APVD	K. WEIDNER	2/11/05	NAME			
0 PLC ± - 1 PLC ± - 2 PLC ± 0.13[.005] 3 PLC ± - 4 PLC ± - ANGLES ± 2°		PRODUCT SPEC		MCX PCB JACK				
MATERIAL		APPLICATION SPEC		SIZE		CAGE CODE	DRAWING NO	RESTRICTED TO
FINISH		WEIGHT		A2		00779	C=1274659	-
		CUSTOMER DRAWING		SCALE		15:1	SHEET	1 OF 1
							REV	A1