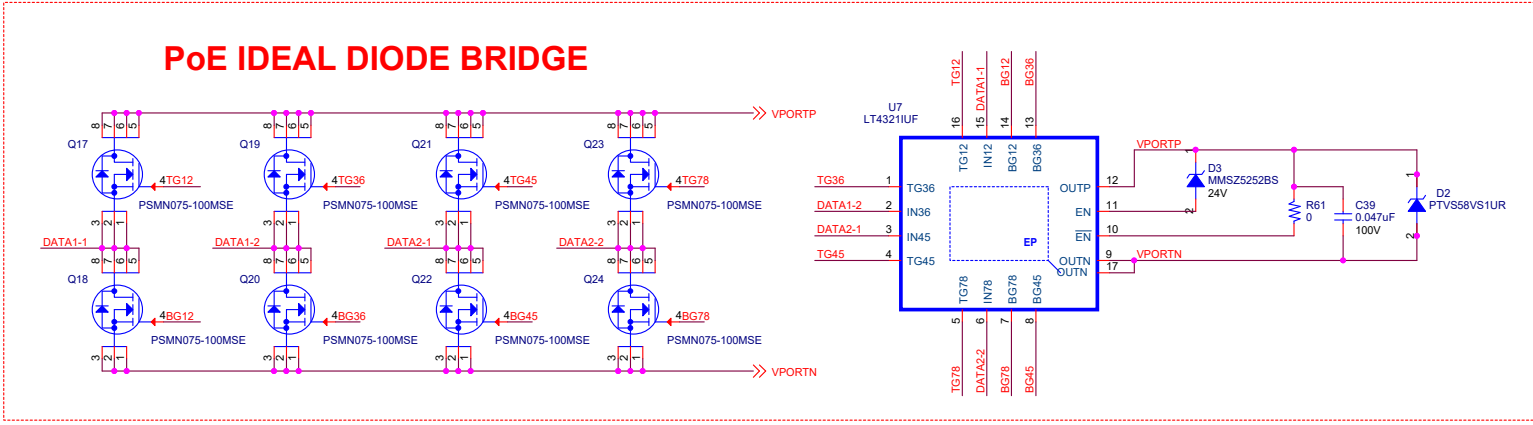
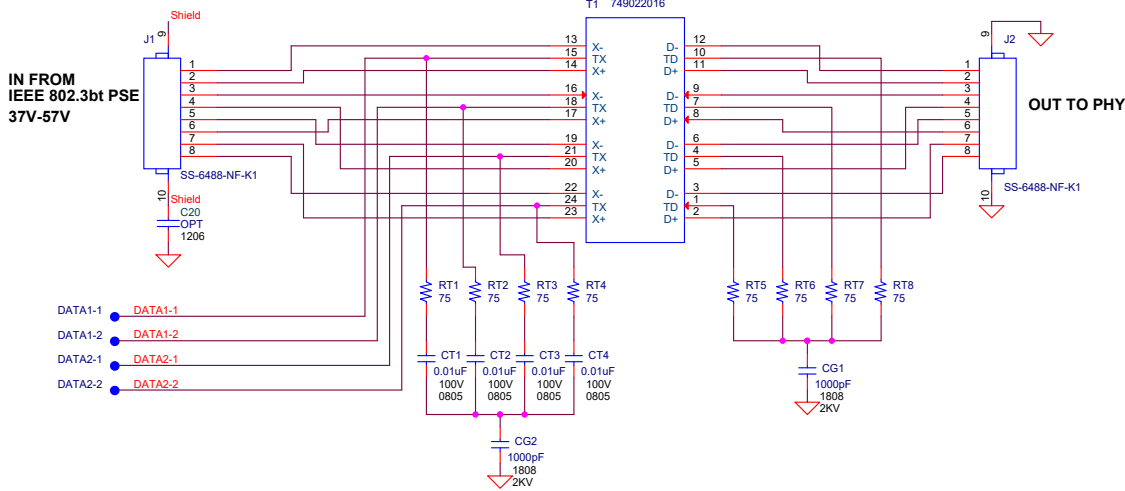


REVISION HISTORY				
ECO	REV	DESCRIPTION	APPROVED	DATE
1	1	PRODUCTION	KAUNG H.	09-06-2016



NOTES:
1. Unless otherwise noted, all resistors on this sheet are 0603, 5%

CUSTOMER NOTICE
LINEAR TECHNOLOGY HAS MADE A BEST EFFORT TO DESIGN A CIRCUIT THAT MEETS CUSTOMER-SUPPLIED SPECIFICATIONS; HOWEVER, IT REMAINS THE CUSTOMER'S RESPONSIBILITY TO VERIFY PROPER AND RELIABLE OPERATION IN THE ACTUAL APPLICATION. COMPONENT SUBSTITUTION AND PRINTED CIRCUIT BOARD LAYOUT MAY SIGNIFICANTLY AFFECT CIRCUIT PERFORMANCE OR RELIABILITY. CONTACT LINEAR TECHNOLOGY APPLICATIONS ENGINEERING FOR ASSISTANCE.

THIS CIRCUIT IS PROPRIETARY TO LINEAR TECHNOLOGY AND SUPPLIED FOR USE WITH LINEAR TECHNOLOGY PARTS.

APPROVALS	
PCB DES.	K. HTOO
APP ENG.	K. HTOO
SCALE	NONE

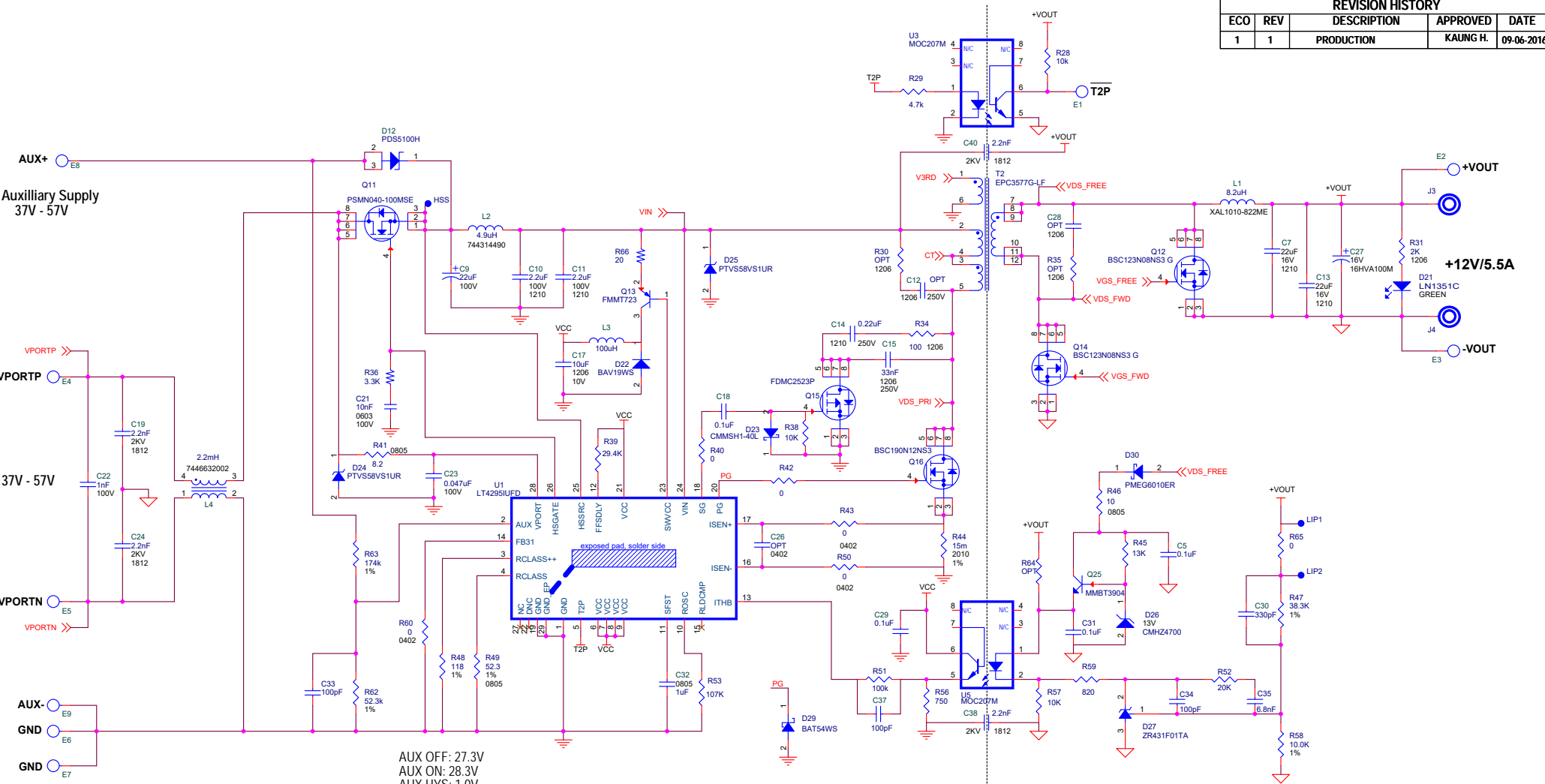
LINEAR TECHNOLOGY
1630 McCarthy Blvd.
Milpitas, CA 95035
Phone: (408)432-1900 www.linear.com
Fax: (408)434-0507
LTC Confidential-For Customer Use Only

TITLE: SCHEMATIC
IEEE 802.3bt POWERED DEVICE INTERFACE
WITH FORWARD DC-DC CONVERTER

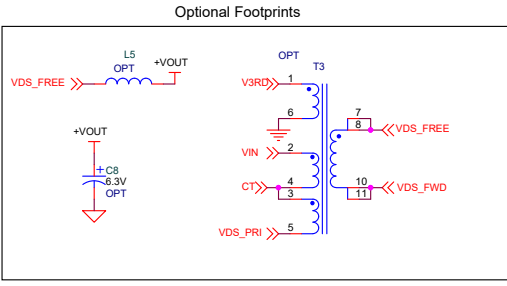
SIZE	IC NO.	REV.
N/A	LT4295IUF, LT4321IUF	1
DATE: Monday, February 27, 2017		SHEET 2 OF 3

REVISION HISTORY

ECO	REV	DESCRIPTION	APPROVED	DATE
1	1	PRODUCTION	KAUNG H.	09-06-2016

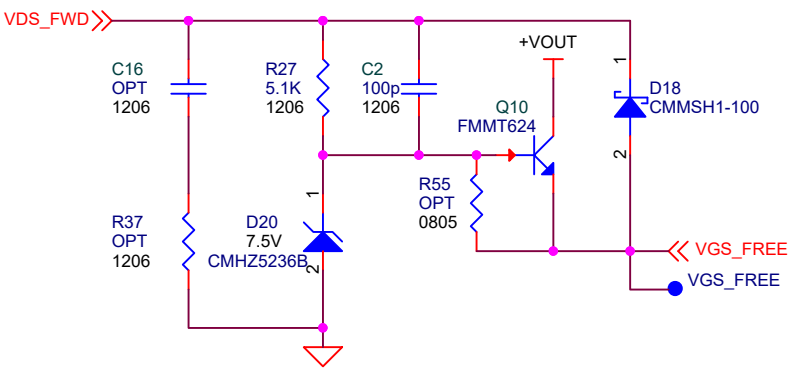
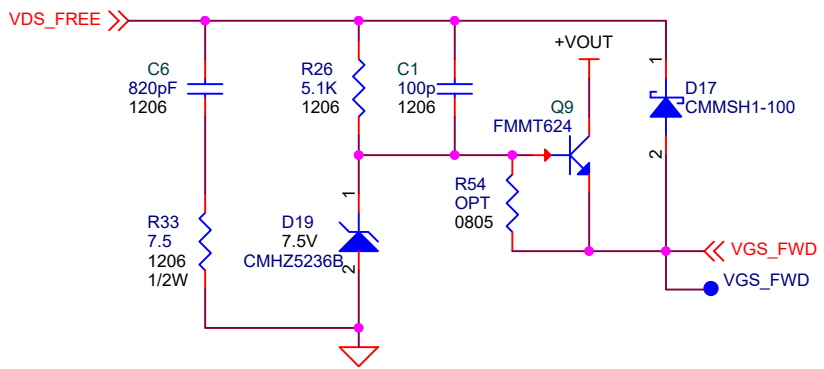


AUX OFF: 27.3V
 AUX ON: 28.3V
 AUX HYS: 1.0V



- NOTES:
1. Unless otherwise noted, all resistors on this sheet are 0603, 5%
 2. Unless otherwise noted, all capacitors on this sheet are 0603 and 50V

CUSTOMER NOTICE		APPROVALS		LINEAR TECHNOLOGY	
LINEAR TECHNOLOGY HAS MADE A BEST EFFORT TO DESIGN A CIRCUIT THAT MEETS CUSTOMER-SUPPLIED SPECIFICATIONS; HOWEVER, IT REMAINS THE CUSTOMER'S RESPONSIBILITY TO VERIFY PROPER AND RELIABLE OPERATION IN THE ACTUAL APPLICATION. COMPONENT SUBSTITUTION AND PRINTED CIRCUIT BOARD LAYOUT MAY SIGNIFICANTLY AFFECT CIRCUIT PERFORMANCE OR RELIABILITY. CONTACT LINEAR TECHNOLOGY APPLICATIONS ENGINEERING FOR ASSISTANCE.		PCB DES.	K. HTOO	1630 McCarthy Blvd. Milpitas, CA 95035 Phone: (408)432-1900 www.linear.com Fax: (408)434-0507 LTC Confidential-For Customer Use Only	
		APP ENG.	K. HTOO		
THIS CIRCUIT IS PROPRIETARY TO LINEAR TECHNOLOGY AND SUPPLIED FOR USE WITH LINEAR TECHNOLOGY PARTS.		TITLE: SCHEMATIC IEEE 802.3bt POWERED DEVICE INTERFACE WITH FORWARD DC-DC CONVERTER		SIZE	N/A
		SCALE = NONE		IC NO.	LT4295IUF, LT4321IUF DEMO CIRCUIT 2584A-A
		DATE: Monday, February 27, 2017		REV.	1
				SHEET 1 OF 2	




CUSTOMER NOTICE

LINEAR TECHNOLOGY HAS MADE A BEST EFFORT TO DESIGN A CIRCUIT THAT MEETS CUSTOMER-SUPPLIED SPECIFICATIONS; HOWEVER, IT REMAINS THE CUSTOMER'S RESPONSIBILITY TO VERIFY PROPER AND RELIABLE OPERATION IN THE ACTUAL APPLICATION. COMPONENT SUBSTITUTION AND PRINTED CIRCUIT BOARD LAYOUT MAY SIGNIFICANTLY AFFECT CIRCUIT PERFORMANCE OR RELIABILITY. CONTACT LINEAR TECHNOLOGY APPLICATIONS ENGINEERING FOR ASSISTANCE.

THIS CIRCUIT IS PROPRIETARY TO LINEAR TECHNOLOGY AND SUPPLIED FOR USE WITH LINEAR TECHNOLOGY PARTS.

APPROVALS	
PCB DES.	K. HTOO
APP ENG.	K. HTOO
SCALE = NONE	



1630 McCarthy Blvd.
Milpitas, CA 95035
Phone: (408)432-1900 www.linear.com
Fax: (408)434-0507
LTC Confidential-For Customer Use Only

TITLE: SCHEMATIC IEEE 802.3bt POWERED DEVICE INTERFACE WITH FORWARD DC-DC CONVERTER		
SIZE N/A	IC NO. LT4295IUFD, LT4321IUF DEMO CIRCUIT 2584A-A	REV. 1
DATE: Monday, February 27, 2017		SHEET 3 OF 3