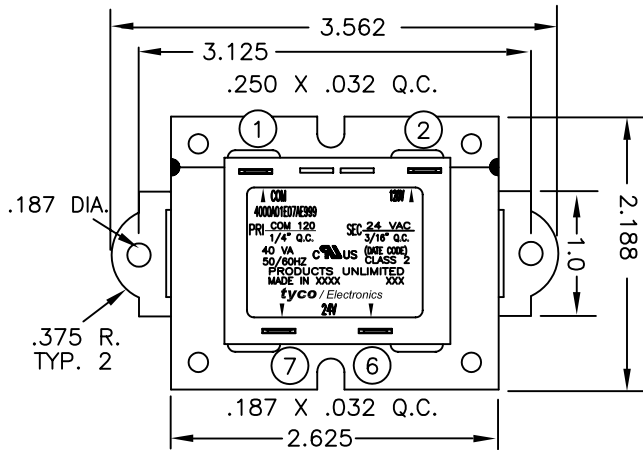


THIS DRAWING IS UNPUBLISHED. RELEASED FOR PUBLICATION  
 © COPYRIGHT BY TYCO ELECTRONICS CORPORATION. ALL RIGHTS RESERVED.

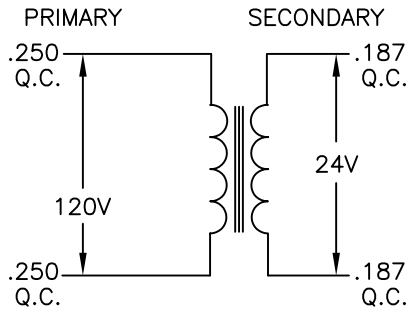
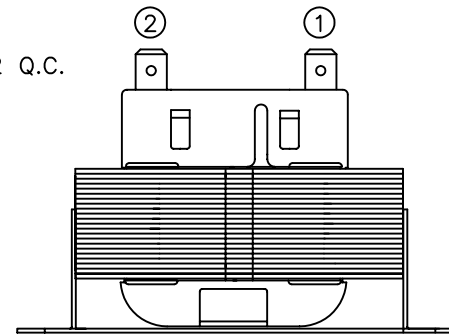
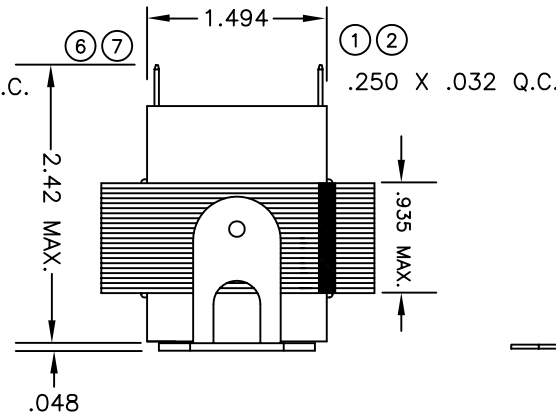
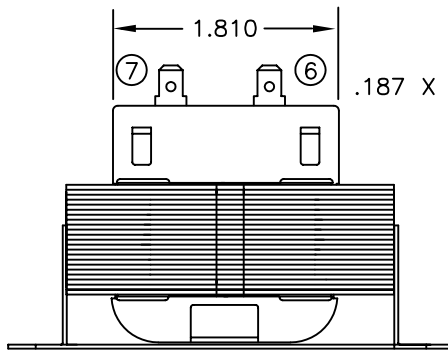
LOC	DIST	REVISIONS			
P	LTR	DESCRIPTION	DATE	DWN	APVD
GZ	00	0	0720-0346-04	02JUN04	KH HT



PRIMARY						SECONDARY				
TERM NO.	1	2	3	4	5	TERM NO.	6	7	8	9
VOLTAGE	COM	120				VOLTAGE	24	VAC		
TERMINAL WIDTH	.250	.250				TERMINAL WIDTH	.187	.187		
TERMINAL THICKNESS	.032	.032				TERMINAL THICKNESS	.032	.032		

NOTES:  
 1. DIMENSIONS FOR REFERENCE ONLY.  
 2. WINDING PROTECTION-INHERENTLY LIMITING

CERTIFICATION:UL/CUL FILE NO E87824



SCHEMATIC

TYCO PART NUMBER  
6-1611471-7

DIMENSIONS:		TOLERANCES UNLESS OTHERWISE SPECIFIED:		APVD		CAGE CODE		DRAWING NO		RESTRICTED TO	
INCHES				DH		00779		C=4000A01E07AE999			
0 PLC		± -		PRODUCT SPEC		A3		00779		SCALE NTS	
1 PLC		± -		APPLICATION SPEC		00779		00779		SHEET 1 OF 1	
2 PLC		± .010		WEIGHT		00779		00779		REV 0	
3 PLC		± .005		CUSTOMER DRAWING		00779		00779			
4 PLC		± -				00779		00779			
ANGLES		± -				00779		00779			
MATERIAL		FINISH				00779		00779			