

# Industrial Ethernet Switch - FL SWITCH 7008-EIP - 2701418

Please be informed that the data shown in this PDF Document is generated from our Online Catalog. Please find the complete data in the user's documentation. Our General Terms of Use for Downloads are valid (<http://phoenixcontact.com/download>)




Managed Switch 7000, 8 RJ45 ports 10/100 Mbps, degree of protection: IP20, EtherNet/IP™

## Why buy this product

- Device Level Ring (DLR)
- Common Industrial Protocol (CIP)
- DHCP client, DHCP server (pool-based and port-based), DHCP option 82
- VLANs
- RSTP with fast switch-over
- 40°C ... +70°C ambient temperature
- Slim design
- Web-based management, SNMP



## Key Commercial Data

Packing unit	1 STK
GTIN	 4 046356 749732
GTIN	4046356749732

## Technical data

### Note

Utilization restriction	EMC: class A product, see manufacturer's declaration in the download area
-------------------------	---

### Dimensions

Width	60 mm
Height	130 mm
Depth	135.5 mm

### Ambient conditions

Degree of protection	IP20
----------------------	------

# Industrial Ethernet Switch - FL SWITCH 7008-EIP - 2701418

## Technical data

### Ambient conditions

Ambient temperature (operation)	-40 °C ... 70 °C
Ambient temperature (storage/transport)	-40 °C ... 85 °C
Permissible humidity (operation)	10 % ... 95 % (non-condensing)
Permissible humidity (storage/transport)	10 % ... 95 % (non-condensing)
Air pressure (operation)	86 kPa ... 108 kPa (1500 m above sea level)
Air pressure (storage/transport)	66 kPa ... 108 kPa (3500 m above sea level)

### Interfaces

Interface 1	Ethernet (RJ45)
No. of ports	8 (RJ45 ports)
Note on the connection method	Auto negotiation and autocrossing
Transmission physics	Copper
Transmission speed	10/100 Mbps
Transmission length	100 m (per segment)
Signal LEDs	Data receive, link status

### Function

Basic functions	Store-and-forward switch, complies with IEEE 802.3
Management	Web-based management (HTTP/HTTPS)
	SNMPv1/v2/v3
Diagnostic functions	Remanente Event-Table
	RMON History
	N:1-Portmirroring
	LLDP (Link Layer Discovery Protocol)
	SNMP-Traps
	ACD (Address Conflict Detection)
Filter functions	Quality of Service (8 priority classes)
	Port-Priorisierung
	VLAN (up to 32 VLANs)
	IGMP Snooping (512 groups)
	IGMP Query
	Auto-Query-Port
	Extended Multicast Filtering
	Static Multicast Filtering (32 groups)
	Link Aggregation (up to 4 trunks)
MAC address table	16k
Redundancy	DLR (Device Level Ring)
	RSTP (Rapid Spanning Tree Protocol)
	FRD (Fast Ring Detection)
	Large Tree Support
IP parameterization	DHCP-Client
	DHCP Option 82 (Relay Agent)

# Industrial Ethernet Switch - FL SWITCH 7008-EIP - 2701418

## Technical data

### Function

	DHCP server (pool-based, port-based)
	BootP
PROFINET device function	Fast Startup
PROFINET conformance class	Conformance-Class A
EtherNet/IP™ supported protocols	Common Industrial Protocol (CIP)
Time synchronization	PTP 1588 (Transparent clock on the DLR ports)
Additional functions	MAC-based Port Security
Status and diagnostic indicators	LEDs: US1, US2 (power supply), Fail (alarm contact), 2 LEDs per Ethernet port (Link and switchable Activity/Speed/Duplex) EtherNet/IP™ status LED: Net, Mod
Signal contact control voltage	24 V DC (typical)
Signal contact control current	1 A (maximum)

### Network expansion parameters

Cascading depth	Network, linear, and star structure: any
Maximum conductor length (twisted pair)	100 m

### Supply voltage

Supply voltage	24 V DC (redundant)
Residual ripple	3.6 V <sub>pp</sub> (within the permitted voltage range)
Supply voltage range	12 V DC ... 58 V DC
Typical current consumption	350 mA (at U <sub>S</sub> = 24 V DC)
Current consumption	350 mA

### General

Mounting type	DIN rail
Type AX	Book type
Net weight	900 g
MTTF	209.8 Years (SN 29500 standard, temperature 25 °C, operating cycle 21 % (5 days a week, 8 hours a day))
	105.79 Years (SN 29500 standard, temperature 40 °C, operating cycle 34.25 % (5 days a week, 12 hours a day))
	14.78 Years (SN 29500 standard, temperature 70 °C, operating cycle 100 % (7 days a week, 24 hours a day))

### Connection data

Connection method	Screw connection
Conductor cross section solid min.	0.2 mm <sup>2</sup>
Conductor cross section solid max.	2.5 mm <sup>2</sup>
Conductor cross section flexible min.	0.2 mm <sup>2</sup>
Conductor cross section flexible max.	2.5 mm <sup>2</sup>
Conductor cross section AWG min.	24
Conductor cross section AWG max.	12
Stripping length	7 mm

# Industrial Ethernet Switch - FL SWITCH 7008-EIP - 2701418

## Technical data

### Standards and Regulations

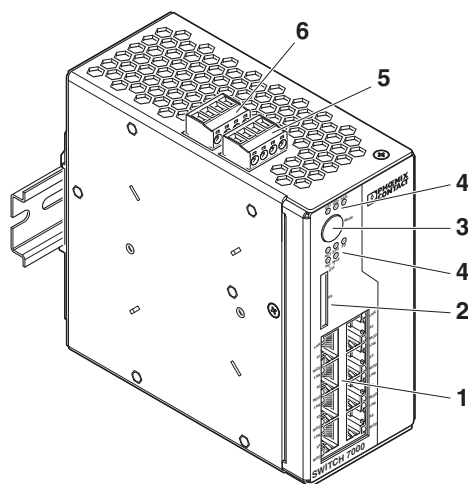
Electromagnetic compatibility	Conformance with EMC Directive 2004/108/EC
Type of test	Vibration resistance in acc. with EN 60068-2-6/IEC 60068-2-6
Test result	Operation/Storage/Transport: 5g, 150 Hz, Criterion 3
Noise emission	EN 61000-6-4
Noise immunity	EN 61000-6-2:2005
Vibration (storage/transport)	5g, 150 Hz, in acc. with IEC 60068-2-6
Free from substances that could impair the application of coating	Yes
Vibration (operation)	in acc. with IEC 60068-2-6: 5g, 150 Hz

### Environmental Product Compliance

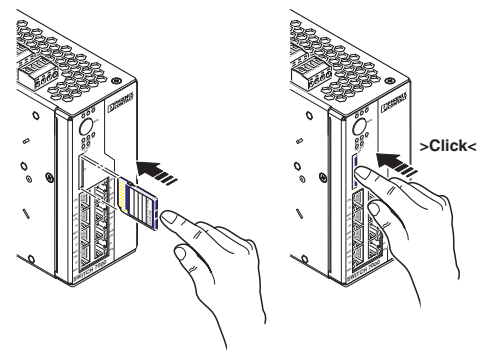
REACH SVHC	Lead 7439-92-1
China RoHS	Environmentally Friendly Use Period = 50
	For details about hazardous substances go to tab "Downloads", Category "Manufacturer's declaration"

## Drawings

Schematic diagram



Schematic diagram



Inserting/removing the SD card

### Key:

- 1 Ethernet ports
- 2 Slot for optional SD memory card
- 3 Mode switch with LEDs
- 4 Diagnostics and status indicators
- 5 Connection of the supply voltage
- 6 Floating signal contact

## Approvals

### Approvals

# Industrial Ethernet Switch - FL SWITCH 7008-EIP - 2701418

## Approvals

### Approvals

UL Listed / cUL Listed / EtherNet/IP CONFORMANCE TESTED TM / cULus Listed

---

### Ex Approvals

UL Listed / cUL Listed / cULus Listed

---

### Approval details

UL Listed		<a href="http://database.ul.com/cgi-bin/XYV/template/LISEXT/1FRAME/index.htm">http://database.ul.com/cgi-bin/XYV/template/LISEXT/1FRAME/index.htm</a>	FILE E 140324
-----------	--	---	---------------

cUL Listed		<a href="http://database.ul.com/cgi-bin/XYV/template/LISEXT/1FRAME/index.htm">http://database.ul.com/cgi-bin/XYV/template/LISEXT/1FRAME/index.htm</a>	FILE E 140324
------------	--	---	---------------

EtherNet/IP CONFORMANCE TESTED TM			11221.01
---	--	--	----------

cULus Listed			
--------------	--	--	--

---

Phoenix Contact 2018 © - all rights reserved  
<http://www.phoenixcontact.com>

PHOENIX CONTACT GmbH & Co. KG  
Flachsmarktstr. 8  
32825 Blomberg  
Germany  
Tel. +49 5235 300  
Fax +49 5235 3 41200  
<http://www.phoenixcontact.com>