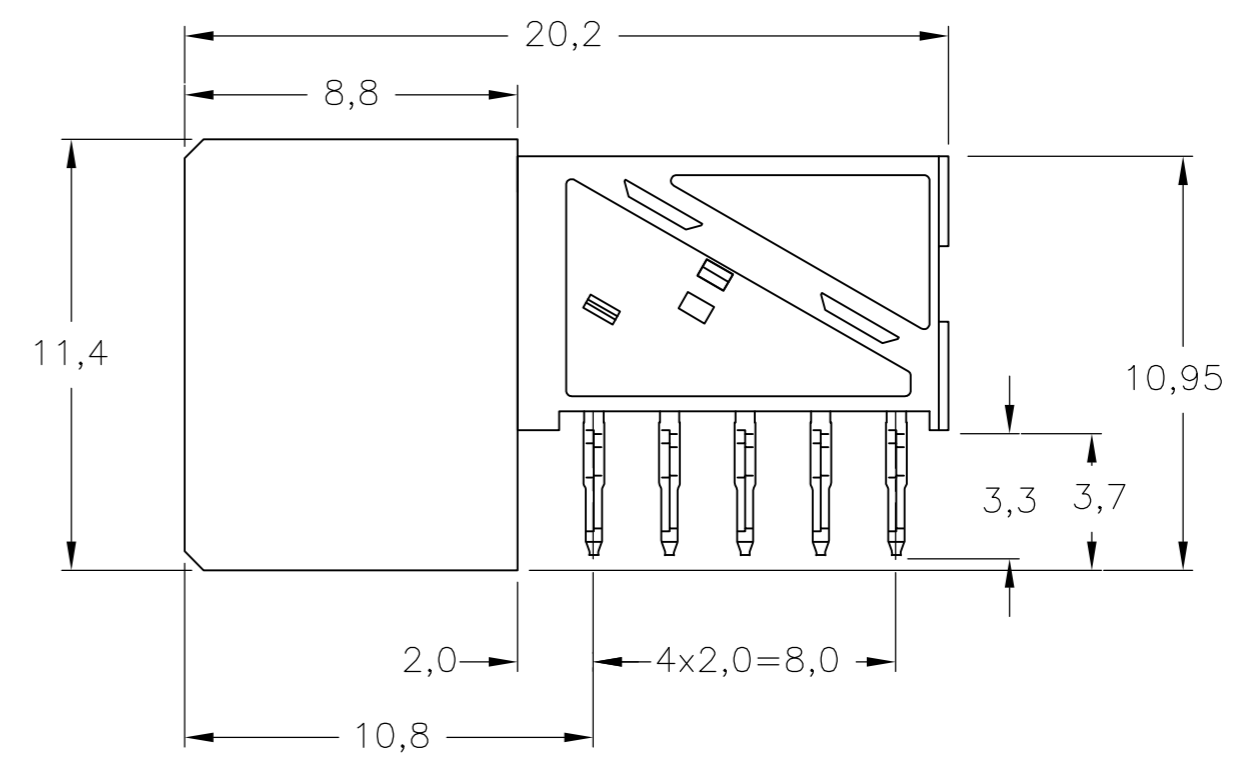
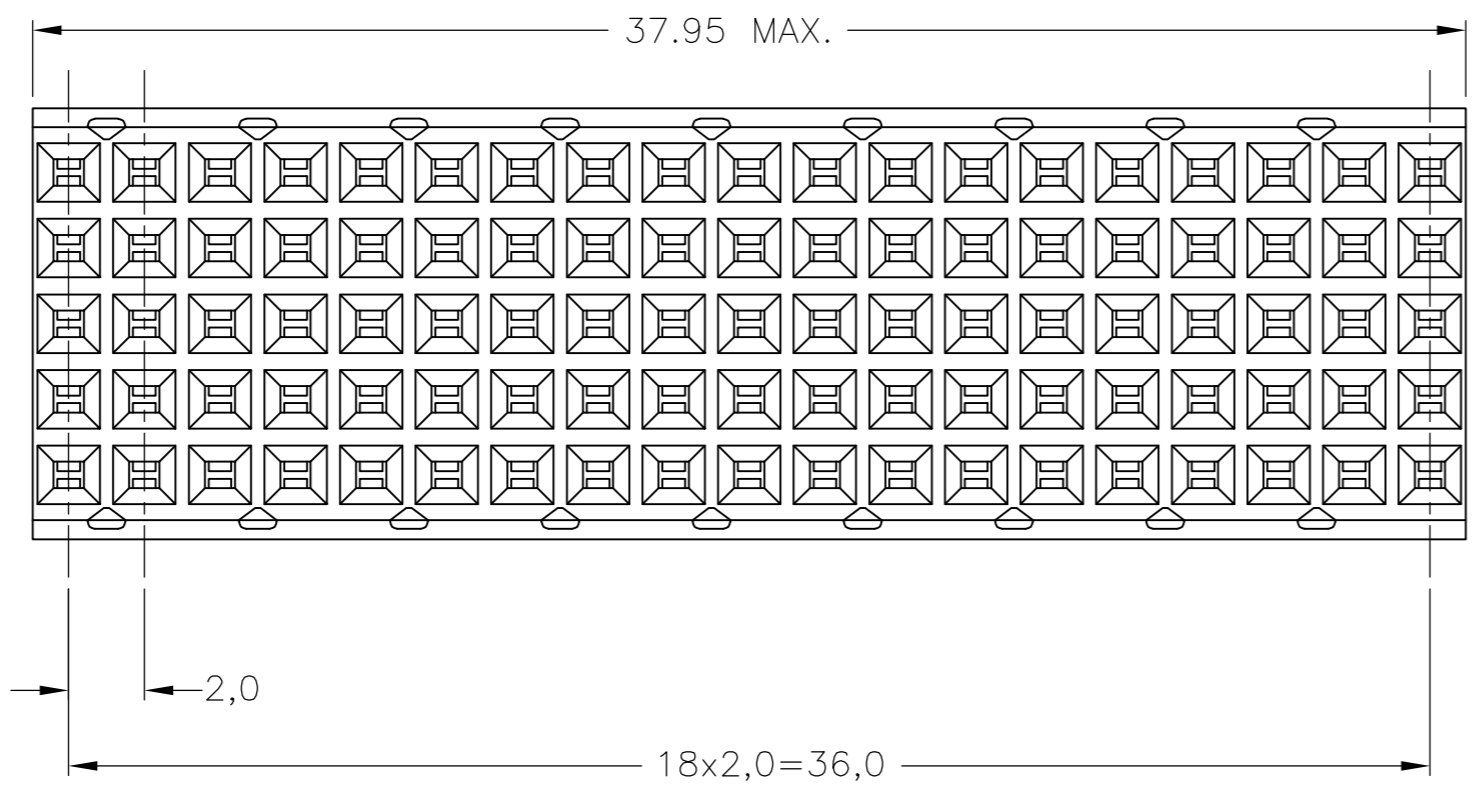
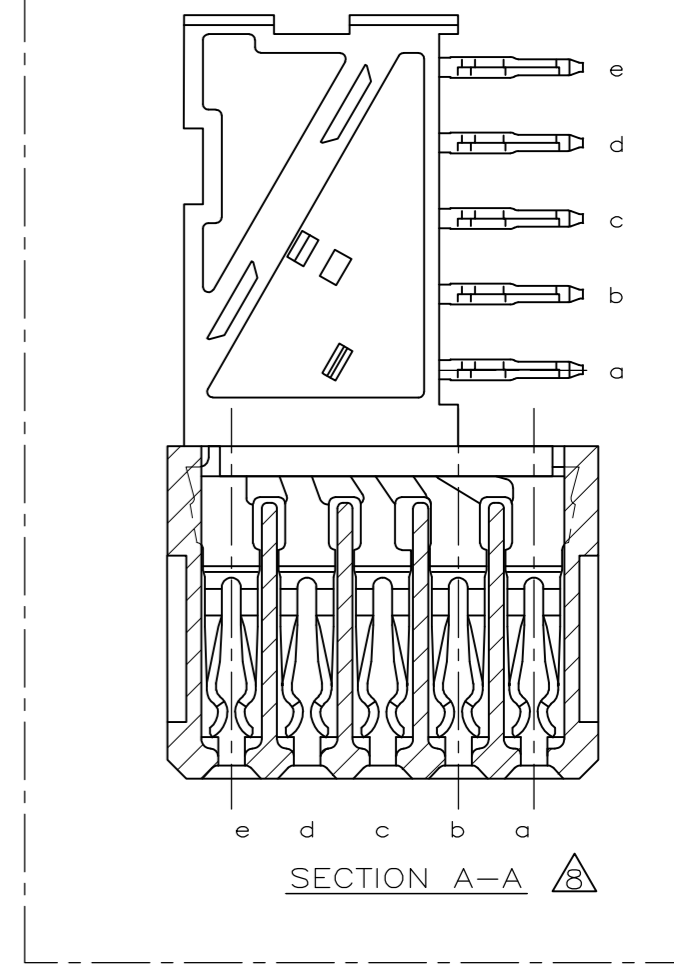
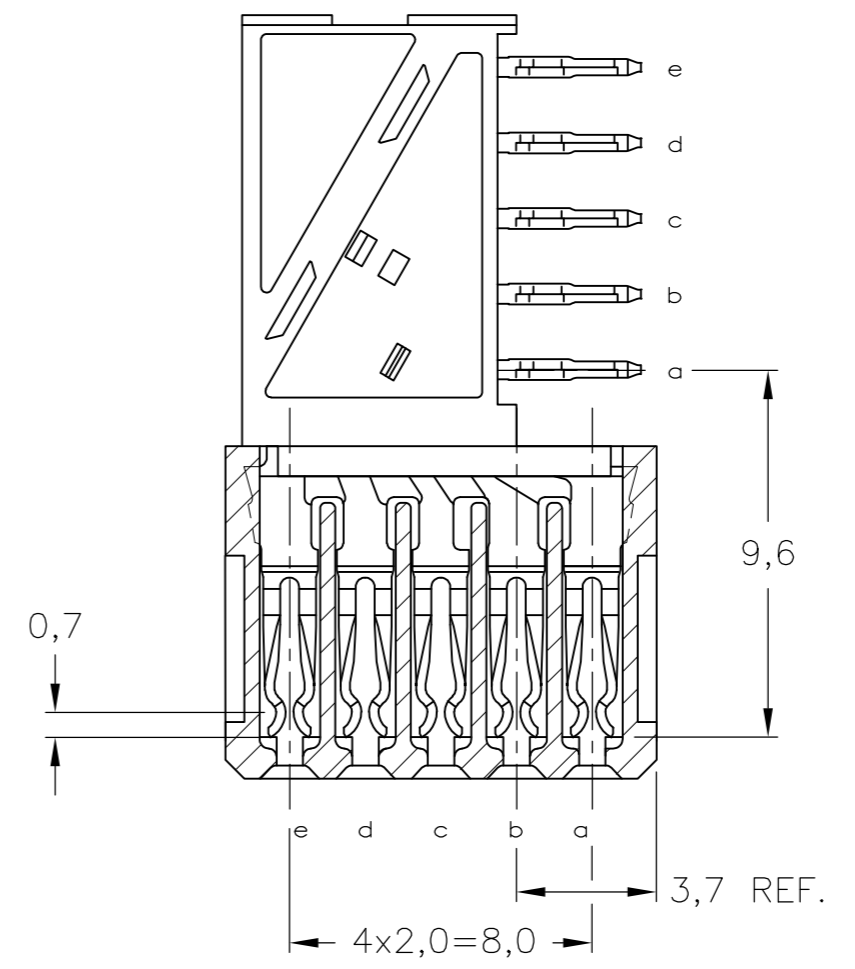
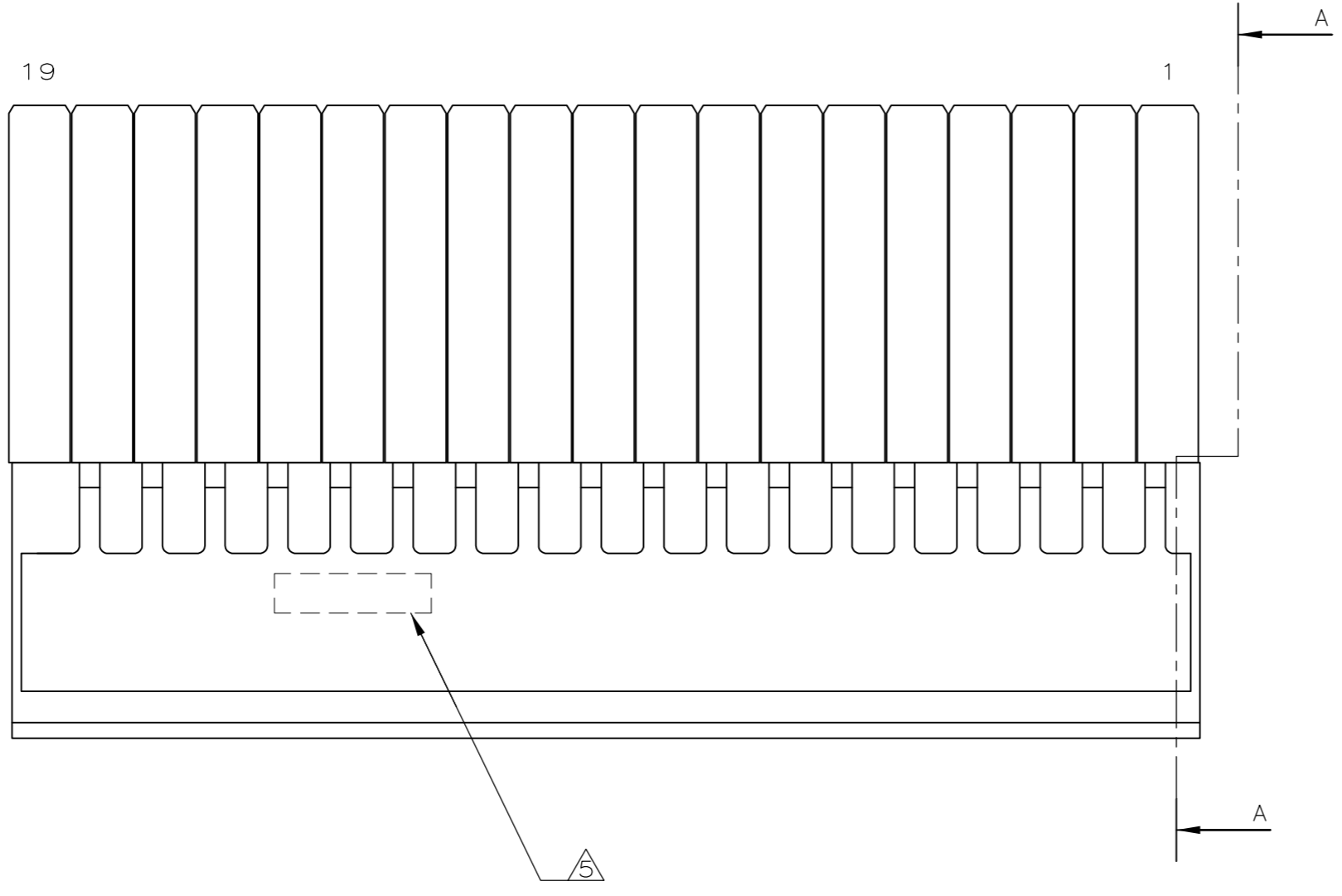
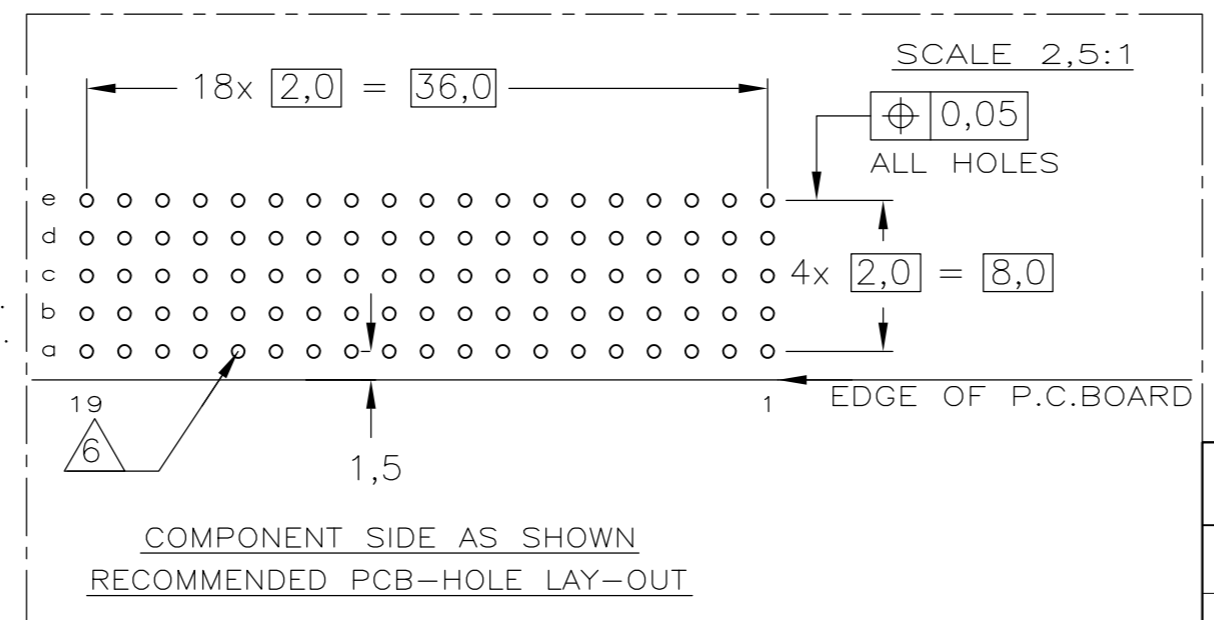


THIS DRAWING IS UNPUBLISHED. RELEASED FOR PUBLICATION  
 © COPYRIGHT BY TYCO ELECTRONICS CORPORATION. ALL RIGHTS RESERVED.

LOC		DIST		REVISIONS			
P	LTR	DESCRIPTION	DATE	DWN	APVD		
C		ECO-11-024491	13DEC11	SY	MQW		



- NOTES:**
- 1 MATERIAL CONTACT; PHOSPHORBRONZE
  - 2 MATERIAL HOUSING; GLASSFILLED POLYESTER UL-RATING 94V0 (GRAY)
  - 3 GENERAL PLATING SPECIFICATION: UNDERPLATING (ENTIRE CONTACT): 1,27µm NICKEL MIN. AND ACTION PIN: 0,5µm TIN MIN. FOR PLATING OF MATING SURFACES SEE APPLICABLE SPECIFICATION REFERENCE FOR EACH DASH NUMBER.
  - 4 CONFORMS TO ALL TESTING ACCORDING IEC 61076-4-101 PERFORMANCE LEVEL 2.
  - 5 CONFORMS TO ALL TESTING ACCORDING IEC 61076-4-101 PERFORMANCE LEVEL 1.
  - 6 CONNECTOR PRINTED WITH PARTNUMBER AND DATECODE THE MARKING CAN APPEAR ON THE FRONT SIDE OR ON THE BACK SIDE.
  - 7 PLATED-THROUGH HOLES AT 2x2mm SQUARE GRID. 95 HOLES FITS WITH INTEGRATED GROUND RETURN UPSHIELD, BASIC P.N. 5352028 AND INTEGRATED GROUND RETURN LOWERSHIELD, BASIC P.N. 5352029
  - 8 CONNECTOR ASSEMBLED WITH REDESIGNED CONTACTS. CONTACTS HAVE A CORING-OUT IN THE PLASTIC.



P.C.B. HOLE DIM. ACTION PIN  
 FOR DETAILS SEE APPLICATION SPECIFICATION

THIS DRAWING IS A CONTROLLED DOCUMENT.		DWN	13AUG2004	Tyco Electronics Corporation 's-Hertogenbosch, 5222AR-32	5352009-4	8
DIMENSIONS: mm		CHK	22MAR2005		5352009-1	8
TOLERANCES UNLESS OTHERWISE SPECIFIED:		APVD	22MAR2005	FINISH	MATERIAL	PARTNUMBER
0 PLC ± -	1 PLC ± -	NAME		Z-PACK 2mm HM 95 POS. (19 COLUMNS) FEMALE DAUGHTER CARD CONNECTOR		
2 PLC ± -	3 PLC ± -	PRODUCT SPEC		-		
4 PLC ± -	ANGLES ± -	APPLICATION SPEC		-		
FINISH		WEIGHT		SIZE	CAGE CODE	DRAWING NO
-		-		A2	00779	C=5352009
MATERIAL		CUSTOMER DRAWING		SCALE	SHEET	OF
-		-		5:1	1	1
				REV	C	