



➔ AT73C246

Power Management Unit and Stereo Audio Codec

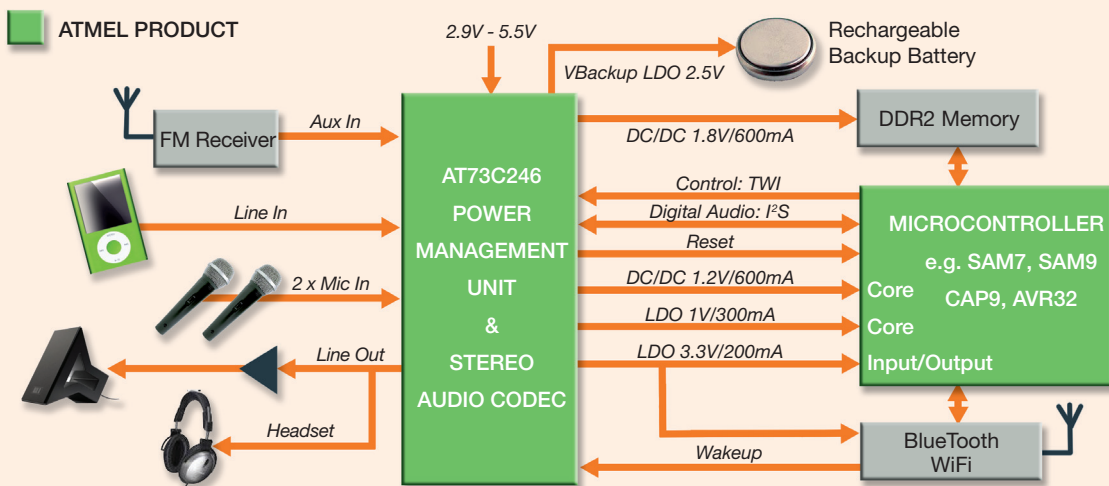
Multimedia systems such as portable media players are typically built around a microcontroller, memories, wireless communications ICs and audio input/output devices. The keys to their success are their audio quality and their power efficiency.

Atmel's AT73C246 is the ideal power management unit and stereo audio interface for such systems. It integrates, in a single device, a high-quality audio codec and multiple power supplies that are precisely adapted to the requirements of an MCU-based multimedia system. In particular, the AT73C246 is designed to interface directly to Atmel's AT91SAM9 and AT91CAP9 families of ARM9™- based microcontrollers and their DDR2 memories.

The AT73C246 reduces the system chip count by replacing a number of discrete voltage regulators. Operating from a single 2.9V to 5.5V power supply, it provides precisely calibrated voltages to all the other components of the system, and enables these components to be powered down selectively when not required. This keeps system power consumption to a minimum under all conditions of use.

The AT73C246 also provides high quality audio. It multiplexes the stereo inputs from two microphones, a line in and an auxiliary input, and provides stereo output for headphones or an external speaker amplifier. The audio inputs can be channeled directly to the output or digitized and transferred to the MCU for recording or processing. In playback mode, digital signals originating from the MCU are converted to high-fidelity analog for output.

By its high level of integration, precisely calibrated power supplies, configurable power management and high-quality audio, the AT73C246 reduces the cost, board space and power consumption of a wide range of multimedia applications while enhancing the sound quality.

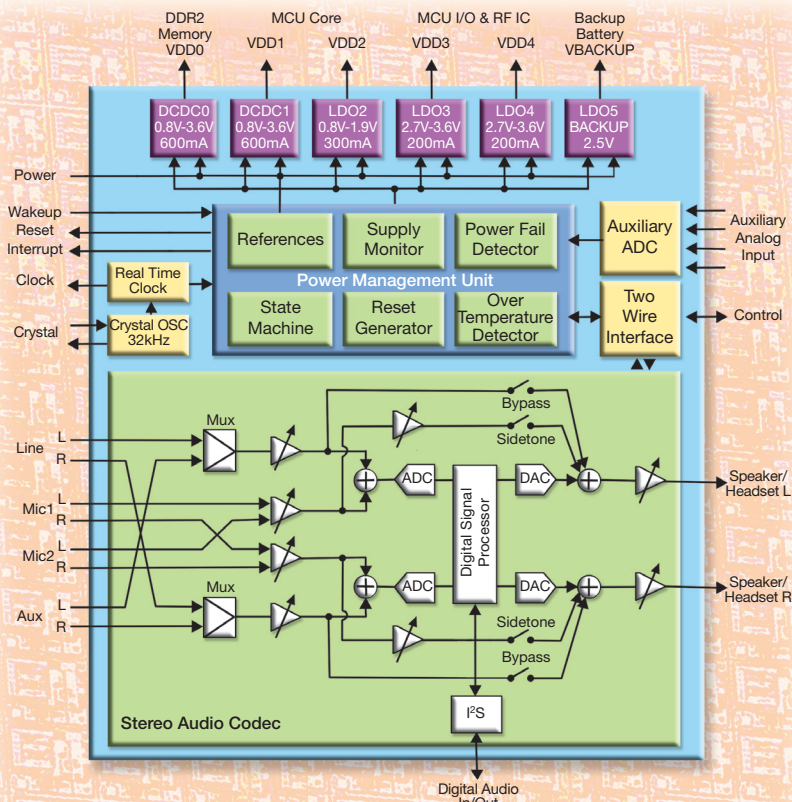


AT73C246 Application Example



➤ AT73C246

Power Management Unit and Stereo Audio Codec

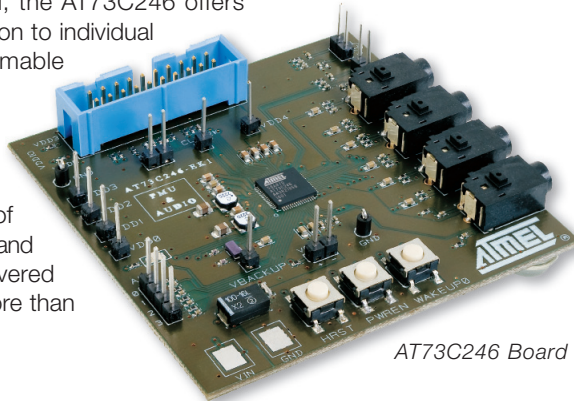


The audio input of the AT73C246 is built around a stereo ADC with a 96dB dynamic range. It multiplexes/mixes the inputs required by the majority of multimedia systems: two stereo microphones, an auxiliary input from, for example, a FM receiver, and a line in from, for example, a digital media player. The audio input can be passed directly to the stereo output if required, in bypass or sidetone mode that significantly reduces power consumption. Otherwise the audio stream is digitized and transferred to the MCU via the industry-standard I²S bus.

Digital sound output is transferred from the MCU via the I²S bus before passing through a 100dB dynamic range stereo DAC and output amplifiers that can directly drive a 60mW 16/32Ohm headset, or feed the input of a stereo speaker amplifier. These highly integrated audio features offer unsurpassed sound quality.

The PMU of the AT73C246 is built around a dedicated set of voltage regulators, each configurable in 50mV steps to provide precisely the voltage, current and noise immunity required by the MCU core and its I/Os, and also the memory and RF/analog sections in the multimedia system. Each supply channel features fast and accurate transient load responses, automatic ramping (digital voltage scaling), output voltage monitoring, and over-current protection. Through its TWI bus control, the AT73C246 offers numerous possibilities for power optimization. In addition to individual function shutdown, it saves power with a fully programmable standby and wake-up scenario where the application can be partially or fully powered down.

To further reduce the bill-of-materials and space requirements of the multimedia system, the AT73C246 also integrates a real-time-clock generator and a set of auxiliary analog inputs that drive a 10-bit ADC for sensing and measurement functions. Finally, the AT73C246 is delivered in a compact 7.5x7.5mm QFN package that saves more than 30% of board space over alternative solutions.



AT73C246 Board

Headquarters

Atmel Corporation
2325 Orchard Parkway
San Jose, CA 95131, USA
Tel.: (+1) (408) 441 0311
Fax: (+1) (408) 487 2600

International

Atmel Asia
Unit 1-5 & 16,
19/F BEA Tower
Millennium City 5
418 Kwun Tong Road
Kwun Tong, Kowloon
Hong Kong
Tel.: (852) 2245 6100
Fax: (852) 2722 1369

Atmel Europe
Le Krebs
8, rue Jean-Pierre Timbaud
B.P. 309
78054 Saint-Quentin-en-Yvelines
Cedex, France
Tel.: (33) 1 30 60 70 00
Fax: (33) 1 30 60 71 11

Atmel Japan
9F, Tonetsu Shinkawa Bldg.
1-24-8 Shinkawa
Chuo-ku, Tokyo 104-0033
Japan
Tel.: (81) 3 3523 3551
Fax: (81) 3 3523 7581

Product Contacts

Technical Support
www.atmel.com/products/powermanage

Sales Contacts
www.atmel.com/contacts

Web Site
www.atmel.com

© 2010 Atmel Corporation.
All rights reserved. Atmel®, Atmel logo and combinations thereof, and others are registered trademarks or trademarks of Atmel Corporation or its subsidiaries. ARM® and others are registered trademarks or trademarks of ARM Ltd. Other terms and product names may be trademarks of others.

Rev.: 11058A-PMAAC-04/10/2M

Disclaimer: The information in this document is provided in connection with Atmel products. No license, express or implied, by estoppel or otherwise, to any intellectual property right is granted by this document or in connection with the sale of Atmel products. EXCEPT AS SET FORTH IN ATMEL'S TERMS AND CONDITIONS OF SALES LOCATED ON ATMEL'S WEB SITE, ATMEL ASSUMES NO LIABILITY WHATSOEVER AND DISCLAIMS ANY EXPRESS, IMPLIED OR STATUTORY WARRANTY RELATING TO ITS PRODUCTS INCLUDING, BUT NOT LIMITED TO, THE IMPLIED WARRANTY OF MERCHANTABILITY, FITNESS FOR A PARTICULAR PURPOSE, OR NON-INFRINGEMENT. IN NO EVENT SHALL ATMEL BE LIABLE FOR ANY DIRECT, INDIRECT, CONSEQUENTIAL, PUNITIVE, SPECIAL OR INCIDENTAL DAMAGES (INCLUDING, WITHOUT LIMITATION, DAMAGES FOR LOSS AND PROFITS, BUSINESS INTERRUPTION, OR LOSS OF INFORMATION) ARISING OUT OF THE USE OR INABILITY TO USE THIS DOCUMENT, EVEN IF ATMEL HAS BEEN ADVISED OF THE POSSIBILITY OF SUCH DAMAGES. Atmel makes no representations or warranties with respect to the accuracy or completeness of the contents of this document and reserves the right to make changes to specifications and products descriptions at any time without notice. Atmel does not make any commitment to update the information contained herein. Unless specifically provided otherwise, Atmel products are not suitable for, and shall not be used in, automotive applications. Atmel's products are not intended, authorized, or warranted for use as components in applications intended to support or sustain life.

