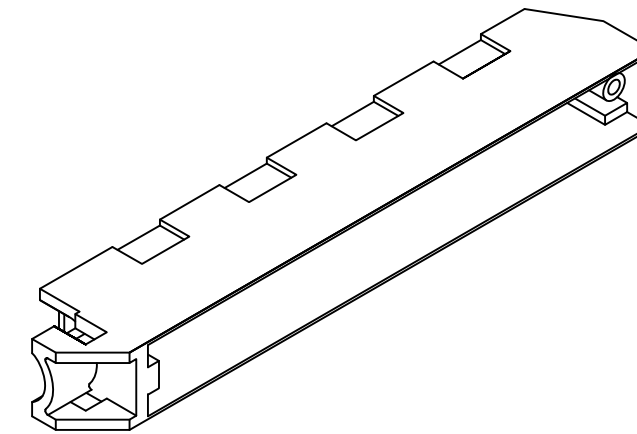
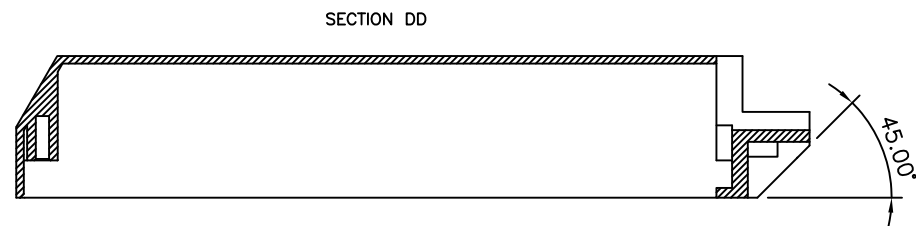
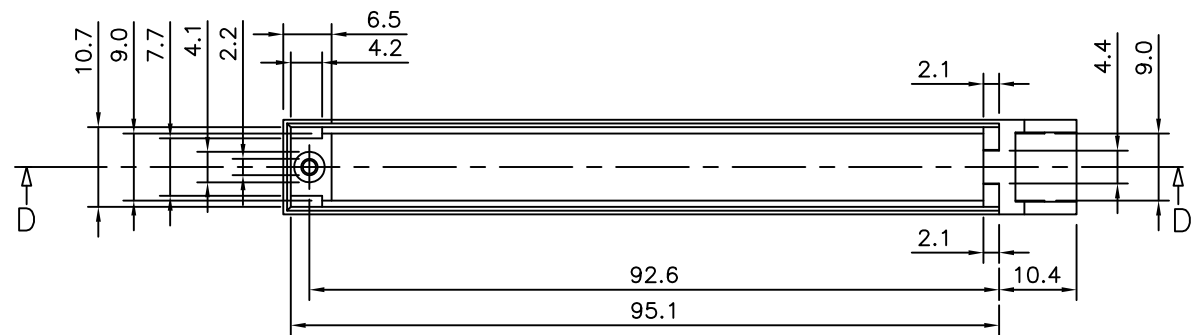
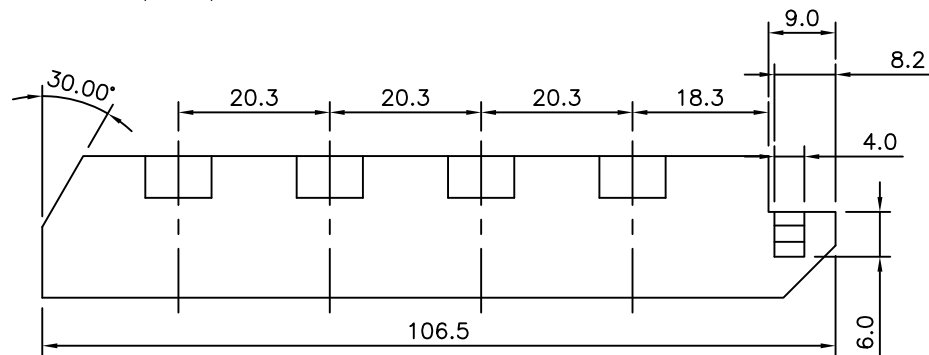
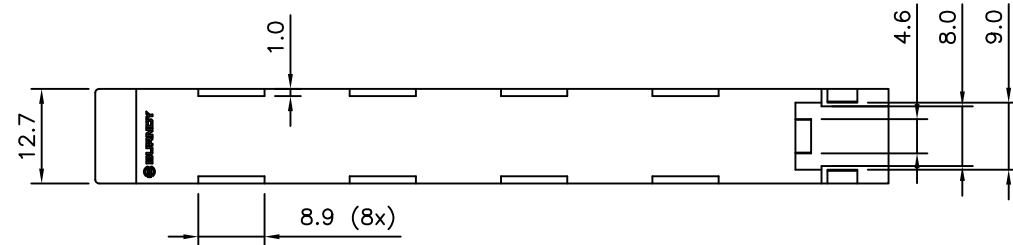
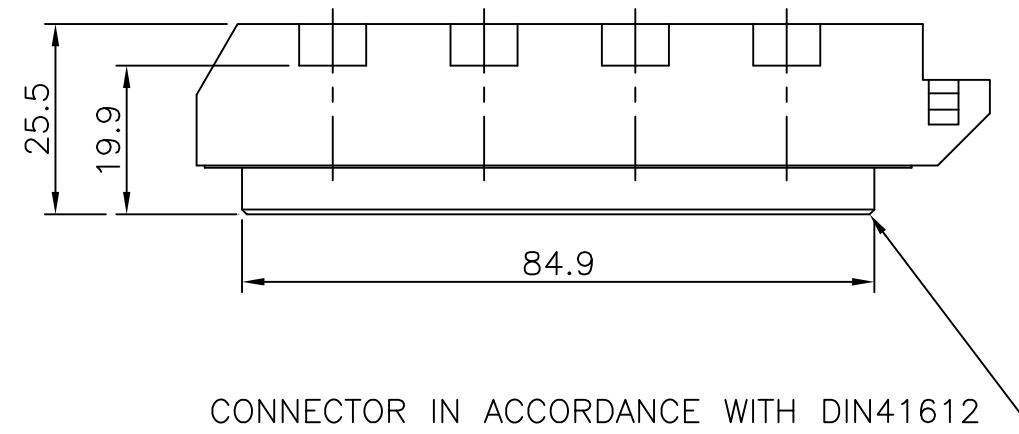


PRODUCT NUMBER BPBS8B96CAP2

PRODUCT NUMBER BPBS8B96CAP2LF — RøHS COMPATIBLE



ASSEMBLED VIEW



CONNECTOR IN ACCORDANCE WITH DIN41612

NOTES:

- BPBS8B96CAP2 = LOW PROFILE COVER (BPBS8B96P5) + MOUNTING SCREW (HPTE1604)
- BPBS8B96CAP2LF = LOW PROFILE COVER (BPBS8B96P5) + MOUNTING SCREW (HPTE1604LF)
- LOW PROFILE COVER : GLASS-FILLED PPO MATERIAL
- CABLE DIAMETER 8 MM. MAX.
- " LF " SUFFIX TO PRODUCT NUMBER FOR RøHS COMPLIANT/LEADFREE PRODUCTS.
- OPTIONAL : TIE WRAP (TF4); MAX. WIDTH = 3,9 MM

NOTES:-

1. THE "LF" PRODUCTS MEET EUROPEAN UNION DIRECTIVES AND OTHER COUNTRY REGULATIONS AS DESCRIBED IN GS-22-008.
2. LEAD FREE OR RøHS DIRECTIVE LABELING TO BE PROVIDED AS PER GS-14-920 FOR RøHS COMPLIANT/ LEAD FREE VERSION.

mat'l. code				surface		tolerance		projection		product family	
SEE NOTE				ISO 1302 ✓		ISO 406 ISO 1101		mm		BPS8	
tolerances unless otherwise specified				0.1±0.01		0.01±0.05		mm		title	
angles				linear		±0'30'		scale 1.5:1		ASSY BPS8 96 POS. COVER SET	
D				ELX-I-26604		MJA		2017-04-10		dr	
D				D.LEGRAND		2000-10-20		engr		J.F.NOTTEAU	
D				chr		RAKHEE GEORGE		2006-06-01		Amphenol FCi	
D				appd		RAKHEE GEORGE		2006-06-01		dwg no	
sheet index				revision sheet		D		1		sheet 1 of 1	
sheet index				revision sheet		D		1		size	
sheet index				revision sheet		D		1		A3	
sheet index				revision sheet		D		1		type	
sheet index				revision sheet		D		1		Product Customer Drawing	