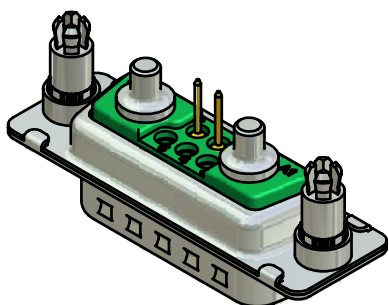
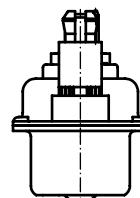
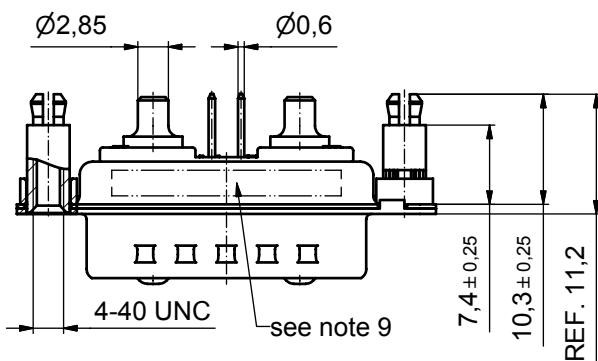
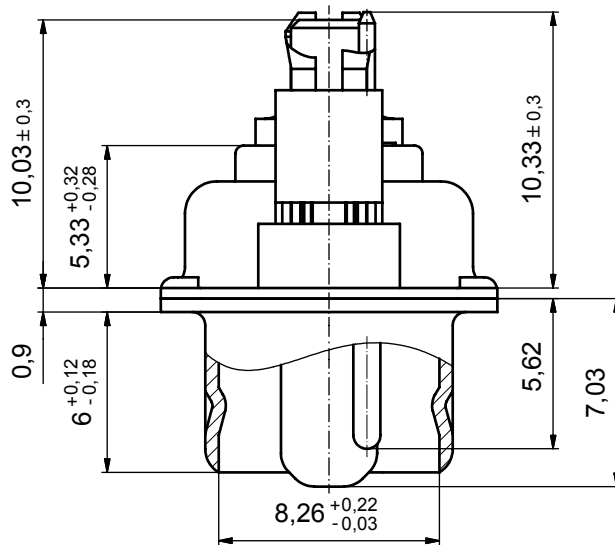
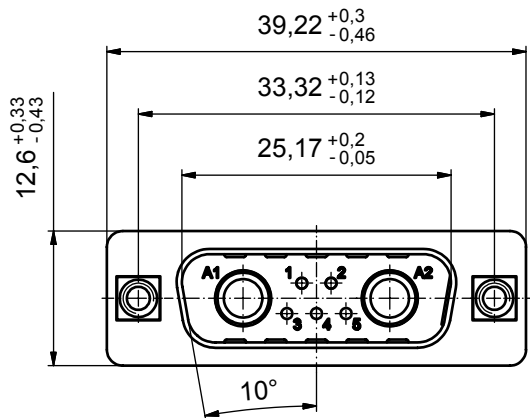


(5:1)



Directive 2002/95/EC
"RoHS"
Compliant

NOTES:

1. METALSHELLS: STEEL; min. 315µin TIN over 40-80µin NICKEL
2. INSULATORS: PBT GF UL 94 V-0; GREEN
3. HIGH POWER CONTACTS 20A: COPPER ALLOY
PLATING MATING AREA: 30µin HARD GOLD over min. 50µin NICKEL
PLATING TERMINATION SIDE: 160-240µin TIN over 80µin NICKEL
MALE CONTACT ON POS. A1 and A2
4. SIGNAL CONTACTS: COPPER ALLOY; 7,5A nominal
PLATING MATING AREA: 30µin HARD GOLD over min. 50µin NICKEL
MALE CONTACTS ON POS. 1 and 2, NO CONTACTS ON POS. 3, 4, 5
5. THREADED SPACER CLIP: COPPER ALLOY; min. 200µin TIN over 80µin NICKEL
PCB-HOLE: $\varnothing 3,1 \pm 0,1$ mm; PCB-THICKNESS: 1,6mm
6. P.C.B. HOLE DRILLINGS ON SHEET 2
7. COLLAR: COPPER ALLOY; min. 200µin TIN over 80µin NICKEL
8. MAXIMUM TORQUE VALUE FOR THREAD: 6" LBS
9. CONNECTOR IS PART MARKED: 13-000121 CONEC ABC

APPROVAL # FREIGABE # DEBLOCAGE # AUTORIZACION # APPROVAL	APPROVAL # FREIGABE # DEBLOCAGE # AUTORIZACION # APPROVAL
CUSTOMER APPROVAL DATE:	
NAME:	TITLE:
COMPANY NAME:	
APPROVAL # FREIGABE # DEBLOCAGE # AUTORIZACION # APPROVAL	APPROVAL # FREIGABE # DEBLOCAGE # AUTORIZACION # APPROVAL

THIS DRAWING MAY NOT BE COPIED OR REPRODUCED IN ANY WAY, AND MAY NOT BE PASSED ON TO A THIRD PARTY WITHOUT WRITTEN PERMISSION. OWNERSHIP AND COPYRIGHT OF CONEC GmbH DO NOT ALTER CAD DRAWING BY HAND				tolerance		 dim. in mm	scale: 2:1 (5:1)
				date			material: see notes
rev.	description	date	name	drawn	date	name	Micro TCA Single Port Power Module Input Connector Male with threaded spacer clip
a	Origin			appd.	15.06.07	Koch	
				norm			
				d-old			
				CONEC ®		dwg no: Inventor 10 DIN-A3	
						part no: 13-000121 sh: 1	

