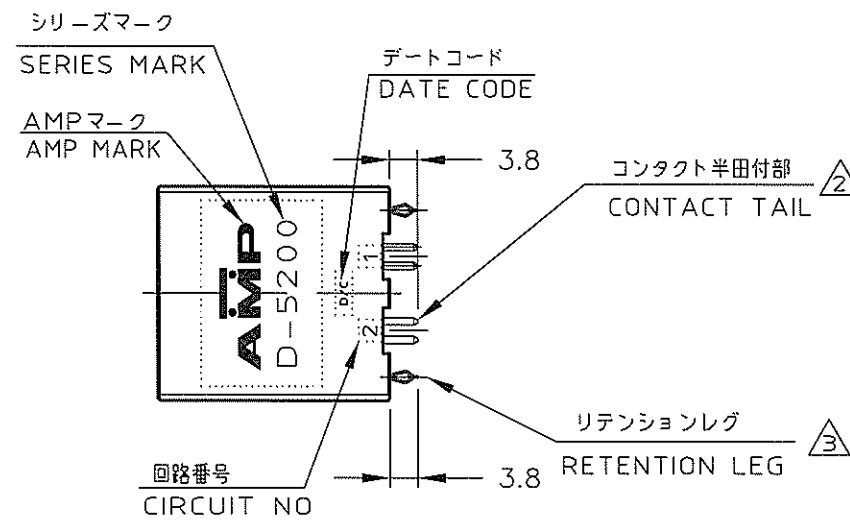
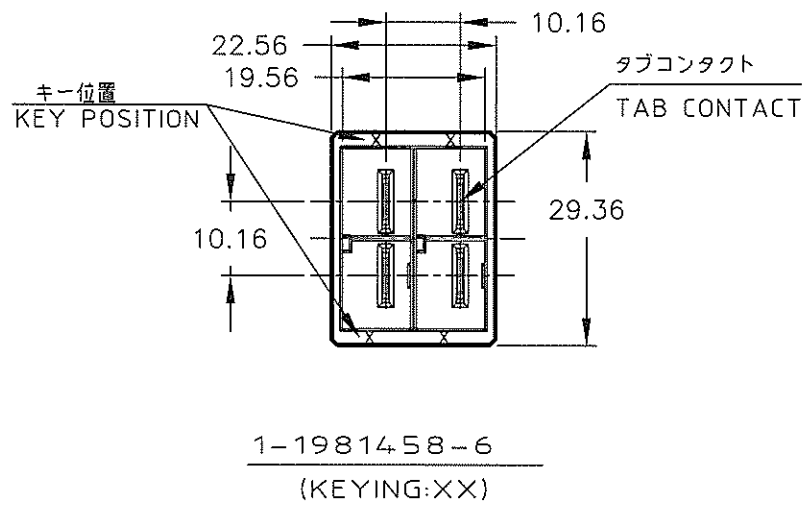
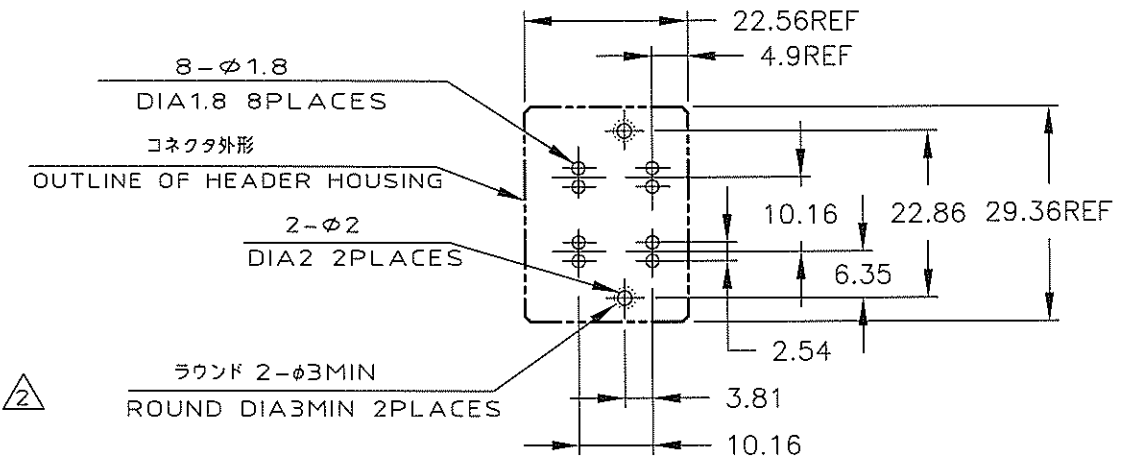
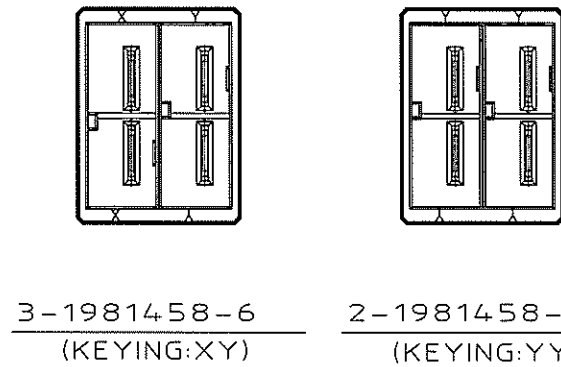
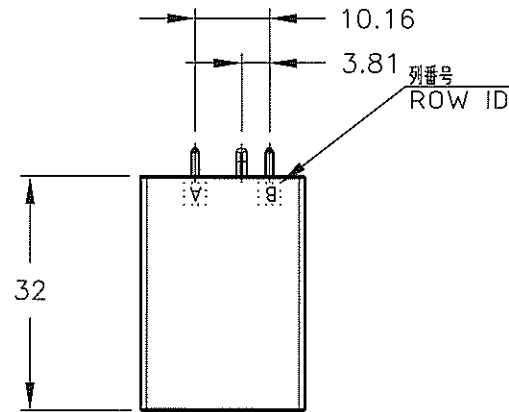


THIS DRAWING IS UNPUBLISHED. RELEASED FOR PUBLICATION .1997 .
 © COPYRIGHT 1997 BY AMP INCORPORATED. ALL RIGHTS RESERVED.

LOC		DIST		REVISIONS				
P	LTR	DESCRIPTION	ECN	DATE	OWN	APVD		
	A	RELEASED		28MAR2007	T.S	D.M		



推奨基板取付け穴寸法 (公差: ±0.05)
 PC 基板厚: 1.6 ~ 2.4 ±0.1
 (コネクタ搭載面)
 RECOMENDED PC BOARD HOLE PATTERN (TOL: ±0.05)
 PC BOARD THICKNESS: 1.6 ~ 2.4 ±0.1
 (CONNECTOR MOUNT SIDE)

NOTES

- MATERIAL: HOUSING: GLASS FILLED THERMO PLASTIC, POLYESTER (94V-0), COLOR: BLACK
 TAB CONTACT: COPPER ALLOY
 RETENTION LEG: BRASS
- FINISH (CONTACT AREA): ALL OVER 2.54 μm MIN SILVER PLATING OVER NI PLATING
- FINISH (RETENTION LEG): TIN-LEAD PLATED OVER NICKEL.

注記

- 材料: ハウジングガラス入り熱可塑性ポリエステル樹脂 (94V-0), 色: 黒
 タブコンタクト: 銅合金
 リテンションレグ: 黄銅
- めっき: コンタクト: Ni 下地の下に 2.54 μm MIN 全面銀めっき
- めっき: リテンションレグ: ニッケル下地の下にスズめっき

XY	②	3-1981458-6
YY	②	2-1981458-6
XX	②	1-1981458-6
KEY TYPE	コンタクトのめっき (FINISH)	製品番号 (PART NO.)

THIS DRAWING IS A CONTROLLED DOCUMENT FOR AMP INCORPORATED. IT IS SUBJECT TO CHANGE AND THE CONTROLLING ENGINEERING ORGANIZATION SHOULD BE CONTACTED FOR THE LATEST REVISION.		WIRE RANGE 地合電線断面積	INSULATION DIA 被覆外径
DOWNS T.SAKAMOTO 27/MAR/'07		Tyco Electronics AMP K.K. Kawasaki, Japan	
CHK D.MITSUGI 27/MAR/'07		NAME 2列 ヘッダーアセンブリー 4P (垂直 タイプ) DOUBLE ROW HEADER ASS'Y 4P ("V" TYPE) <DYNAMIC D-5200D>	
APVD D.MITSUGI 27/MAR/'07		DRAWING NO C-1981458	
DIMENSIONS: 単位 種 mm		SIZE A3	
TOLERANCES UNLESS OTHERWISE SPECIFIED 一般公差 10% ±0.3 30% >10 ±0.35 10% >30 ±0.4 ANGLE: ±3'		CAGE CODE 00779	
MATERIAL 材料 注記参照 SEE NOTE		WEIGHT 114-5206	
FINISH 仕上 注記参照 SEE NOTE		SCALE 1-1	
CUSTOMER DRAWING		SHEET 1 OF 1 REV A	