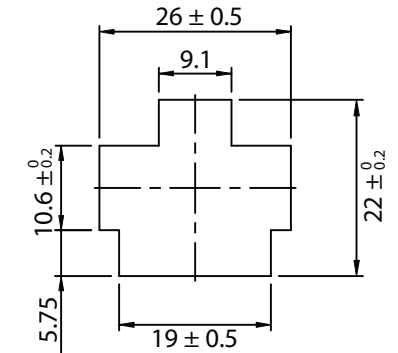
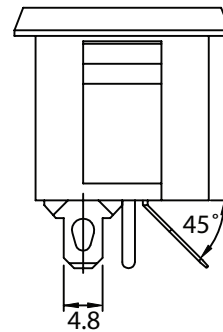
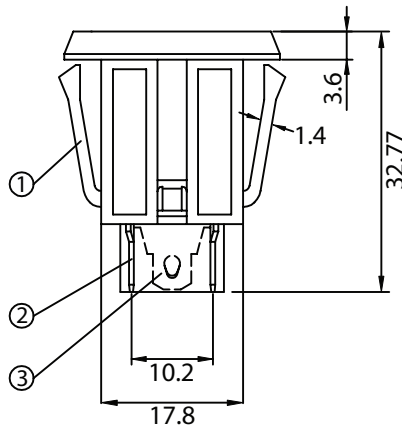
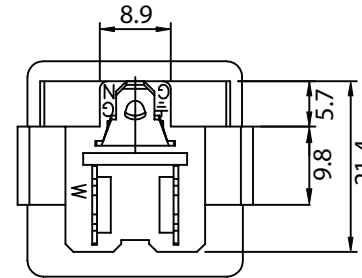
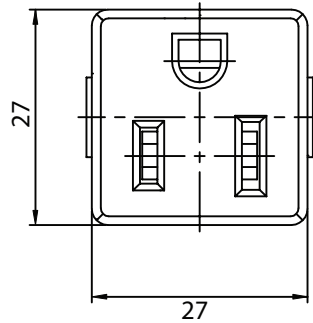


THESE DRAWINGS ARE THE PROPERTY OF QUALTEK ELECTRONICS AND NOT TO BE REPRODUCED FOR OR COMMUNICATED TO A THIRD PARTY WITHOUT THE EXPRESS WRITTEN PERMISSION OF AN OFFICER OF QUALTEK ELECTRONICS.

| REVISION | | | |
|----------|------------------------|----------|----------|
| REV. | DESCRIPTION | DATE | APPROVED |
| B | RoHS Compliancy | 06-01-06 | DP |
| C | Updated Specifications | 01-10-08 | DP |
| D | Updated Notes | 11-13-08 | LY |



PANEL THICKNESS RANGE: 0.8mm~2.0mm

CONTROLLED

NOTES:

RATING: 15A 125V AC
 MATERIAL: UL94-V0
 APPROVALS: UL, cUL, CSA
 PANEL THICKNESS: 0.8mm~2.0mm
 MAXIMUM OPERATING TEMPERATURE: 105°C
 RoHS COMPLIANT

| | | |
|---|--|---|
| 3 | Soldering PIN B 0.6t Tin-Plated | 1 |
| 2 | Soldering PIN A 0.6t Tin-Plated | 2 |
| 1 | Body Insulator NYLON 21SP Color: Black | 1 |

| Dim range (mm) | Tolerance +/- (mm) | Qualtek Electronics Corp. PPC DIVISION | | |
|----------------|--------------------|---|----------------|-----------------|
| | | Part Number: | 738W-X2/03 | |
| 0-1 | 0.15 | Description: NEMA 5-15 RECEPTACLE | | |
| 1-6 | 0.20 | | | |
| 6-18 | 0.30 | UNIT: mm | REV.D | |
| 18-50 | 0.50 | | | |
| 50-120 | 0.70 | Drawn / Date | Checked / Date | Approved / Date |
| 120-250 | 0.90 | B.ZHANG 01-29-04 | 01-29-04 | JJH / 01-29-04 |
| 250-500 | 1.20 | | | |