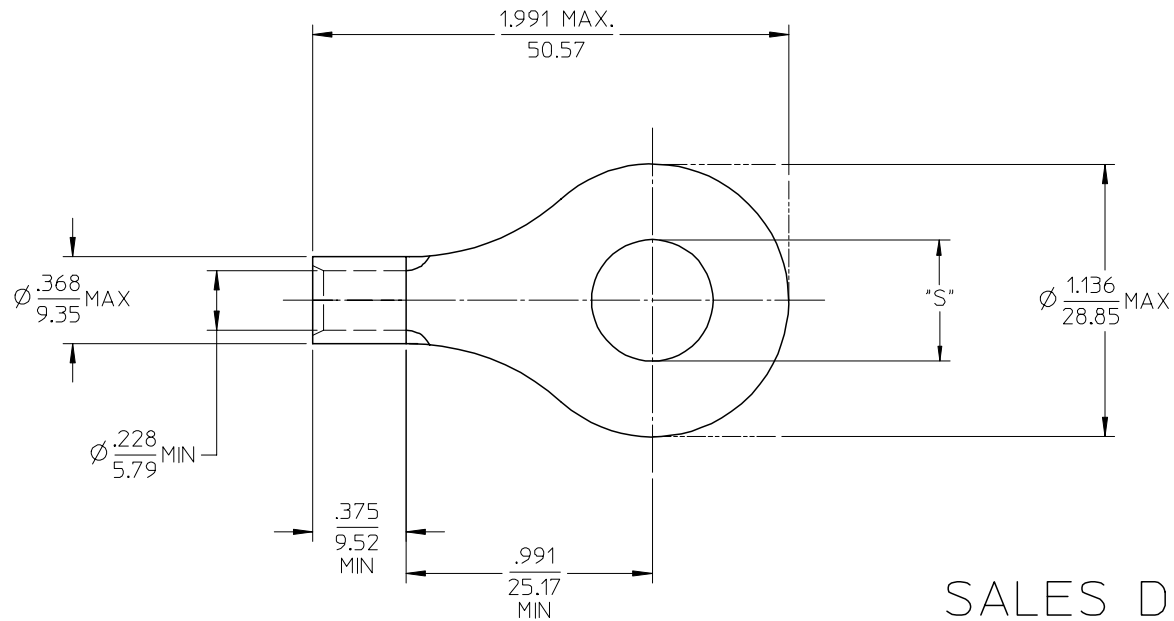


MATERIAL NO. LOOSE PIECE	ENG. NO.	STUD SIZE	±.003 "S"	STOCK THICKNESS
191930237	E-359-14	1/4	.265	.050/(1.27) (B)
191930240	E-359-56	5/16	.328	
191930239	E-359-38	3/8	.390	
191930242	E-359-76	7/16	.453	
191930236	E-359-12	1/2	.515	
191930241	E-359-58	5/8	.656	
191930238	E-359-34	3/4	.781	



SALES DRAWING

- NOTE(S):
1. MATERIAL: COPPER
 2. PLATING: ELECTROPLATE TIN
 3. ALL DIMENSIONS IN INCHES/(MM).
 4. WIRE SIZE: 6 AWG
16 MM²
 5. PART IS ROHS COMPLIANT.

REVISED MATL THKNS EC NO: ETC2007-0003 DRW: NEHLE 2006/07/17 CHKD: MACNEIL 2006/07/19 APPR: ROERSS 2006/07/26	QUALITY SYMBOLS	GENERAL TOLERANCES (UNLESS SPECIFIED)	DIMENSION STYLE	SCALE	DESIGN UNITS	THIRD ANGLE PROJECTION
	▽=0	mm INCH	IN/MM	2:1	INCH	
	▽=0	4 PLACES ± --- ± ---	DRAWN BY DATE	TITLE	RING TONGUE TERMINAL VERSAKRIMP SERIES 6 AWG	
		3 PLACES ± --- ± .005	DLM 03/07/28			
	2 PLACES ± 0.13 ± .01	CHECKED BY DATE	MOLEX INCORPORATED			
	1 PLACE ± 0.25 ± ---	HEB 03/07/28				
	ANGULAR ±1/2°	APPROVED BY DATE	SD-19193-031			
		RWD 03/07/28				
	DRAFT WHERE APPLICABLE MUST REMAIN WITHIN DIMENSIONS	MATERIAL NO.	SHEET NO.			
		SEE CHART	1 OF 1			
		SIZE B	THIS DRAWING CONTAINS INFORMATION THAT IS PROPRIETARY TO MOLEX INCORPORATED AND SHOULD NOT BE USED WITHOUT WRITTEN PERMISSION			