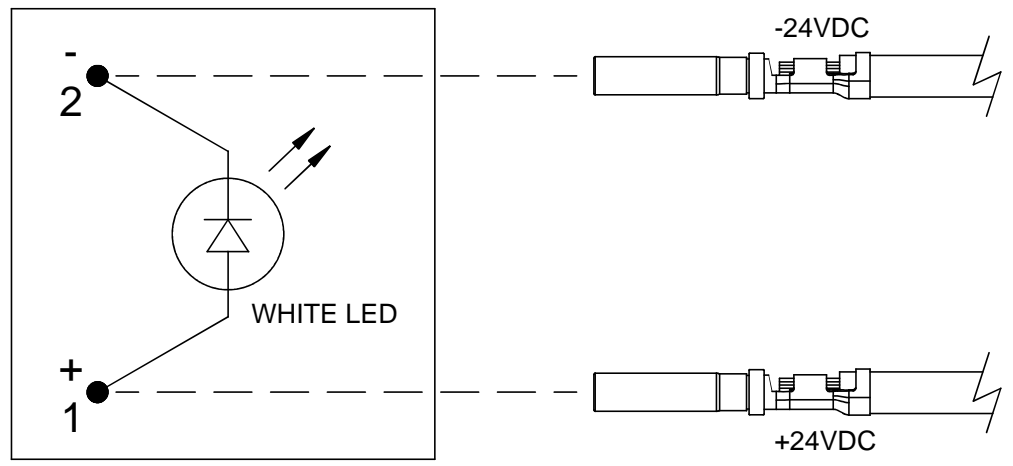
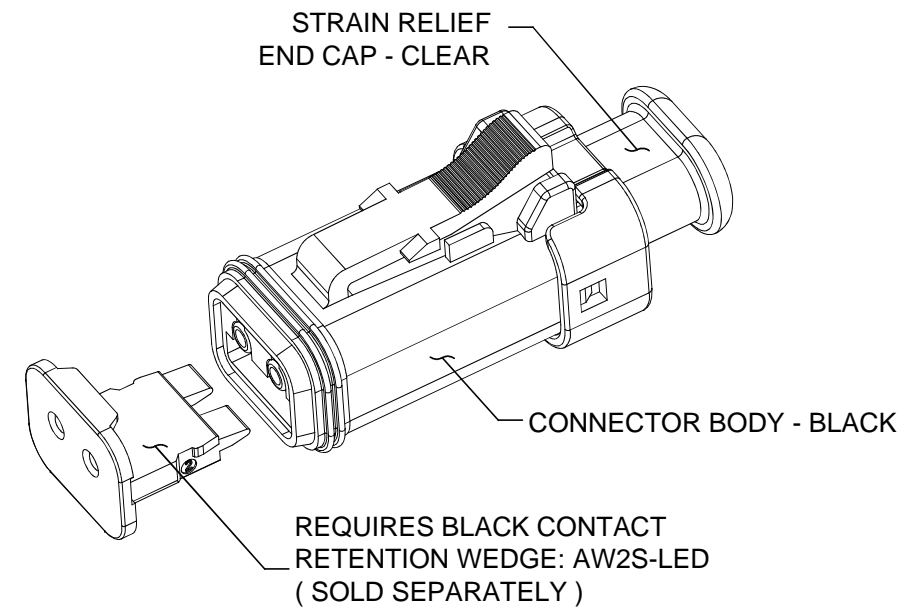
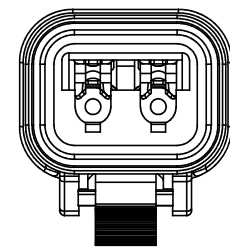
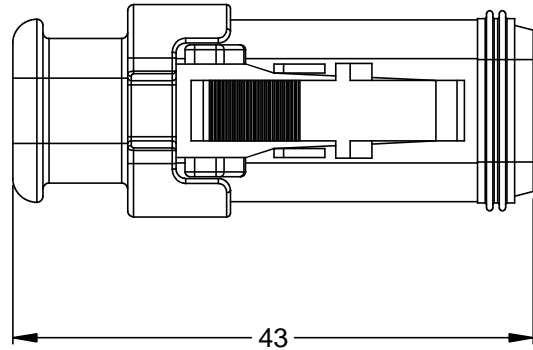
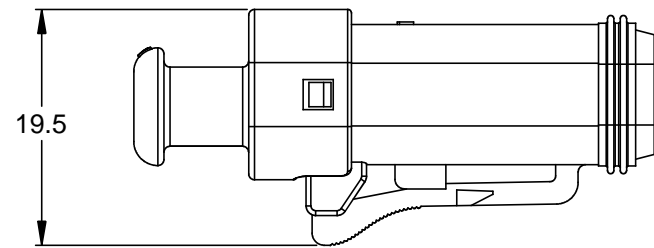
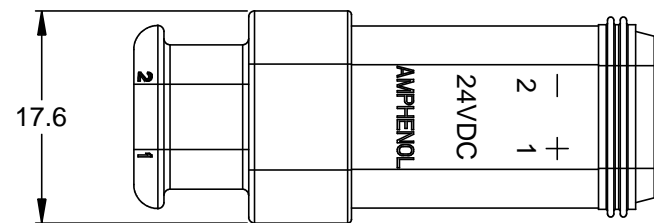


REVISIONS					
REV	ECO	DESCRIPTION	DATE	BY	APPR
A3	-	RELEASE NEW DWG FORMAT	09/16/13	DRP	-
A4	-	ADDED REFERENCE VIEW OF CONTACT RETENTION WEDGE	16SEP13	DRP	-



NOTES: UNLESS OTHERWISE SPECIFIED

1. MATERIAL:  
HOUSING: THERMOPLASTIC; BLACK  
SEAL: SILICONE RUBBER
2. MODIFICATIONS: LIGHT EMITTING DIODE;  
STRAIN RELIEF END CAP
3. CONNECTOR SPECIFICATIONS:
  - 3.1 CURRENT RATING: 13 AMPS
  - 3.2 DIELECTRIC WITHSTANDING VOLTAGE: LESS THAN 2 MILLIAMPS CURRENT LEAKAGE @ 1500 VOLTS AC.
  - 3.3 INSULATION RESISTANCE: 1000 MEGOHMS MIN @ 25°C.
  - 3.4 MOISTURE RESISTANCE: IP67 ( MATED CONDITION )
  - 3.5 MATING CYCLE DURABILITY: 100 CYCLES
  - 3.6 ROHS COMPLIANT
4. LED SPECIFICATIONS:
  - 4.1 FORWARD CURRENT: 4 MILLIAMPS TYPICAL;  
6 MILLIAMPS MAXIMUM
  - 4.2 REVERSE CURRENT: 50 MICROAMPS MAXIMUM
  - 4.3 POWER DISSIPATION: 130 MILLIWATTS MAXIMUM
  - 4.4 FORWARD VOLTAGE: 26 VOLTS MAXIMUM
  - 4.5 REVERSE VOLTAGE: 5 VOLTS MAXIMUM
  - 4.6 LUMINOUS INTENSITY: 1 CANDELA @ 24 VOLTS

5. MATING PART: AT04-2P\* RECEPTACLE  
(\* = MODIFICATIONS AND COLORS)
6. ALL DIMENSIONS ARE FOR REFERENCE USE ONLY.

**7** CONTACT SIZE AND REAR SEAL WIRE RANGE:

CONTACT SIZE	MIN. INSUL O.D.	MAX. INSUL O.D.	TYPICAL WIRE RANGE
16	2.24 mm (.088 in)	3.68 mm (.145 in)	14 - 20 AWG

LED CONNECTOR DIAGRAM

AT06-2S-LED2401		CONNECTOR, LED, 24 VDC, LESS CONTACT WEDGE		ITEM	
PART NUMBER		DESCRIPTION			
QUANTITY	MATERIALS LIST				
UNLESS OTHERWISE SPECIFIED 1) All dimensions are in metric(mm). 2) Tolerances are as follows: 1 PL DEC ±0.30 2 PL DEC ±0.15 3 PL DEC ±0.08 Fractions ±1/64 Angles ±1° 3) Note reference = <b>X</b>		SIGNATURES DRAWN: D.PARKS CHECKED: ENGINEER: APPROVAL:	DATE 16SEP13	<h1 style="text-align: center;">Amphenol</h1> <p style="text-align: center;">Sine Systems - www.amphenol-sine.com 44724 Morley Drive Clinton Township, MI 48036</p> <p style="text-align: center;"><b>AT SERIES, 2-WAY, PLUG, LED, 24V, CLEAR END CAP, BLACK BODY</b></p>	
MATERIAL SPECIFICATIONS:		CUSTOMER:			
PROCESS SPECIFICATIONS:		THIS DRAWING IS SUPPLIED FOR INFORMATION ONLY. DESIGN FEATURES, SPECIFICATIONS AND PERFORMANCE DATA SHOWN HEREON ARE THE PROPERTY OF THE AMPHENOL CORPORATION. NO RIGHTS OF REPRODUCTION ARE IMPLIED. ALL DIMENSIONS ARE SUBJECT TO NORMAL MANUFACTURING VARIATIONS.			
NEXT ASSY:	SCALE: NONE	SIZE: <b>B C-</b>	DWG NO: <b>AT06-2S-LED2401</b>	REVISION: <b>A4</b>	
			SHEET 1 OF 1		

TITLE: AT SERIES, 2-WAY, PLUG, LED, 24V, CLEAR END CAP, BLK BODY  
DWG NO: AT06-2S-LED2401  
REV: A4  
SH: 1  
OF: 1