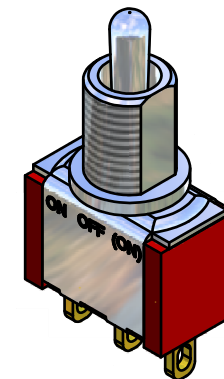
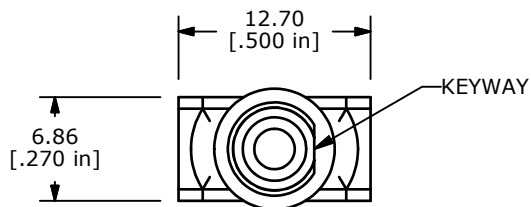


WITHOUT LOCKING RING WITH STANDARD LOCKING RING

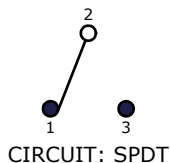
PANEL MOUNTING



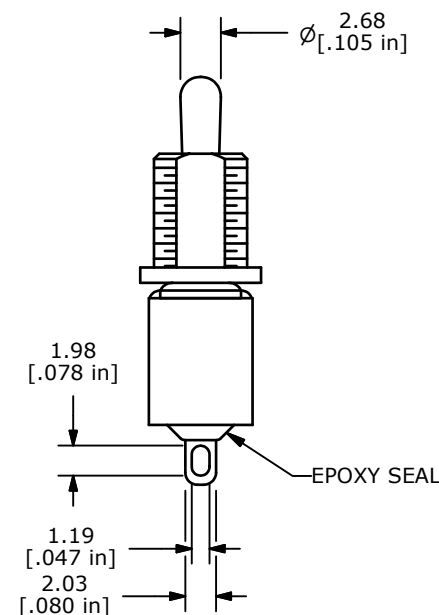
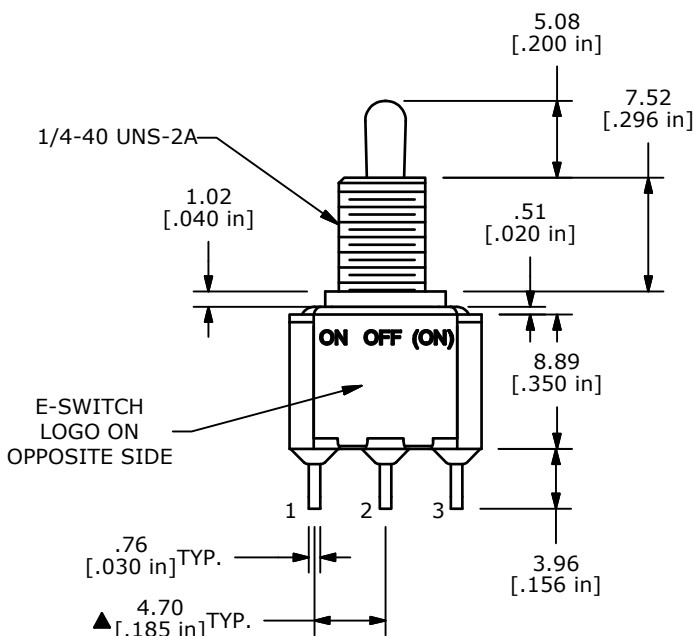
ISOMETRIC

SWITCH FUNCTION		
POS. 1	POS. 2	POS. 3
ON	OFF	(ON)
2-3	OPEN	2-1

(ON)=MOMENTARY



CIRCUIT: SPDT



NOTE:

- ALL DIMENSIONS IN MM [INCH]
- GENERAL TOLERANCE: X.X=±0.4
X.XX=±0.25
- TERMINAL NUMBERS FOR REF ONLY
- PLATING MATERIAL: SILVER
- ▲ 5. RATING: 2A @250VAC
5A @120VAC OR 28VDC B
- ELECTRIC LIFE: 40,000 MAKE-AND-BREAK CYCLES AT FULL LOAD.
- INSULATION RESISTANCE: 1,000 MΩ MIN.
- DIELECTRIC STRENGTH: 1,000 V RMS @SEA LEVEL.
- OPERATING TEMP.: -30°C to 85°C
- ▲ DENOTES CRITICAL PARAMETER.
- HARDWARE TO BE SHIPPED BULK
T100000 - HEXNUT - QTY 2
T100011 - LOCKWASHER - QTY 1
T100002 - LOCKRING - QTY 1
- 2002/95/EC (ROHS) COMPLIANT

TITLE 100SP5T2B5M1QEH				
SCALE	2:1	DATE	2/8/2011	DR
				BMA
			DRG	ST115032
			REV	B

THE INFORMATION CONTAINED IN THIS DOCUMENT IS PROPRIETARY TO E-SWITCH AND IS NOT TO BE COPIED OR TRANSFERRED