

Type 1/2 surge protection device - POWERSET BC/3+1-100/FM - 2858467

Please be informed that the data shown in this PDF Document is generated from our Online Catalog. Please find the complete data in the user's documentation. Our General Terms of Use for Downloads are valid (<http://phoenixcontact.com/download>)



AEC arrester combination consisting of 3 x FLT 35 CTRL-0,9; 3 x VAL-MS 230/FM and 1 x FLT 100 N/PE CTR-1,5, incl. bridges and labeling



Key commercial data

Packing unit	1 pc
Weight per Piece (excluding packing)	1279.5 GRM
Custom tariff number	85363030
Country of origin	Germany

Technical data

Dimensions

Height	112.4 mm
Width	142 mm
Depth	65.5 mm
Horizontal pitch	8 Div.

General

IEC test classification	I + II
EN type	T1 + T2
Mounting type	DIN rail: 35 mm
Color	black
Housing material	PA 6.6-FR
Type	DIN rail module, two-section, divisible
Surge protection fault message	Optical (Type 2 arrester), remote indication contact (Type 2 arrester)

Protective circuit

Maximum continuous operating voltage U_C (L-PE)	260 V AC
Nominal discharge current I_n (8/20) μ s	35 kA

Type 1/2 surge protection device - POWERSET BC/3+1-100/FM - 2858467

Technical data

Protective circuit

Voltage protection level U_p (L-N)	≤ 0.9 kV
Voltage protection level U_p (L-PE)	≤ 1.5 kV
Voltage protection level U_p (N-PE)	≤ 1.5 kV
Max. required backup fuse with branch wiring	125 A (gL)

Indicator/remote signaling

Connection name	Remote fault indicator contact
Switching function	PDT contact
Conductor cross section stranded min.	0.14 mm ²
Conductor cross section stranded max.	1.5 mm ²
Conductor cross section solid min.	0.14 mm ²
Conductor cross section solid max.	1.5 mm ²
Conductor cross section AWG/kcmil min.	28
Conductor cross section AWG/kcmil max	16

Connection data

Connection name	FLT...
Conductor cross section stranded min.	16 mm ²
Conductor cross section stranded max.	35 mm ²
Conductor cross section solid min.	10 mm ²
Conductor cross section solid max.	50 mm ²
Screw thread	M6
Tightening torque	8 Nm
Stripping length	19 mm

Classifications

eCl@ss

eCl@ss 4.0	27140201
eCl@ss 4.1	27140201
eCl@ss 5.0	27140201
eCl@ss 5.1	27140201
eCl@ss 6.0	27140201
eCl@ss 7.0	27140201
eCl@ss 8.0	27140201

ETIM

ETIM 2.0	EC001457
----------	----------

Type 1/2 surge protection device - POWERSET BC/3+1-100/FM - 2858467

Classifications

ETIM

ETIM 3.0	EC001457
ETIM 4.0	EC001457
ETIM 5.0	EC001457

UNSPSC

UNSPSC 6.01	30212010
UNSPSC 7.0901	39121610
UNSPSC 11	39121610
UNSPSC 12.01	39121610
UNSPSC 13.2	39121620

Approvals

Approvals


Approvals

GOST

Ex Approvals

Approvals submitted

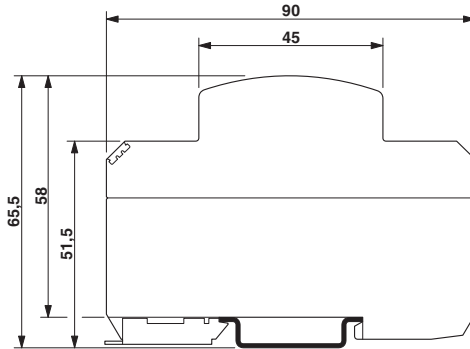
Approval details

GOST 
--

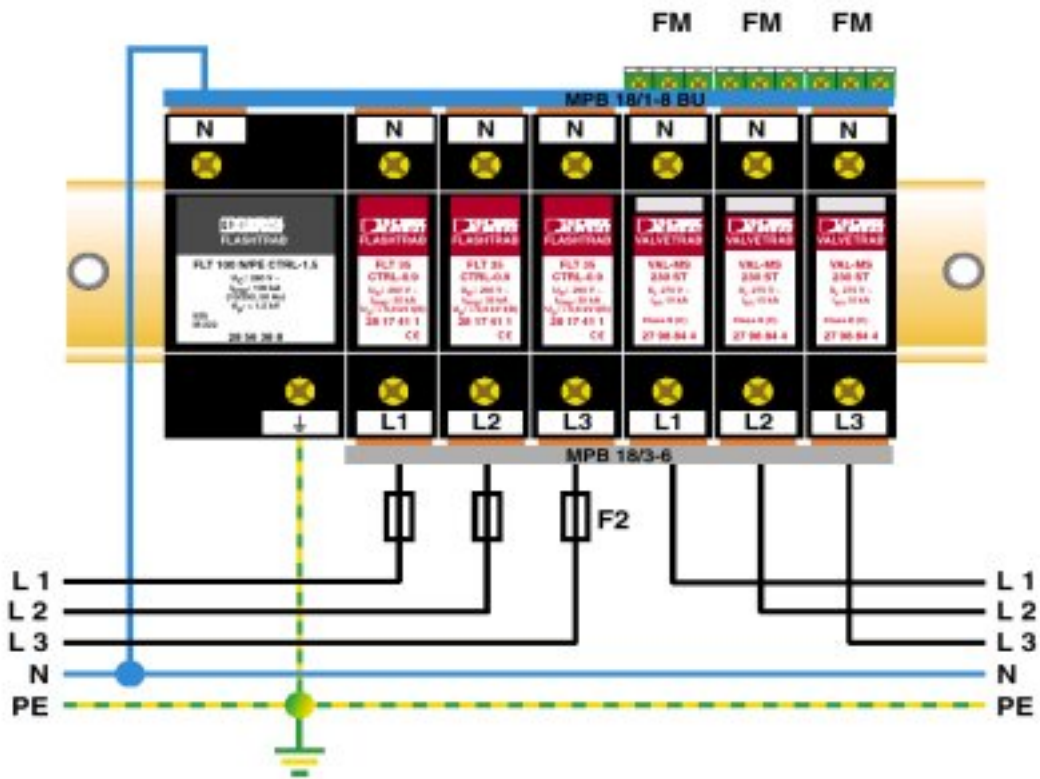
Drawings

Type 1/2 surge protection device - POWERSET BC/3+1-100/FM - 2858467

Dimensioned drawing



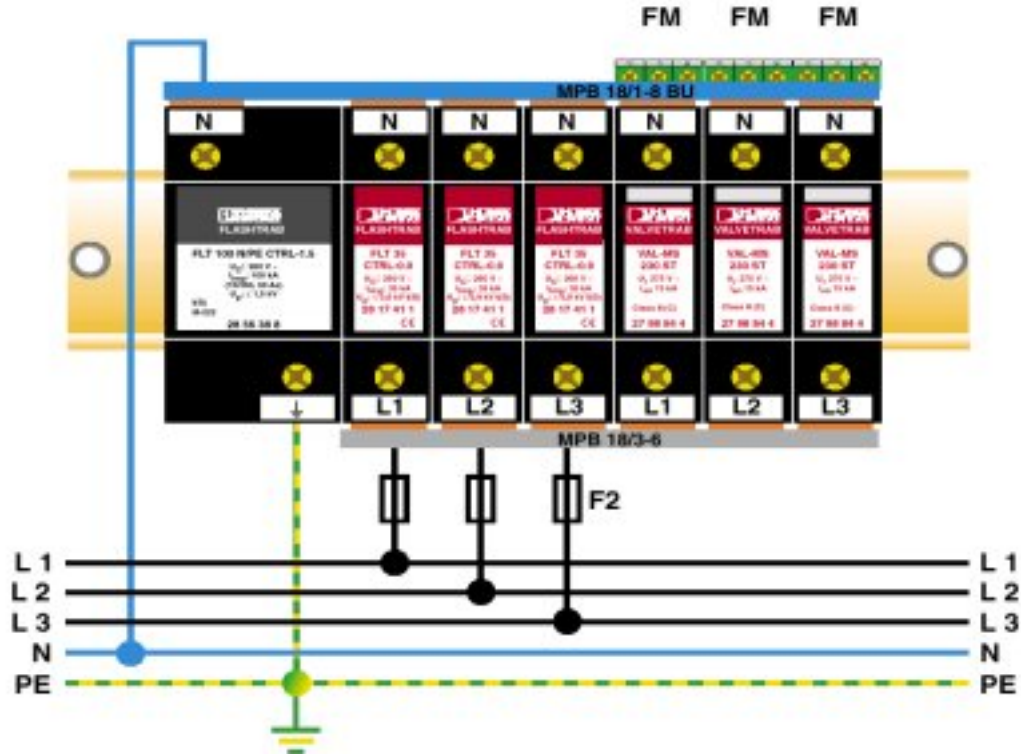
Application drawing



V-shaped connection $F2 \leq 80 \text{ A gl}$

Type 1/2 surge protection device - POWERSET BC/3+1-100/FM - 2858467

Application drawing



V-shaped connection $F2 \leq 125 \text{ A gl}$

Type 1/2 surge protection device - POWERSET BC/3+1-100/FM - 2858467

Circuit diagram

