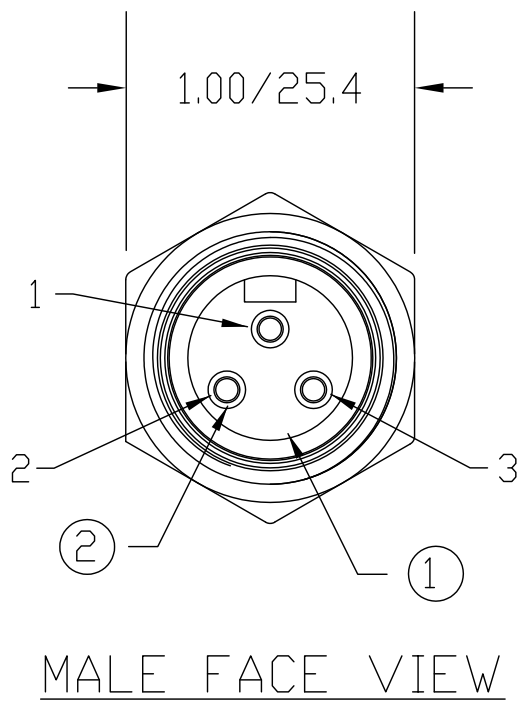
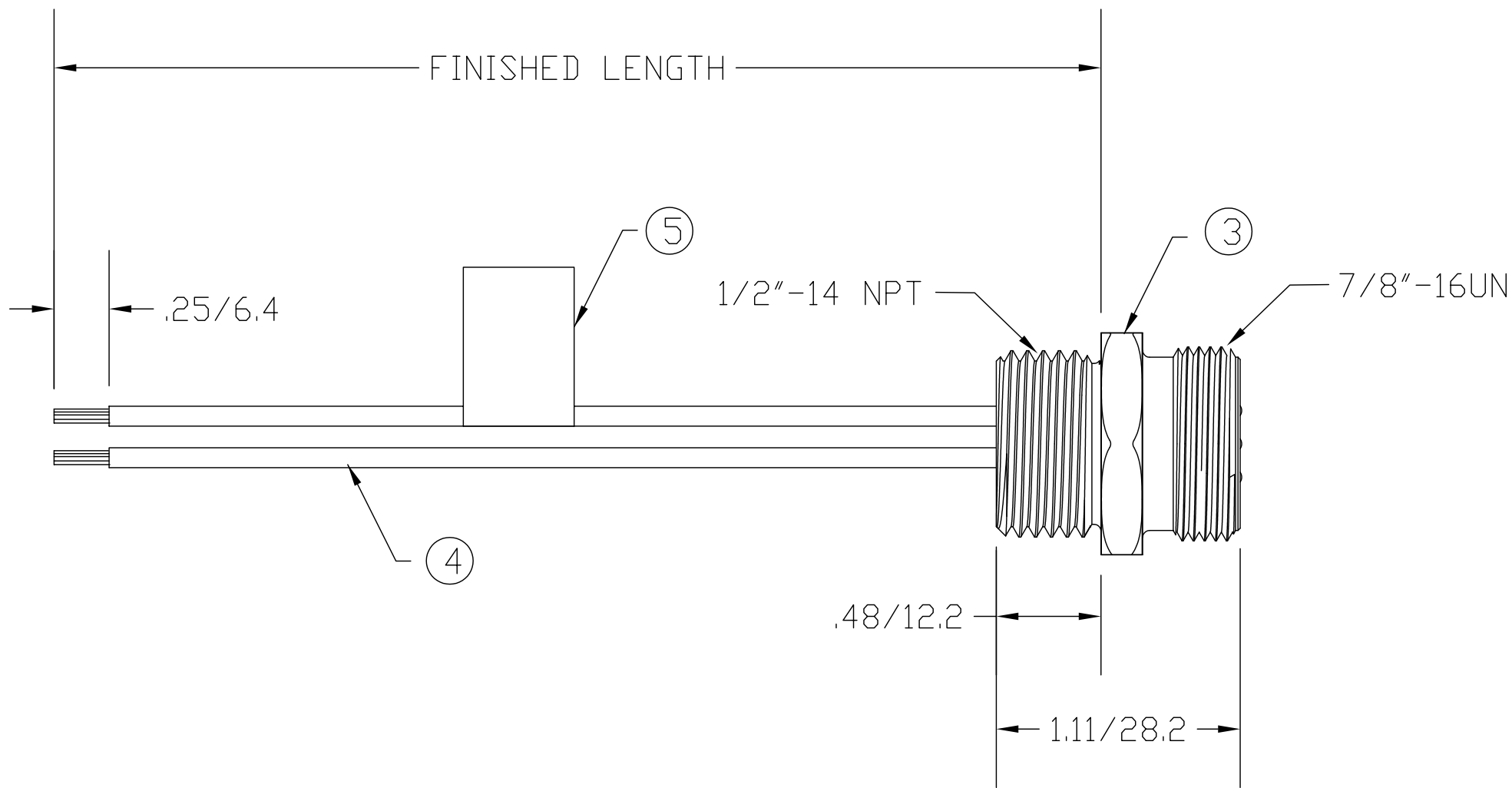
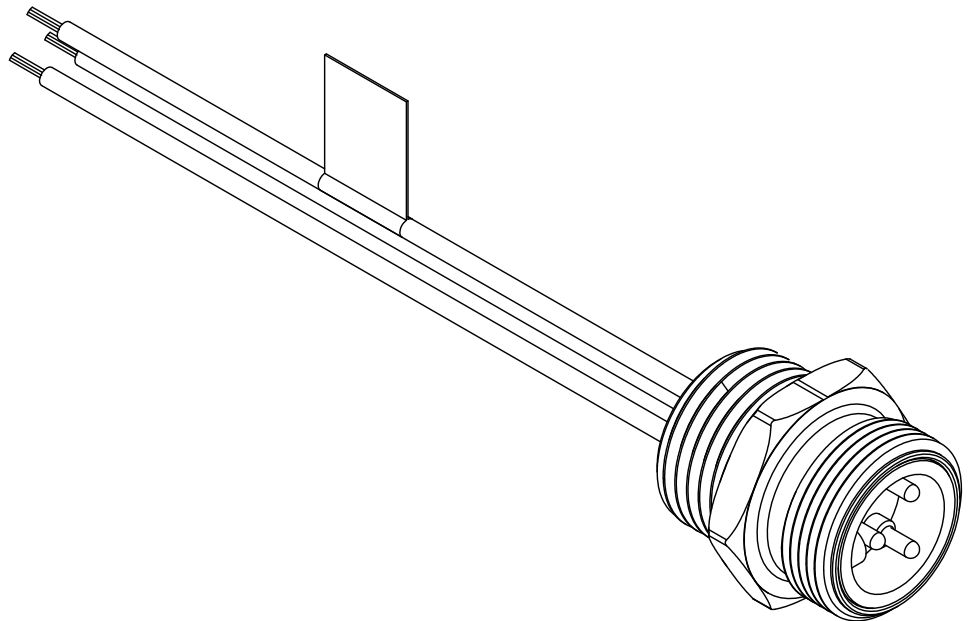
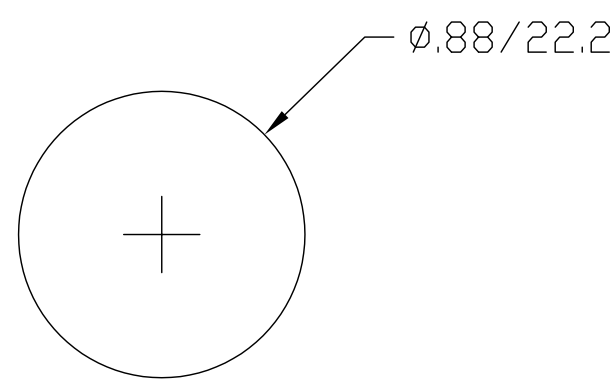


MATERIAL NUMBER	OLD PART NUMBER	FINISHED LENGTH
130013-0229	1R3006A24A120	12.00" +1.75" -0 [1.3M +44.5 -0]
130013-0233	1R3006A24F030	3.00' +2.19" -0 [1.9M +55.6 -0]
130013-0235	1R3006A24F060	6.00' +3.50" -0 [1.8M +88.9 -0]



1	GREEN
2	RED WITH #2
3	RED WITH #3

WIRING DIAGRAM



KNOCKOUT HOLE

VOLTAGE RATING	600 VAC/VDC
AMPERAGE RATING	13 AMPS
PROTECTION	IP67
OPERATING TEMPERATURE	-20°C TO 105°C
UL CERTIFICATIONS	UL LISTED, FILE NO. E258922
CSA CERTIFICATIONS	CSA CERTIFIED, FILE NO. LR6837

ITEM	COMPONENT	MATERIAL	FINISH
1	INSERT	PVC	YELLOW
2	CONTACT PIN	COPPER ALLOY	GOLD OVER NICKEL
3	RECEPTACLE SHELL	ZINC DIE CAST	BLACK E-COATED
4	CONDUCTOR - 16 AWG. 26 x #30 COPPER STRANDING, 600V	PVC	SEE WIRING DIAGRAM
5	FLAG LABEL	PLASTIC FILM	BLACK/YELLOW

RLSO DRAWING EC NO: WNA2010-0425 DRWN: BWOODMAN2010/01/06 CH'KD: TW APPR: JFMURPHY 2010/01/14	QUALITY SYMBOL	GENERAL TOLERANCES (UNLESS SPECIFIED)	DIMENSION STYLE	SCALE	DESIGN UNITS	THIRD ANGLE PROJECTION
	$\nabla=0$ $\sphericalangle=0$	4 PLACES ±--- 3 PLACES ±--- 2 PLACES ±0.13 1 PLACE ±0.25	IN/MM mm INCH ±--- ±--- ±0.13 ±0.10 ±0.25 ±0.20	IN/MM DRAWN BY DATE CHECKED BY DATE APPROVED BY DATE	1:1 INCH	
	DRAFT WHERE APPLICABLE MUST REMAIN WITHIN DIMENSIONS	ANGULAR ±1/2°	TW 2010/01/07 JFMURPHY 2010/01/14	TITLE MOLEX INCORPORATED	SHEET NO. 1 OF 1	
	A	REV	SEE CHART	MATERIAL NO.	DOCUMENT NO.	THIS DRAWING CONTAINS INFORMATION THAT IS PROPRIETARY TO MOLEX INCORPORATED AND SHOULD NOT BE USED WITHOUT WRITTEN PERMISSION