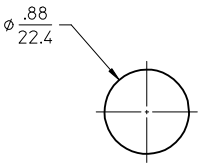
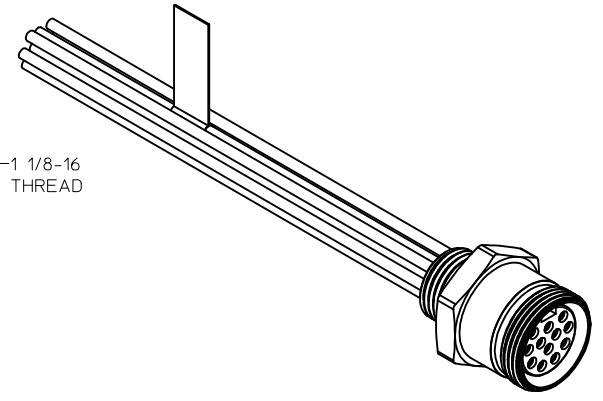
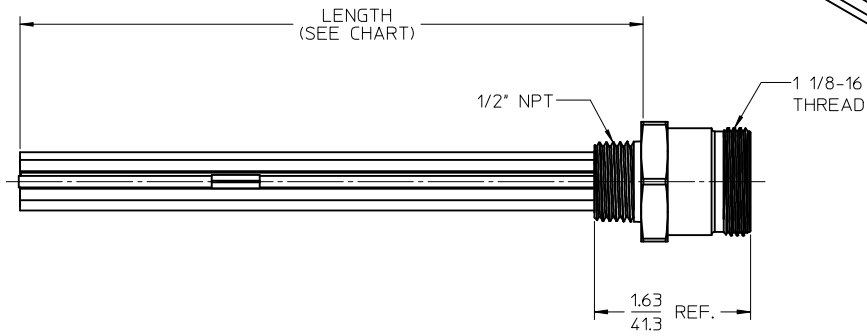


MATERIAL NO.	ENGINEERING NO.	LENGTH
1300150054	3R2004A20A120	12' +.75-0 [305mm +19.0-0]
1300150062	3R2004A20F060	6'0' +2.19-0 [ 1.8M +55.6-0]



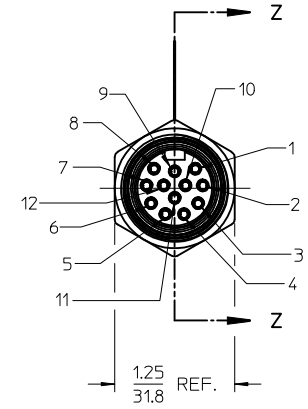
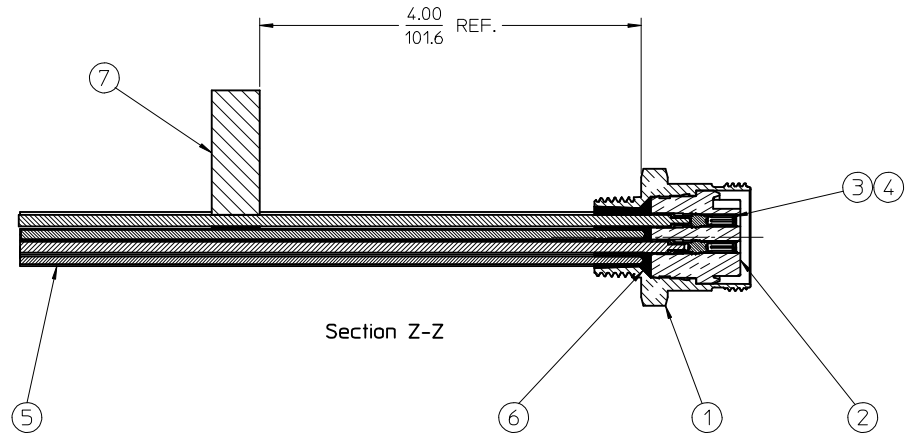
REF. KNOCK-OUT HOLE



- NOTES:
1. MATERIAL: SEE TABLE
  2. FINISHES: SEE TABLE
  3. MATES WITH: NONE
  4. ELECTRICAL SPECIFICATIONS:  
VOLTAGE RATING: 600V AC/DC  
CURRENT RATING: 5 AMPS
  5. RoHS COMPLIANT

1	ORANGE
2	BLUE
3	WHITE-BLACK
4	RED-BLACK
5	GREEN-BLACK
6	ORANGE-BLACK
7	BLUE-BLACK
8	BLACK-WHITE
9	GREEN-YELLOW
10	RED
11	WHITE
12	BLACK

WIRING DIAGRAM



ITEM	QTY.	DESCRIPTION	MATERIAL	FINISH
7	1	LABEL	PLASTIC FILM	BLACK/YELLOW
6	1	POTTING	EPOXY	
5	12	WIRE, 16 AWG (UL 1015)	PVC INSULATED	SEE WIRE DIAGRAM
4	12	SOCKET SLEEVE	ST.STEEL	
3	12	CONTACT SOCKET	BRASS	GOLD PLATED
2	1	INSERT	PVC	YELLOW
1	1	RECEPTACLE SHELL	ZINC ALLOY	BLACK

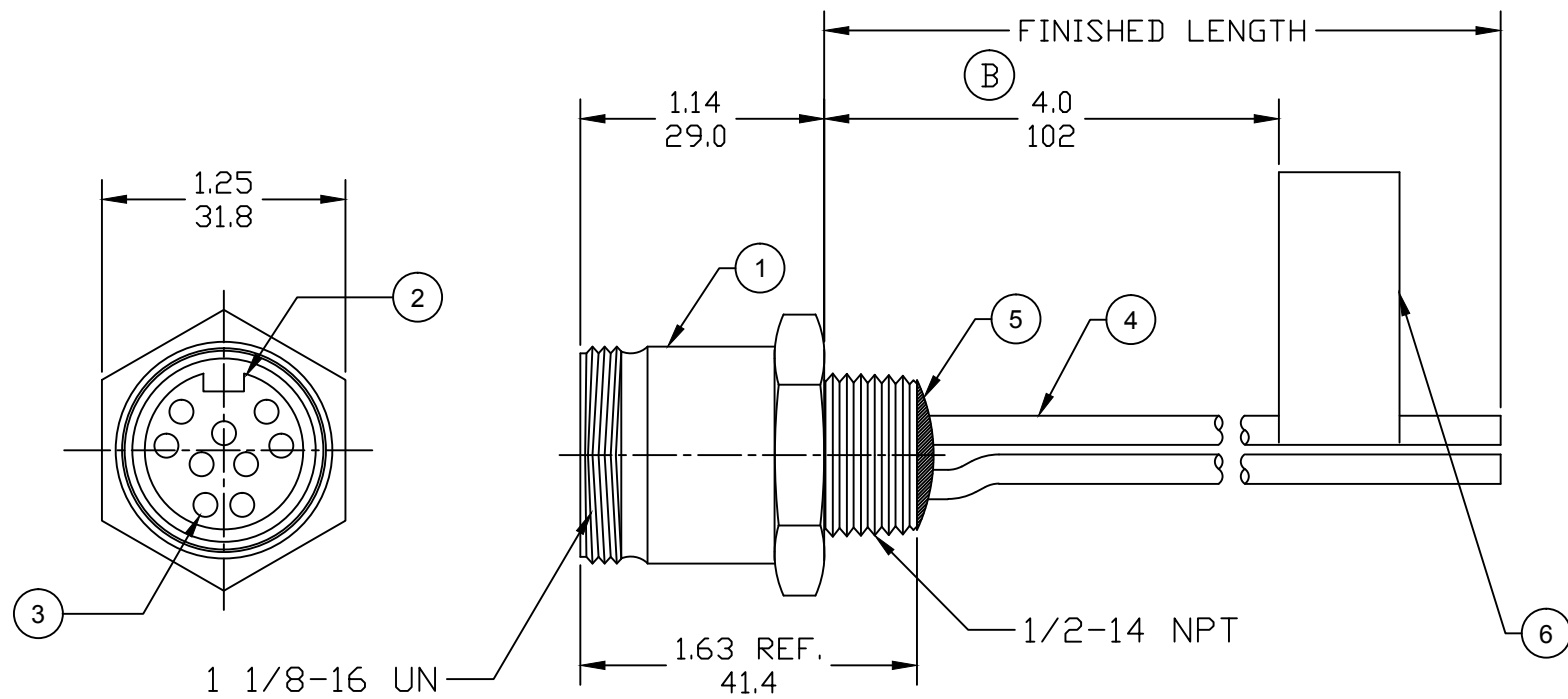
RELEASED	EC NO: MNA2010-0101	DRWR:RSTONE 2009/08/17	CHKD:B.WOODMAN	APPR:J.MURPHY 2009/08/21
REV	DESCRIPTION			
A				

QUALITY SYMBOLS	GENERAL TOLERANCES (UNLESS SPECIFIED)	
	mm	INCH
▽=0	4 PLACES ± .005	± .005
▽=0	3 PLACES ± .005	± .005
	2 PLACES ± .005	± .01
	1 PLACE ± 0.3	± .005
	ANGULAR ± 1/2°	
	DRAFT WHERE APPLICABLE MUST REMAIN WITHIN DIMENSIONS	

DIMENSION STYLE	
IN/MM	
DRAWN BY	DATE
R.STONE	2009/08/17
CHECKED BY	DATE
B.WOODMAN	2009/08/17
APPROVED BY	DATE
J.MURPHY	2009/08/20
MATERIAL NO.	
SEE CHART	
SIZE	
C	

SCALE	DESIGN UNITS	THIRD ANGLE PROJECTION
1:1	INCH	
TITLE		
MC RECEPTACLE, FEMALE 12 POLE, 1/2" NPT		
MOLEX INCORPORATED		DOCUMENT NO.
SD-130015-007		SHEET NO.
		1 OF 1
THIS DRAWING CONTAINS INFORMATION THAT IS PROPRIETARY TO MOLEX INCORPORATED AND SHOULD NOT BE USED WITHOUT WRITTEN PERMISSION		

FACE VIEW-FEMALE INSERT		
1 ORANGE 2 BLUE 3 RED/BLACK 4 GREEN/BLACK 5 WHITE 6 RED 7 GREEN/YELLOW 8 WHITE/BLACK 9 BLACK	1 ORANGE 2 BLUE 3 WHITE/BLACK 4 RED/BLACK 5 GREEN/BLACK 6 ORANGE/BLACK 7 RED 8 GREEN/YELLOW 9 BLACK 10 WHITE	1 ORANGE 2 BLUE 3 WHITE/BLACK 4 RED/BLACK 5 GREEN/BLACK 6 ORANGE/BLACK 7 BLUE/BLACK 8 BLACK/WHITE 9 GREEN/YELLOW 10 RED 11 WHITE 12 BLACK



- NOTES:**
- MATERIAL:** AS NOTED
  - FINISH:** AS NOTED
  - ELECTRICAL:**  
 VOLTAGE: 250V PER IEC60664  
 600V PER UL2238  
 CURRENT: 9 POLE: 7A  
 10 POLE: 7A  
 12 POLE: 5A
  - TEMP RATING:** -20°TO +105°C
  - PROTECTION:** IP67 (WHEN MATED)
  - DIMS ARE FOR REFERENCE UNLESS OTHERWISE NOTED**

**PART NUMBER LEGEND**

3R1004A20F0101

POLES: 9= 9 POLES, 1=10 POLES, 2=12 POLES

COUPLING: BLANK= STD (SEE BOM), 1= 303 STAINLESS ST.

LENGTH: A120= 12 INCHES, F001= .1 FT, F020= 2 FT, F200= 20 FT

M005= 0.5 METER, M010= 1 METER, M100= 10 METER

ITEM	DESCRIPTION	MATERIAL	FINISH
6	FLAG LABEL	VINYL	BLACK/YELLOW
5	POTTING MATERIAL	EPOXY	
4	WIRE, 16 AWG UL (1015)	PVC INSULATION	SEE CHART
3	CONTACT SOCKET	COPPER ALLOY	GOLD PLATED
2	FEMALE INSERT (C-SIZE)	PVC	YELLOW
1	RECEPTACLE SHELL	ZINC DIE-CAST	BLACK

REVD NOTES 3 & 6, PIN LEGEND EC NO: IPG2017-0578 DRWN: RSTONE 12/8/16 CHKD: K COX 2016/12/15 APPR: BWOODMAN 2016/08/19	QUALITY SYMBOLS ▽=0 ▽=0	GENERAL TOLERANCES (UNLESS SPECIFIED) 4 PLACES ±--- ±--- 3 PLACES ±--- ±--- 2 PLACES ±--- ±--- 1 PLACE ±--- ±--- ANGULAR ±2°	DIMENSION STYLE IN/MM	SCALE --- DESIGN UNITS INCH	THIRD ANGLE PROJECTION
		DRAFT WHERE APPLICABLE MUST REMAIN WITHIN DIMENSIONS	DRAWN BY DATE RSTONE 2016/07/11	TITLE <b>MINI-CHANGE RECEPTACLE 9, 10 &amp; 12 POLE, FEMALE 16 AWG</b>	
			CHECKED BY DATE K COX 2016/12/15	<b>MOLEX INCORPORATED</b>	
			APPROVED BY DATE TWOLDEGE 2016/08/19	MATERIAL NO. - DOCUMENT NO. SD-130015-026 SHEET NO. 1 OF 1	

THIS DRAWING CONTAINS INFORMATION THAT IS PROPRIETARY TO MOLEX INCORPORATED AND SHOULD NOT BE USED WITHOUT WRITTEN PERMISSION