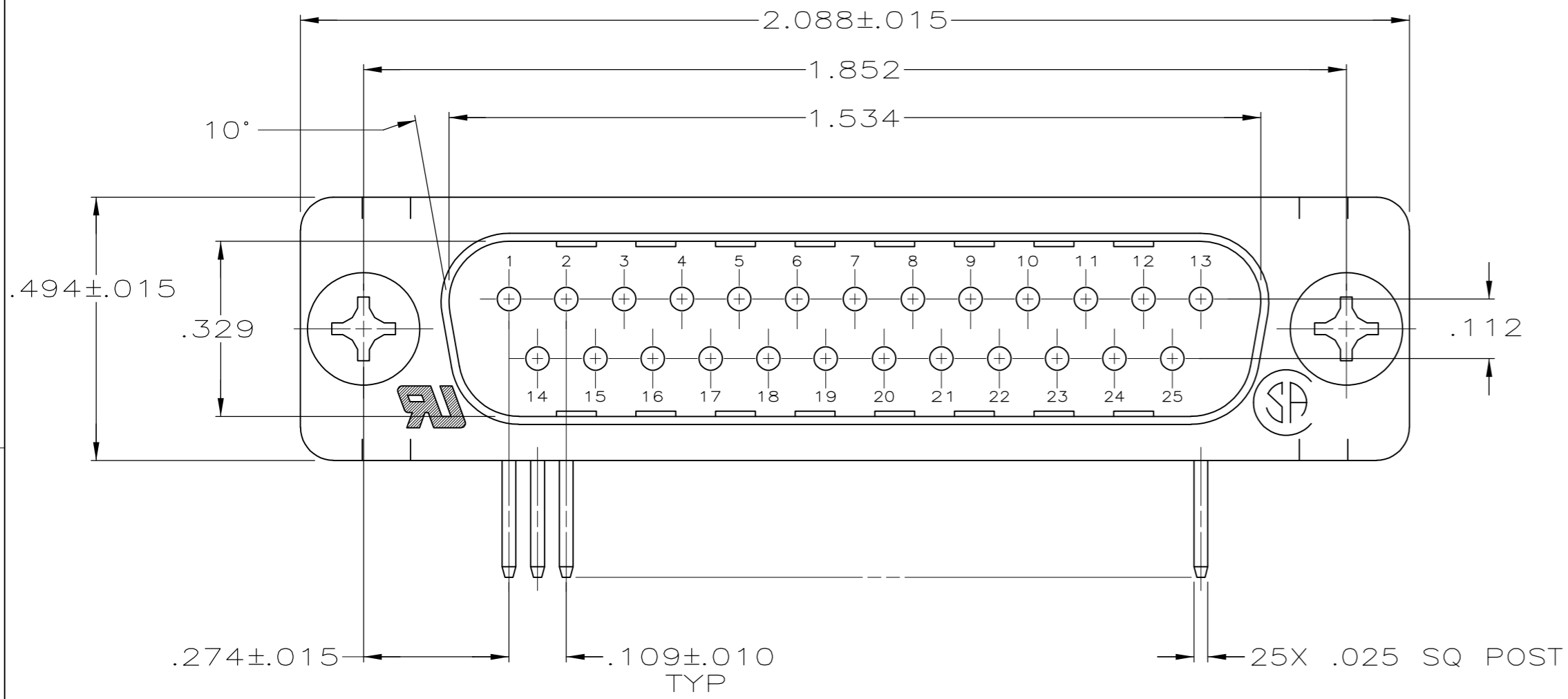
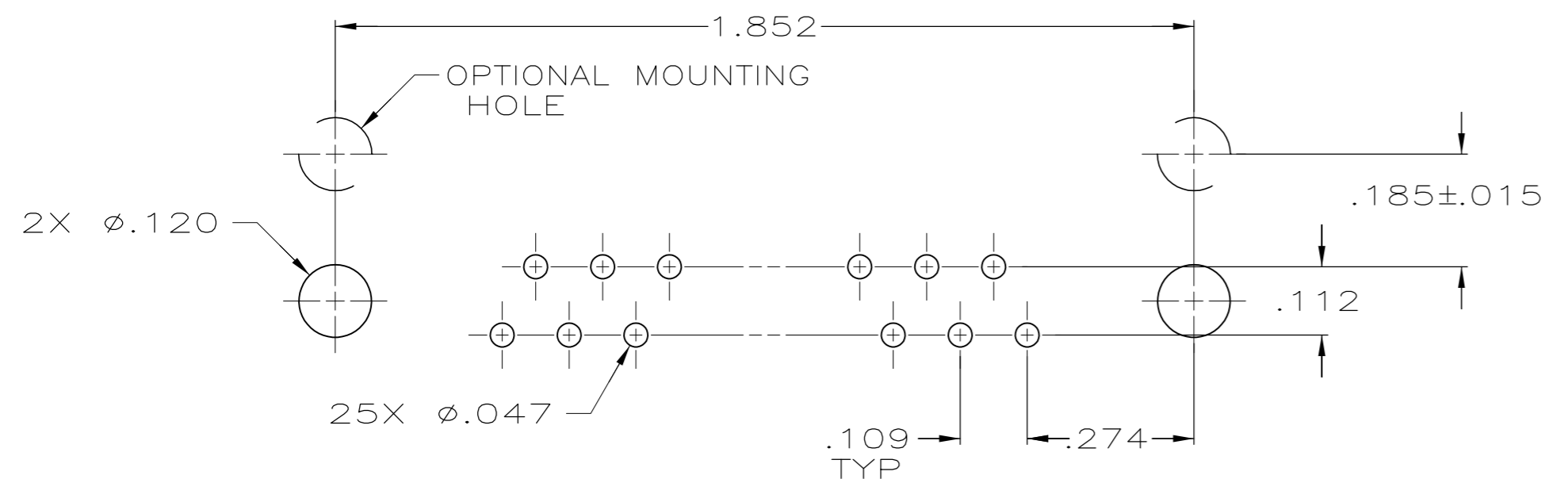
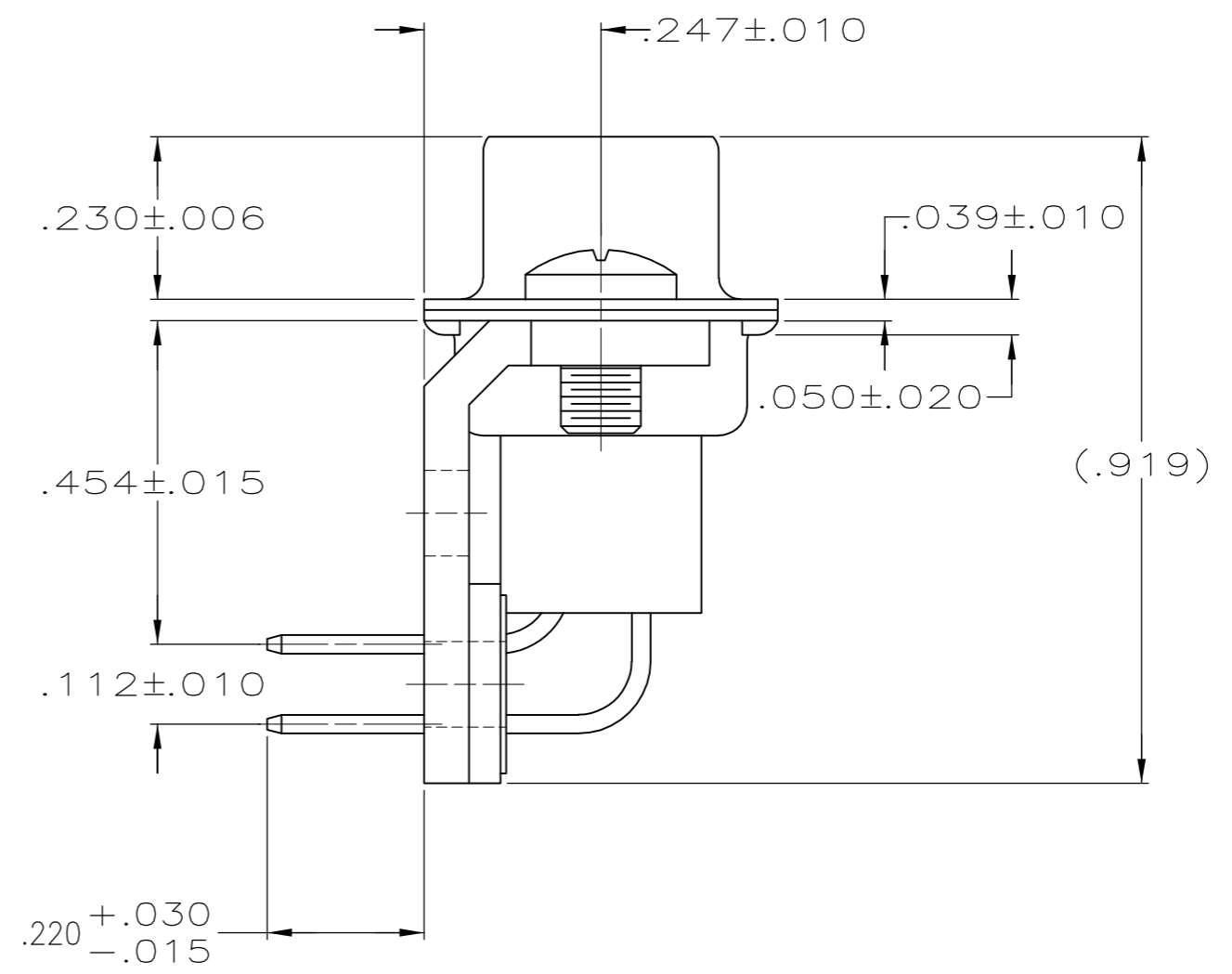
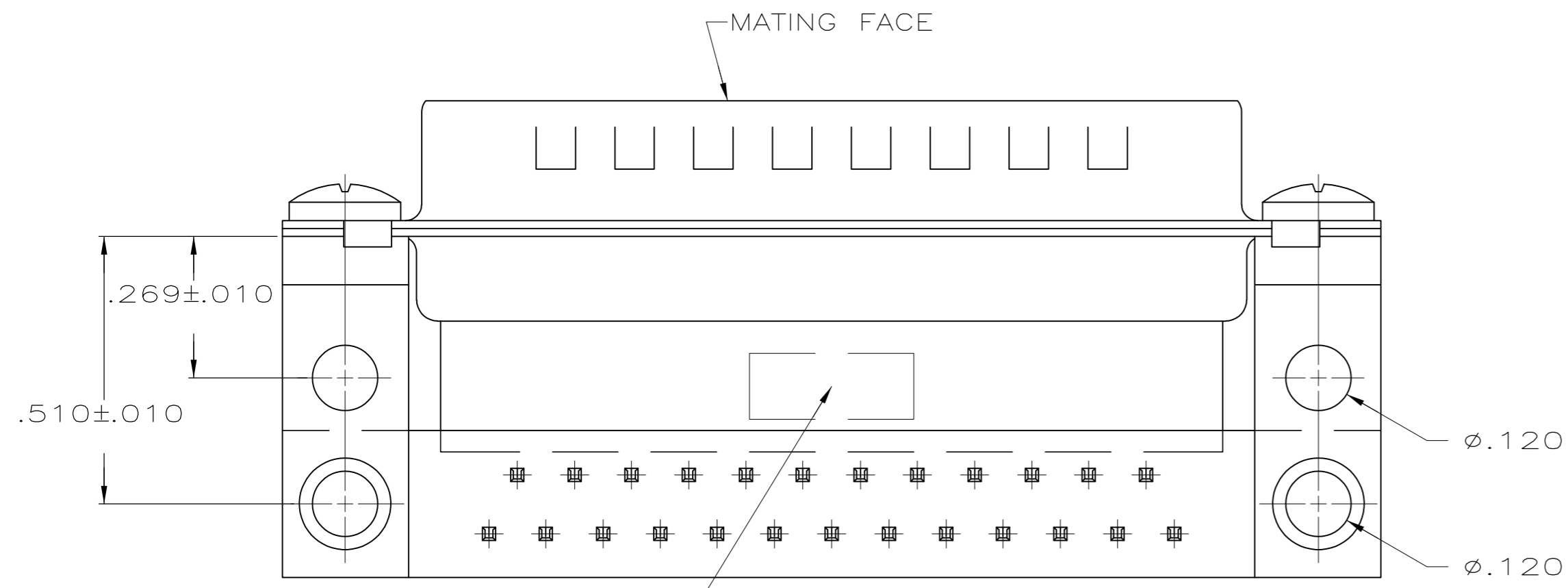


THIS DRAWING IS UNPUBLISHED. RELEASED FOR PUBLICATION
 © COPYRIGHT 2005 By - ALL RIGHTS RESERVED.

LOC		DIST		REVISIONS			
P	LTR	DESCRIPTION	DATE	DWN	APVD		
GP	00						
	A	REVISED PER ECO-14-011808	11AUG2014	AP	SB		



- 1 MOLDED PARTS: GLASS-FILLED PBT OR GLASS-FILLED NYLON, UL94V-0 RATED. COLOR: BLACK.
SHELLS & BRACKETS: CARBON STEEL.
CONTACTS: BRASS
- 2 SHELLS: .000200 MIN TIN OVER .000100 MIN COPPER.
BRACKETS: .000200 MIN TIN OVER .000050 MIN COPPER.
CONTACTS: GOLD PLATED FOR LENGTH OF .150 MIN FROM MATING END, GOLD FLASH IN MATED AREA, .000100 MIN TIN ON OPPOSITE END, BOTH OVER .000050 MIN NICKEL.



P.C. BOARD MOUNTING DIMENSIONS

5745436-3
 PART NUMBER

THIS DRAWING IS A CONTROLLED DOCUMENT.		DWN D. HENNY 8-29-05			NAME			
DIMENSIONS: INCHES		CHK S. BOLASH 8-29-05			PLUG ASSEMBLY, SIZE 3, 25 POSITION, RIGHT ANGLE, .454 SERIES, .025 SQ. POSTS, AMPLIMITE HDP			
TOLERANCES UNLESS OTHERWISE SPECIFIED:		APVD M. WALMSLEY 8-29-05	PRODUCT SPEC		SIZE	CAGE CODE	DRAWING NO	RESTRICTED TO
0 PLC ± -		APPLICATION SPEC		108-40025	A2	00779	C=5745436	-
1 PLC ± -		MATERIAL		114-40013	SCALE		SHEET	REV
2 PLC ± -		FINISH			4:1		1 of 1	A
3 PLC ± .005		MATERIAL			CUSTOMER DRAWING			
4 PLC ± -		FINISH						
ANGLES ± 2°								