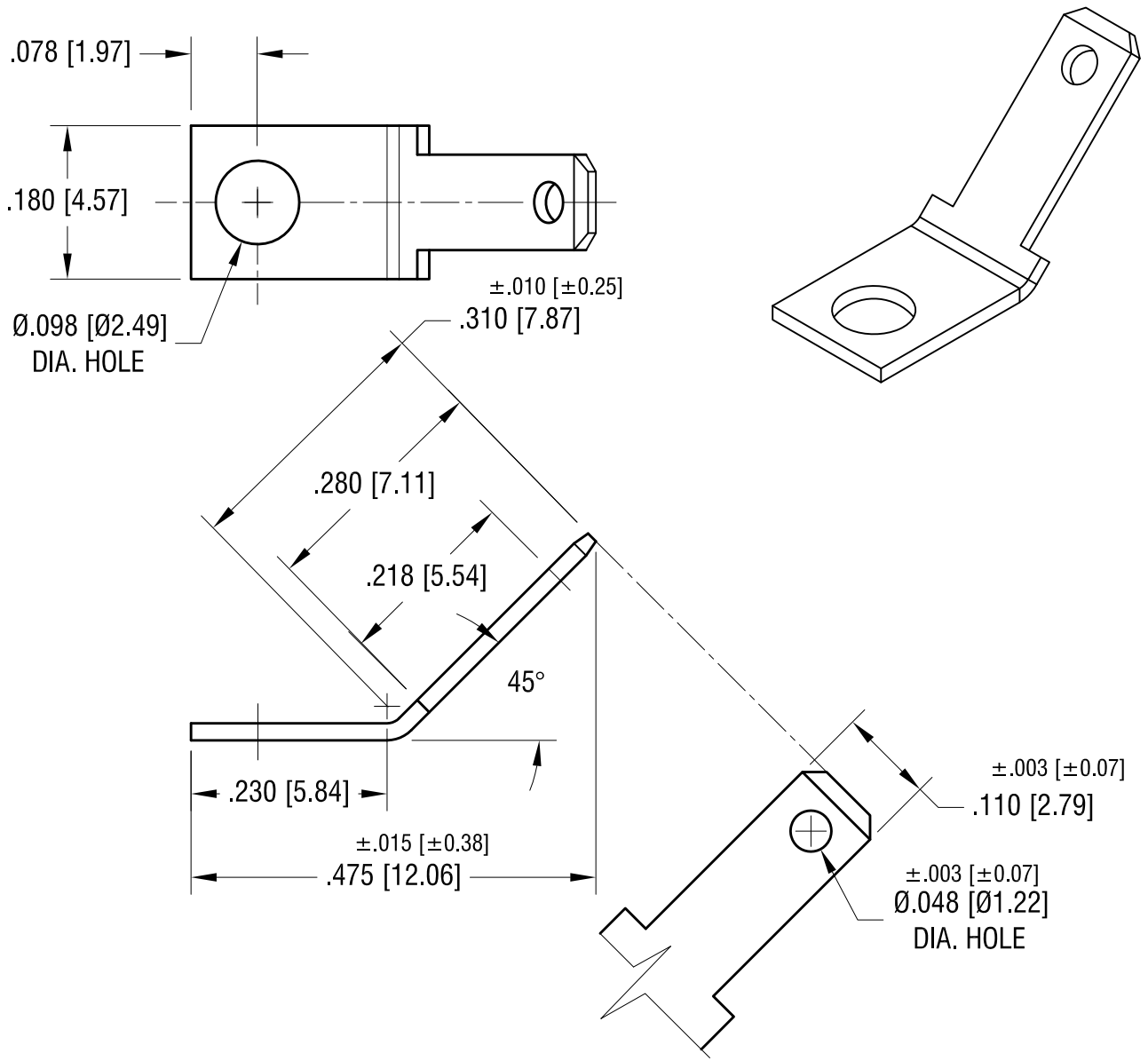


THIS DOCUMENT IS THE PROPERTY OF  
KEYSTONE ELECTRONICS CORP. AND  
SHALL NOT BE REPRODUCED, DISTRIBUTED  
OR USED AS A BASIS FOR MANUFACTURE  
WITHOUT PRIOR WRITTEN PERMISSION  
FROM KEYSTONE ELECTRONICS CORP.



**KEYSTONE ELECTRONICS CORP.**

www.keyelco.com • ASTORIA, N.Y. 11105-2017 • Tel (718) 956-8900

|                            |        |                         |         |
|----------------------------|--------|-------------------------|---------|
| PART NAME                  |        | .110 QUICK-FIT TERMINAL |         |
| MATERIAL                   |        | .020 [0.50] TH'K BRASS  |         |
| FINISH                     | DRN BY | DATE                    |         |
| MATTE TIN PLATE            | NT     | 7.02.10                 |         |
|                            | APP'D  | SCALE                   |         |
|                            | LN     | 5X                      |         |
| TOLERANCES                 | INCH   | [MM]                    | CODE    |
| DECIMAL                    | ± .005 | [± 0.13]                | C       |
| ANGULAR                    | ± 1°   |                         |         |
| UNLESS OTHERWISE SPECIFIED |        |                         | DWG NO. |
|                            |        |                         | 1233    |

|      |             |      |
|------|-------------|------|
| DATE | DESCRIPTION | REV. |
|      |             |      |