

4

3

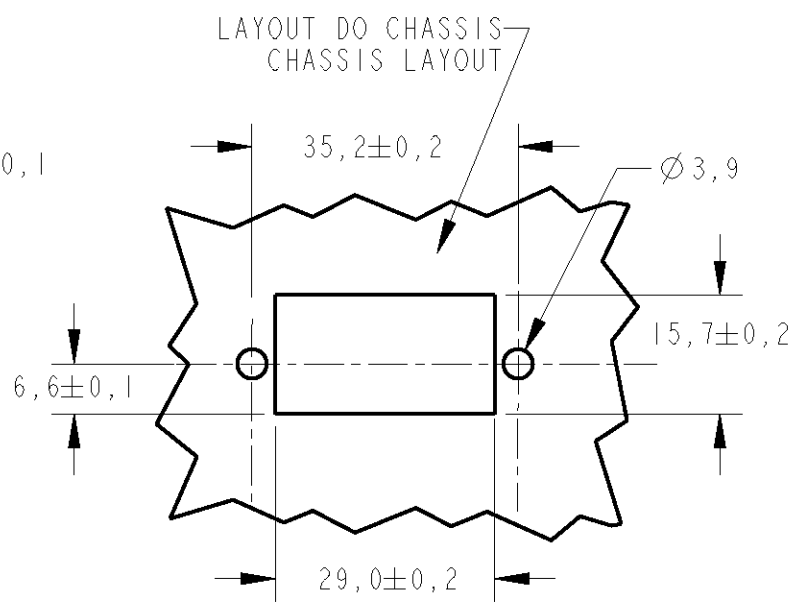
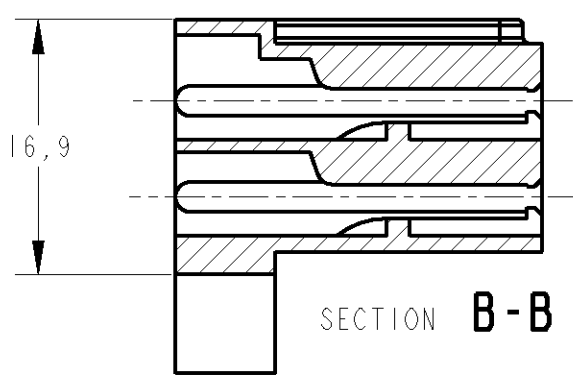
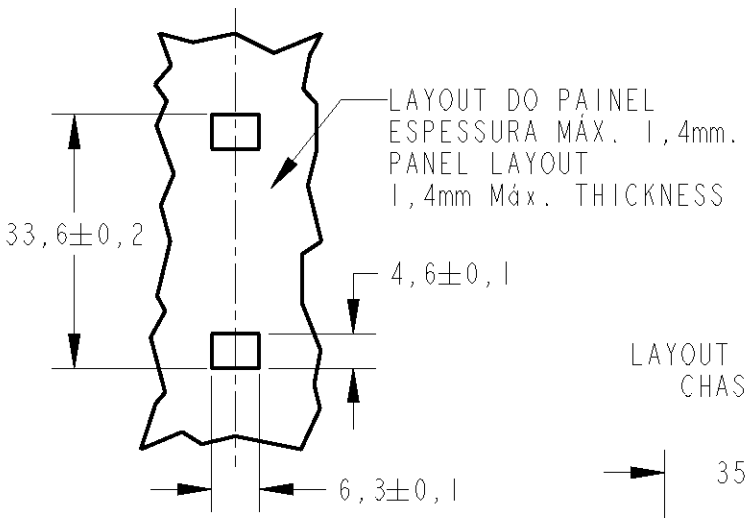
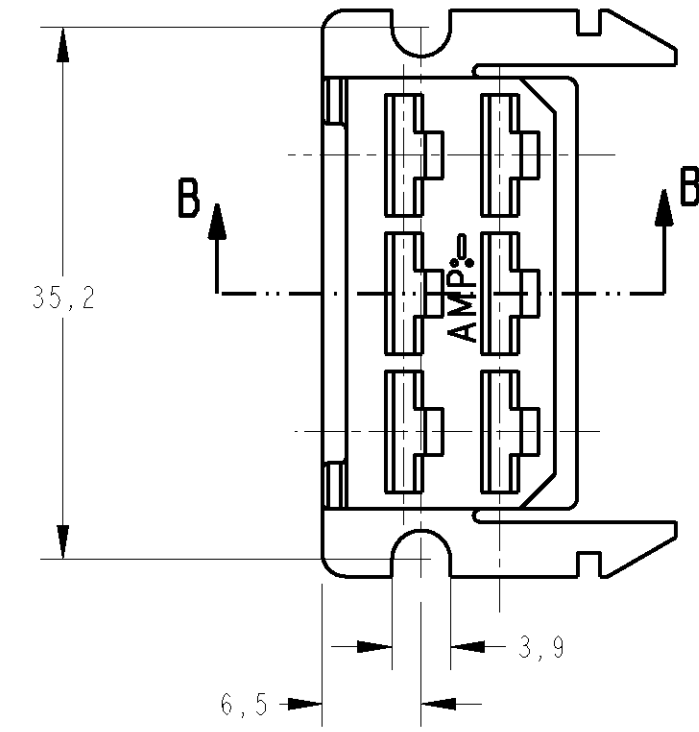
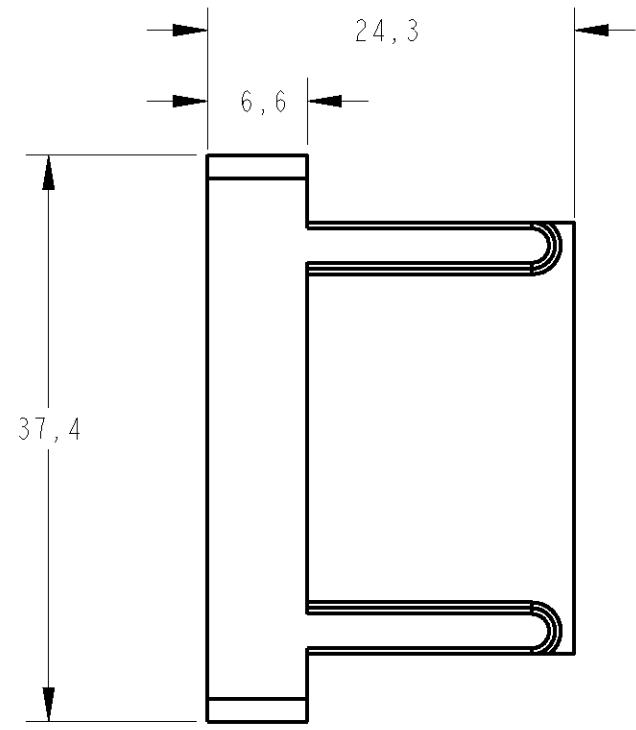
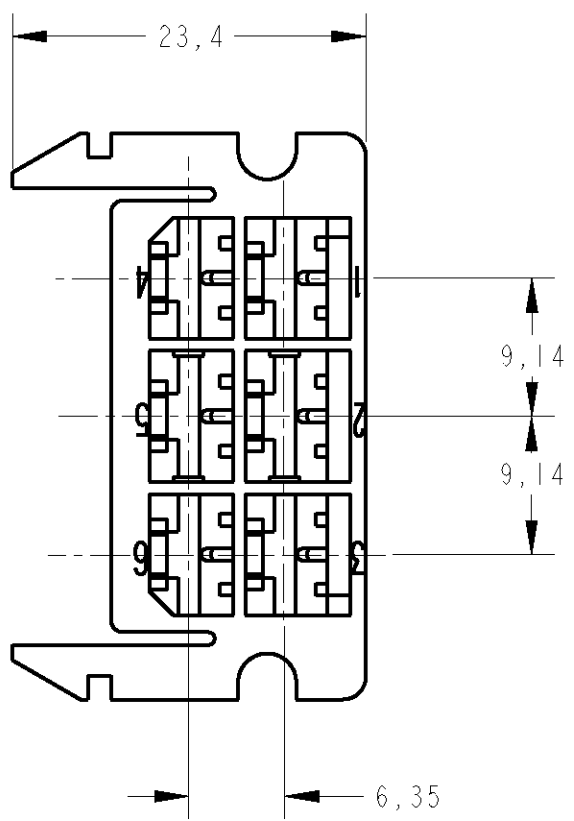
2

1

THIS DRAWING IS UNPUBLISHED. RELEASED FOR PUBLICATION

© COPYRIGHT 19 BY TYCO ELECTRONICS CORPORATION. ALL RIGHTS RESERVED.

LOC	DIST	REVISIONS			
P	LTR	DESCRIPTION	DATE	DWN	APVD
AP	-				
	F	REDRAW BY ECO-06-026171	31 JAN 07	H.C	WLS
	-				
	-				
	-				



△ -MATERIA-PRIMA CONFORME IEC 60335-1 GWT 750°C SEM CHAMA.
RAW MATERIAL ACC. TO IEC 60335-1 GWT 750°C WITHOUT FLAME.

	NATURAL	PA 6.6 △	1-163006-0
OBSOLETE	LARANJA/ORANGE	PA 6.6	163006-0
OBSOLETE	VIOLETA/VIOLET	PA 6.6	163006-8
OBSOLETE	CINZA/GREY	PA 6.6	163006-7
OBSOLETE	MARROM/BROWN	PA 6.6	163006-6
OBSOLETE	PRETO/BLACK	PA 6.6	163006-5
OBSOLETE	AMARELO/YELLOW	PA 6.6	163006-4
OBSOLETE	AZUL/BLUE	PA 6.6	163006-3
OBSOLETE	VERDE/GREEN	PA 6.6	163006-2
	VERMELHO/RED	PA 6.6	163006-1
	NATURAL	PA 6.6	163006-0
	FINISH	MATERIAL	PART NUMBER

THIS DRAWING IS A CONTROLLED DOCUMENT FOR TYCO ELECTRONICS CORPORATION IT IS SUBJECT TO CHANGE AND THE CONTROLLING ENGINEERING ORGANIZATION SHOULD BE CONTACTED FOR THE LATEST REVISION.		DWN H.C. CANTERI 60CT2006	tyco Electronics Tyco Electronics do Brasil - LTDA São Paulo - Brasil	
DIMENSIONS: mm		CHK W.L. STEFANI 60CT2006	NAME 6 WAY FAST-IN-ON REC. HSG.	
TOLERANCES UNLESS OTHERWISE SPECIFIED: 0 PLC ± - 1 PLC ± 0,3 2 PLC ± 0,3 3 PLC ± - 4 PLC ± - ANGLES ± -		APVD -	PRODUCT SPEC -	
MATERIAL -		FINISH -	APPLICATION SPEC -	RESTRICTED TO -
CUSTOMER DRAWING		WEIGHT -	SIZE A3	CAGE CODE -
			DRAWING NO C= 163006	REV F
			SCALE 1/1	SHEET 1