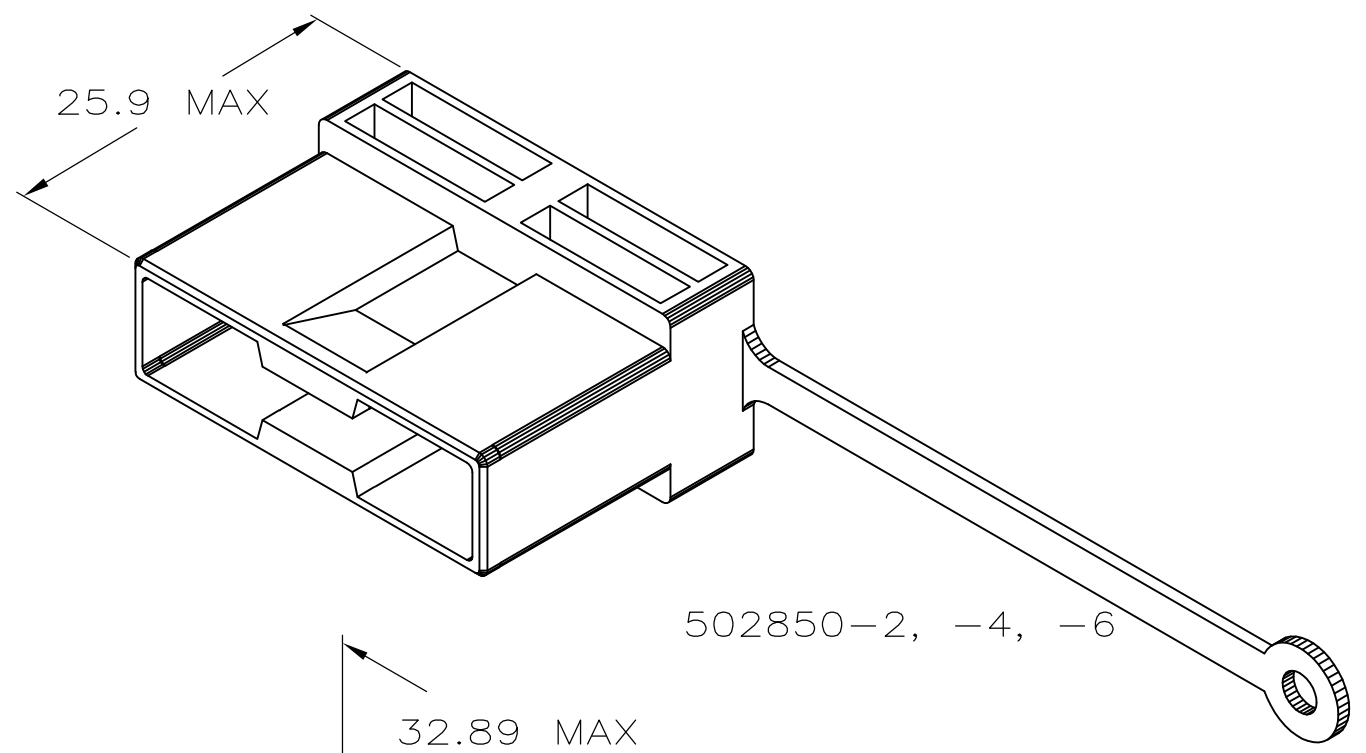
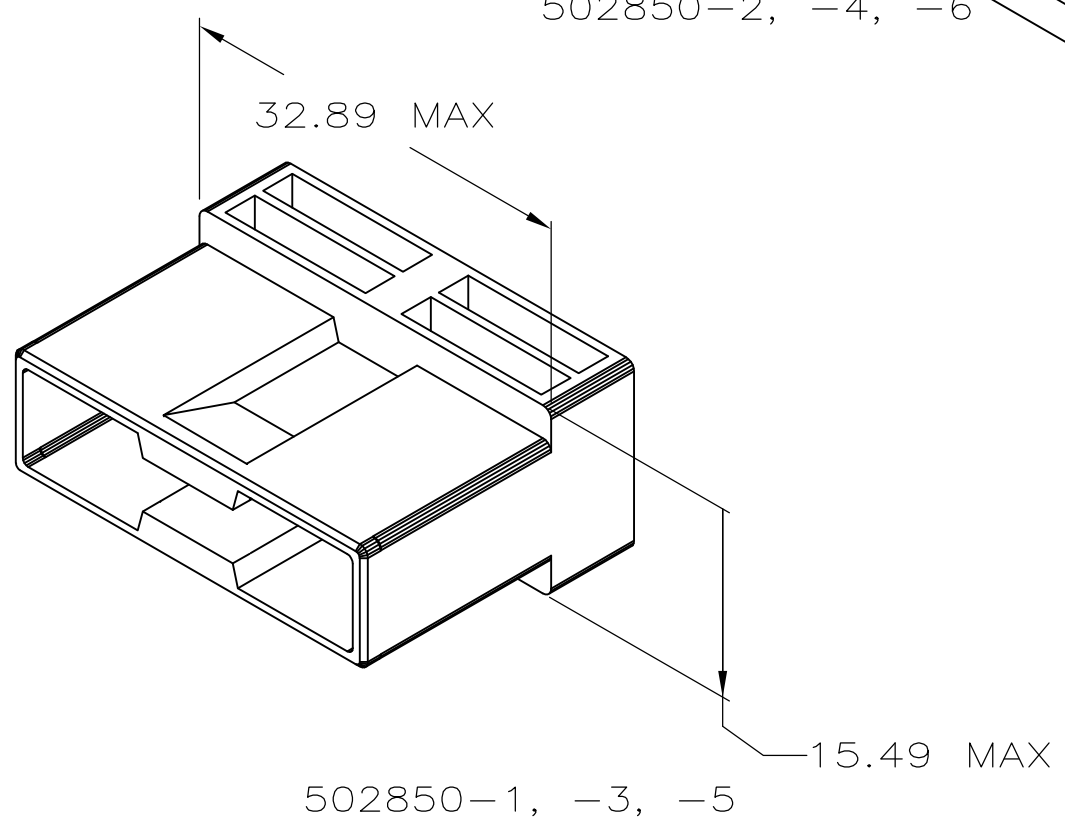


THIS DRAWING IS UNPUBLISHED. RELEASED FOR PUBLICATION  
 © COPYRIGHT - By - ALL RIGHTS RESERVED.

LOC	DIST	REVISIONS			
P	LTR	DESCRIPTION	DATE	DWN	APVD
CE	00	D	ECO-12-015760	04SEP2012	JM TE



- 1. MATL: TPE: UL94 V-0 RATED AT QUALIFYING THICKNESS, SEE DASH NUMBER FOR COLOR.
- 2. FITS STANDARD MIC RECEPTACLE, ALL KEYING TYPES.



OBSOLETE	PEARL	WITH MOUNTING STRAP	502850-6
OBSOLETE	WHITE	W/O MOUNTING STRAP	502850-5
OBSOLETE	BLACK	WITH MOUNTING STRAP	502850-4
OBSOLETE		W/O MOUNTING STRAP	502850-3
OBSOLETE	BEIGE	WITH MOUNTING STRAP	502850-2
OBSOLETE		W/O MOUNTING STRAP	502850-1
	COLOR	DESCRIPTION	PART NUMBER

THIS DRAWING IS A CONTROLLED DOCUMENT.		DWN	6-26-96		<b>STE</b> TE Connectivity
		CHK	7-9-96		
		APVD	7-9-96		
		PRODUCT SPEC	7-9-96		
		APPLICATION SPEC			DUST COVER, FIELD KEY RECEPTACLE
		WEIGHT	-		RESTRICTED TO
		CUSTOMER DRAWING		SCALE	2:1
		SIZE	CAGE CODE	DRAWING NO	SHEET
		A3	00779	C-502850	1 OF 1
				REV	D

DIMENSIONS:	TOLERANCES UNLESS OTHERWISE SPECIFIED:
INCHES	
0 PLC	± -
1 PLC	± -
2 PLC	± -
3 PLC	± -
4 PLC	± -
ANGLES	± -
MATERIAL	FINISH
-	-