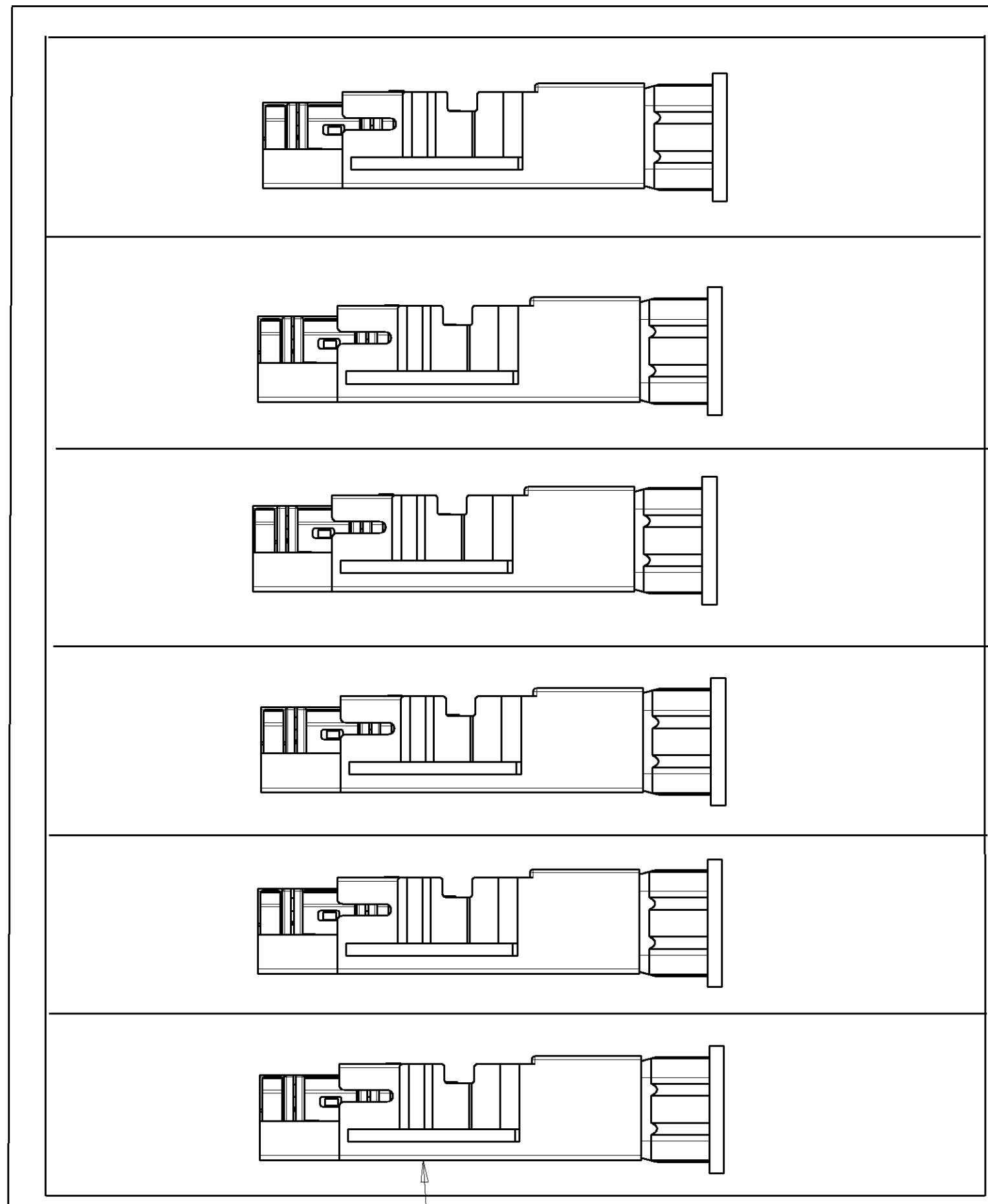
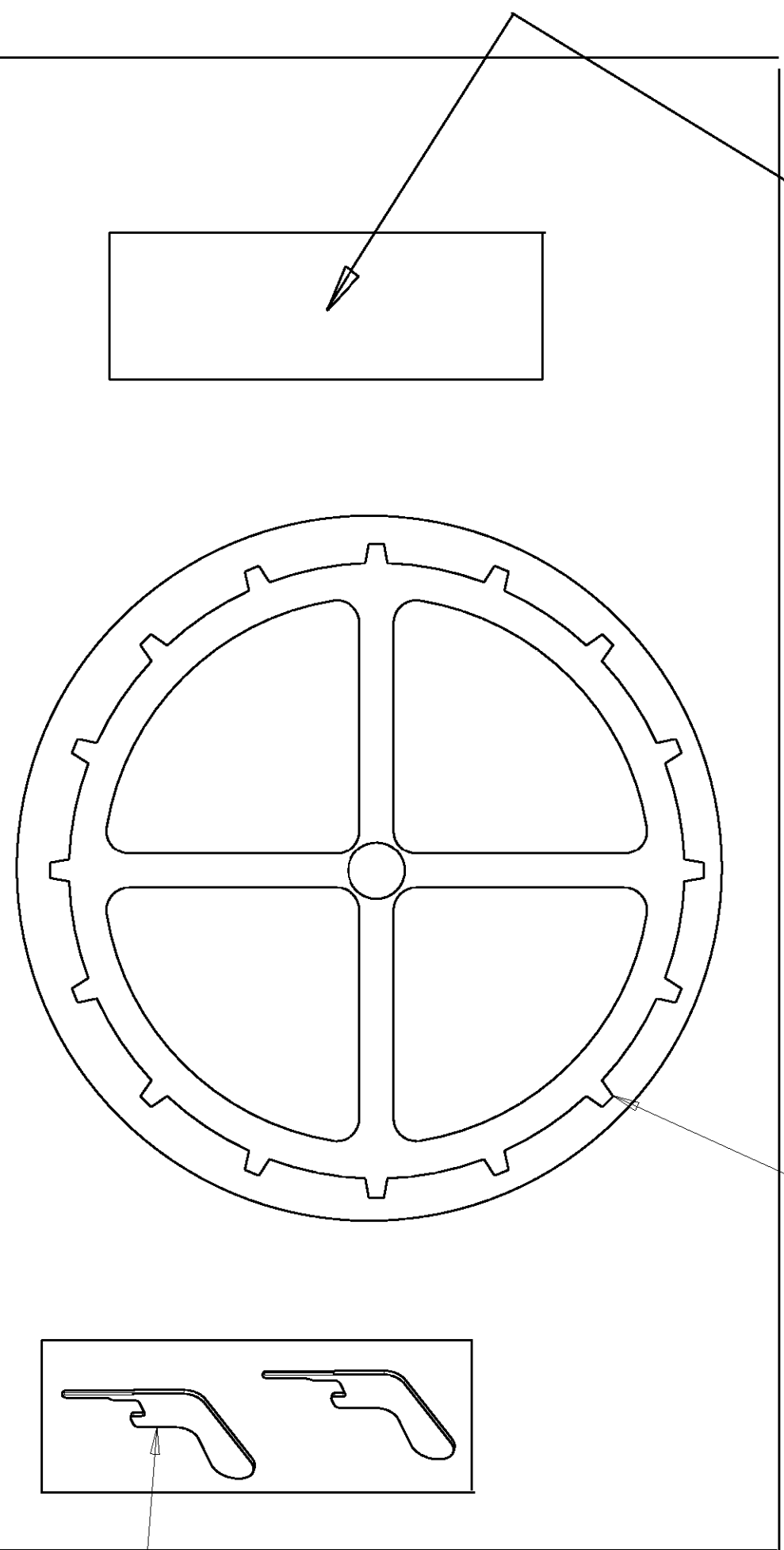


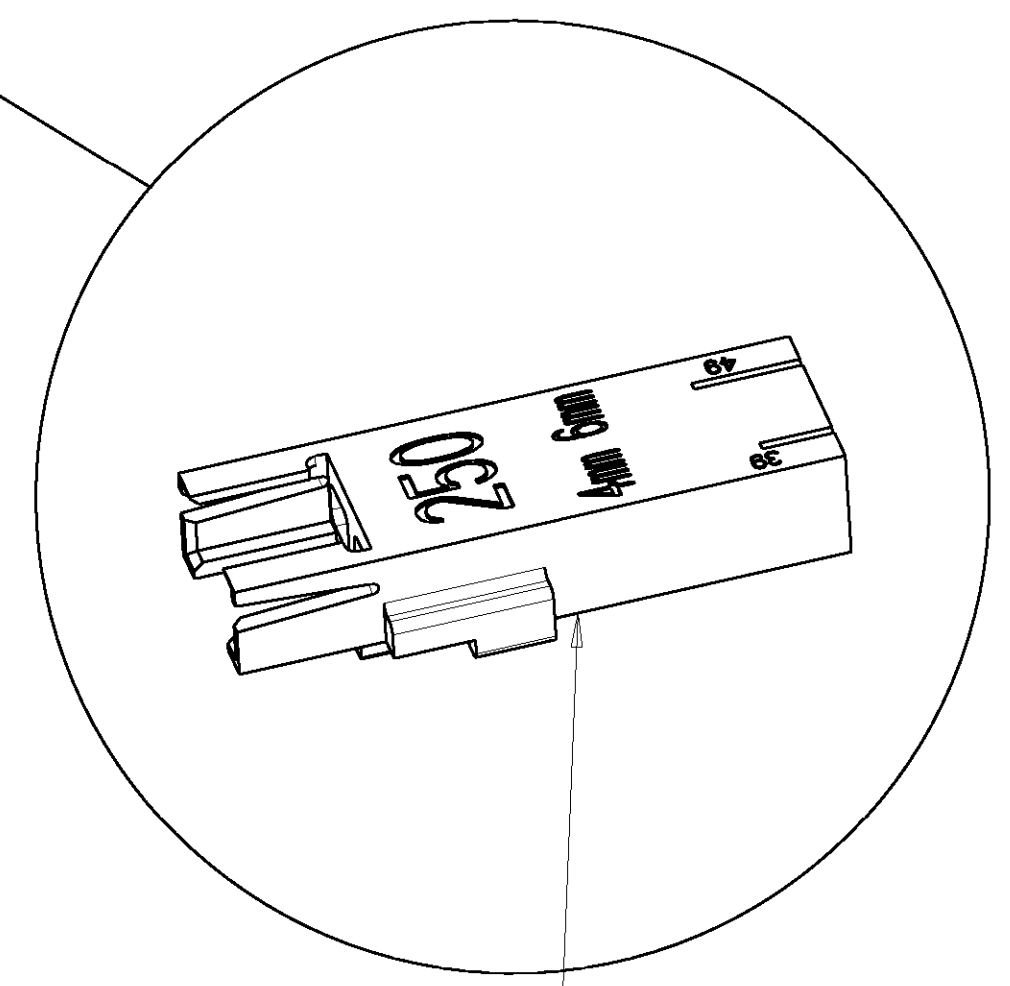
LOC	DIST	REVISIONS					
		P	LTR	DESCRIPTION	DATE	DWN	APVD
CE	00		A	REV PER ECR-06-003731	16FEB2006	BB	DK



MT-RJ SECURE 250um JACK  
MODULE ASSEMBLY



MT-RJ ACTUATION KEY



250um FIBER GUIDE

ICON WHEEL

SLATE (K10)	1-6278807-0
ORANGE (K9)	6278807-9
VIOLET (K8)	6278807-8
BROWN (K7)	6278807-7
AQUA (K6)	6278807-6
ROSE (K5)	6278807-5
BLUE (K4)	6278807-4
GREEN (K3)	6278807-3
YELLOW (K2)	6278807-2
RED (K1)	6278807-1
DESCRIPTION	PART NUMBER

<small>THIS DRAWING IS A CONTROLLED DOCUMENT FOR AMP INCORPORATED. IT IS SUBJECT TO CHANGE AND THE CONTROLLING ENGINEERING ORGANIZATION SHOULD BE CONTACTED FOR THE LATEST REVISION.</small>		DWN B. BRIGGS 31OCT2005 CHK D. KIRSCH 31OCT2005 APVD S. BUCHTER 07NOV2005	<b>AMP</b> AMP Incorporated Harrisburg, PA 17105-3608
DIMENSIONS: mm 	TOLERANCES UNLESS OTHERWISE SPECIFIED: 0 PLC ± 1 PLC ± 2 PLC ± 3 PLC ± 4 PLC ± ANGLES ± FINISH -	PRODUCT SPEC - APPLICATION SPEC - WEIGHT -	NAME MT-RJ SECURE 250um JACK KIT, 6-PACK, 50/125 SIZE A2 CAGE CODE 00779 DRAWING NO. 6278807
MATERIAL -		CUSTOMER DRAWING	SCALE NTS SHEET 1 OF 1 REV A