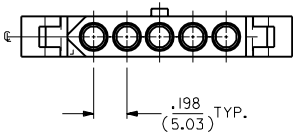
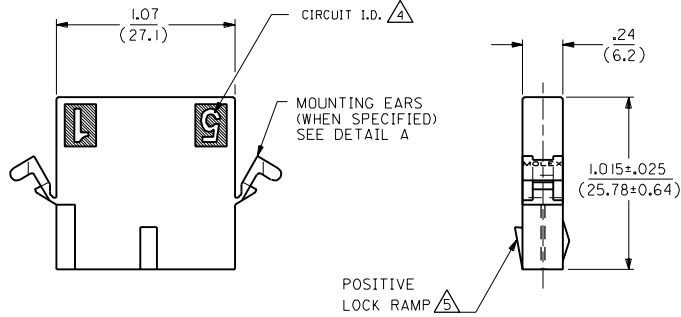
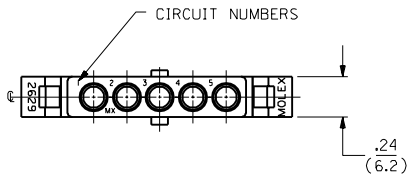
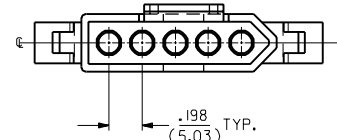
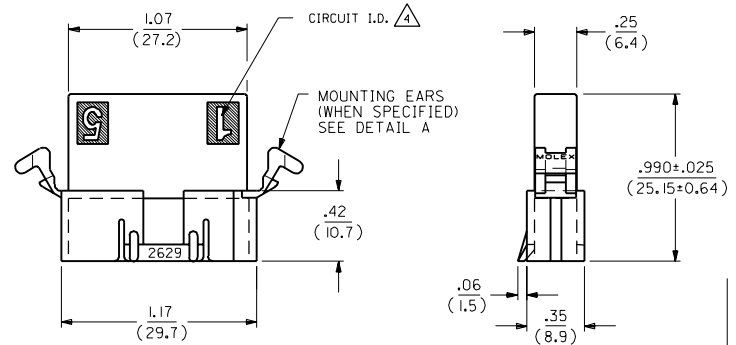
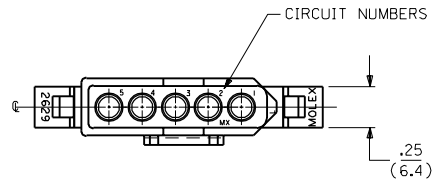


RECEPTACLE



VIEW OF RECEPTACLE VERSION WITH PASSIVE LOCK RAMPS

PLUG



J	REVISED PER ECN # U61508 05/31/96 CM
I	X-REMOVE -R2 ECN # U6 1080 3-6-96 RW
K	ADD PASSIVE LOCKS ECN # U5 0529 11-30-94 RW
J	ADD -P2 W/EDP # ECR U3 0450 GC 4/1/93 RW
I	X-REMOVE ECR U2 1105 GC 1/29/92 RW
HI	ADD -C MAT'L. PER ECR U2 0741 GC 5/7/92 RW
H	REVISE PER ECR U1 2237 GC 1/9/92 RW
G	REVISED & REDRAWN ECR # UB1801 KBW 02-03-89 RW

DIMENSIONS SHOWN METRIC (INCH UNLESS OTHERWISE SPECIFIED TOLERANCES: ANGULAR ± DED)		▽ = 0 ▼ = 0		REVISE ONLY ON CAD SYSTEM	
TITLE .093/(2.36) HOUSINGS PLUG & RECEPTACLE 5 CIRCUIT ±.198/(5.03)C		SHEET NO. 2 OF 2		DATE 2/3/89	
PART NO. SEE CHART		DRWG. NO. SD-2629-*		MFG. SH. REV. LTR. REVISIONS	
DRAWN BY KBW		CHKD. BY RW		FILE NAME S26295X1.DWG	
APP'D. BY RAS		SCALE 2:		THIS DRAWING CONTAINS INFORMATION THAT IS PROPRIETARY TO MOLEX INC. AND SHOULD NOT BE USED WITHOUT WRITTEN PERMISSION.	

PLUG		RECEPTACLE	
ORDER NO	ENG NO	ORDER NO	ENG NO
03-09-2057	2629-P1	03-09-1057	2629-R1
PRELIMINARY	2629-P	PRELIMINARY	2629-R
		03-09-1054	2629-R2

LEGEND:

2629-****-*

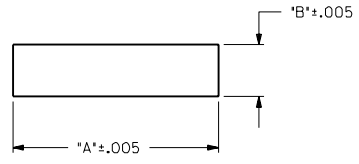
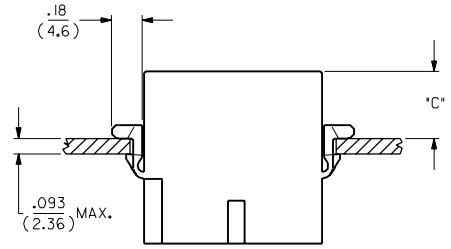
TYPE: _____
 P = PLUG
 R = RECEPTACLE

PLUG FEATURES: _____
 BLANK = WITH PREBENT EARS
 I = WITHOUT EARS

RECEPTACLE FEATURES: _____
 BLANK = WITH PREBENT EARS, WITH POSITIVE LOCK RAMP
 1 = WITHOUT EARS, WITH POSITIVE LOCK RAMP
 2 = WITHOUT EARS, WITH PASSIVE LOCK RAMP

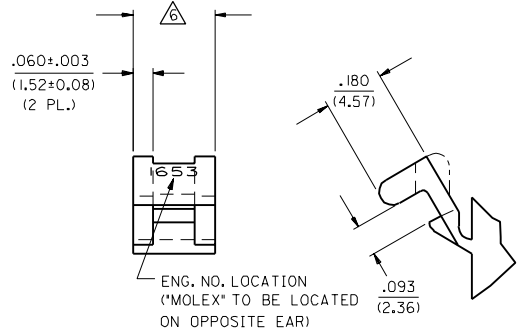
COLOR: _____
 BLANK = NATURAL COLOR
 AM = AMBER BK = BLACK BU = BLUE
 BN = BROWN GY = GRAY GN = GREEN
 OR = ORANGE RD = RED YW = YELLOW

MATERIAL: _____
 BLANK = NYLON TYPE 66, 94V-2 PER SMES-128-A-*



RECOMMENDED PANEL OPENING

HOUSING	DIM. 'A'	DIM. 'B'	'C' PREBENT EAR
PLUG	1.33/(13.78)	.42/(10.67)	.40/(10.1)
RECEPT.	1.23/(31.24)	.31/(7.87)	.42/(10.6)



- NOTES:
- MOLEX PRODUCT SPEC 02-09 APPLIES.
 - 2629-P* (PLUG) WILL ACCEPT 2629-R* 5 CIRCUIT RECEPTACLES OR 1490-R* 4 CIRCUIT RECEPTACLE.
 - ACCEPTS MOLEX .093 SERIES TERMINALS.
 - CIRCUIT I.D. NUMBERS ON HOUSING APPEAR ON PARTS FROM TOOLS BUILT AFTER 1/6/92.
 - LOCK RAMP ON THIS SIDE OF PART AVAILABLE IN EITHER A POSITIVE LOCK RAMP OR PASSIVE LOCK RAMP STYLE.
 - FOR DIMENSION, SEE SHEET 1.

DETAIL A
 .093/(2.36) PREBENT MOUNTING EAR
 (SCALE 4:1)

DIMENSIONS SHOWN METRIC (INCH)		UNLESS OTHERWISE SPECIFIED TOLERANCES: ANGULAR ± .040°		REVISIONS ONLY ON CAD SYSTEM	
INCH		METRIC		TITLE	
3 PLACE	± .010	---	± 0.25	.093/(2.36) HOUSINGS PLUG & RECEPTACLE	
2 PLACE	± .014	---	± 0.35	5 CIRCUIT .198/(5.03)C	
1 PLACE	---	---	---	MOLEX INCORPORATED	
DRAFT WHERE APPLICABLE MUST REMAIN WITHIN DIMENSIONS		PART NO. L15LEJLL 60532		SHEET NO. 2 DATE 2/3/89	
DRWG. BY KBW		CHKD. BY RW		SEE CHART SD-2629-*	
APP'D. RAS		SCALE 2:1		FILE NAME 526295X2	
LTR. REVISIONS		LTR. REVISIONS		DIV. CP	