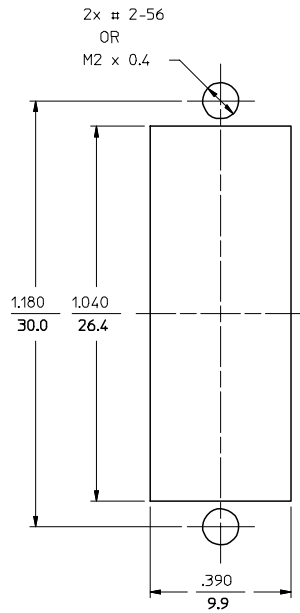
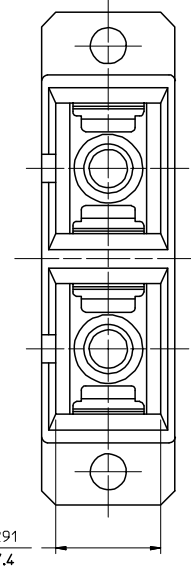
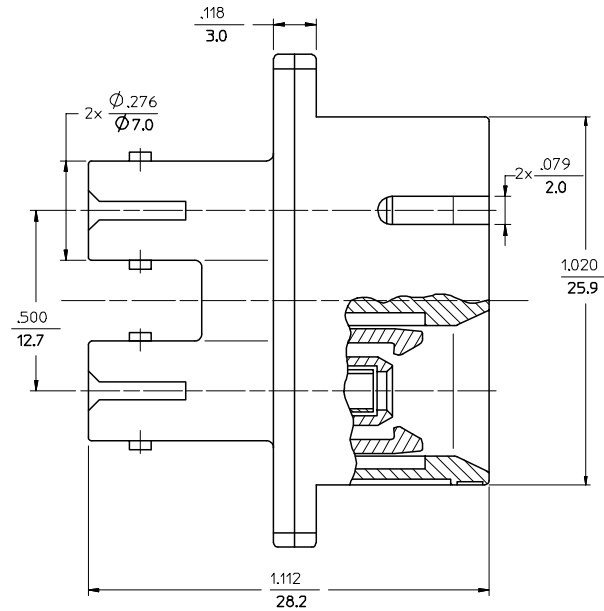
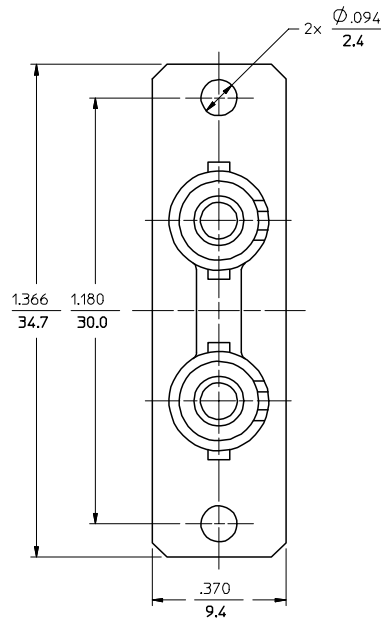


P/N OF ADAPTER	MATERIAL OF SLEEVE	TYPE	COLOR
106166-1000	ZR	SINGLE MODE	BLUE
106167-1000	PHOSPHOR BRONZE		
106166-1010	ZR	MULTIMODE	BEIGE
106167-1010	PHOSPHOR BRONZE		
106166-1030	ZR	MULTIMODE	BLACK
106167-1030	PHOSPHOR BRONZE		



RECOMMENDED MOUNTING PATTERN



NOTE:
DUST CAPS ARE NOT SHOWN BUT INCLUDED.

ENTER DESCRIPTION EC NO: MF2006-0237 DRAWN: JGIBLIN 2005/11/29 CHKD: 2005/11/29 APPR: JGUMIN 2005/11/29 REV: A	QUALITY SYMBOLS 	GENERAL TOLERANCES (UNLESS SPECIFIED)		DIMENSION STYLE IN/MM	SCALE 4:1	DESIGN UNITS INCH	THIRD ANGLE PROJECTION	
		mm INCH	DRAWN BY RPACIFICI	DATE 2005/10/11	TITLE DUPLEX ADAPTER (SC-D/ST)			
		4 PLACES ± --- ± --- 3 PLACES ± --- ± --- 2 PLACES ± --- ± --- 1 PLACE ± --- ± ---	CHECKED BY DATE 	APPROVED BY DATE				
		ANGULAR ±1/2°		MATERIAL NO.		DOCUMENT NO.		SHEET NO.
DRAFT WHERE APPLICABLE MUST REMAIN WITHIN DIMENSIONS		SEE TABLE		SD-10616X-10X0		1 OF 01		
THIS DRAWING CONTAINS INFORMATION THAT IS PROPRIETARY TO MOLEX INCORPORATED AND SHOULD NOT BE USED WITHOUT WRITTEN PERMISSION								