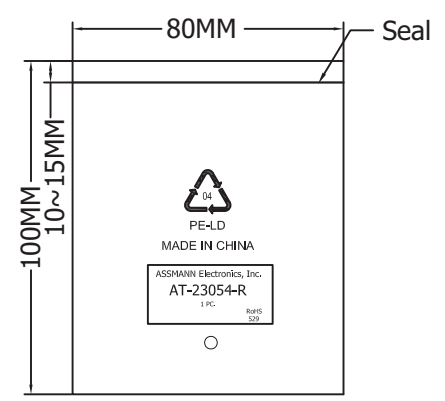
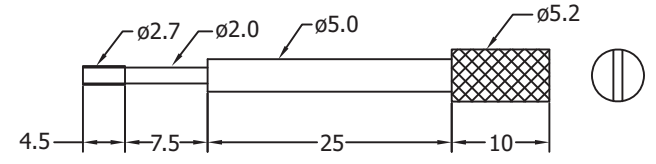


P2



1PCS/PE Bag



Pin Assignment

P1	P2
Blue	1
Orange	2
Black	3
Red	4
Green	5
Yellow	6
Brown	7
White	8

Material:

- Cable: UL 26AWG, 60MM
 - Blue, Orange, Black, Red, Green, Yellow, Brown, White
- P1 Connector: D-Sub 25-Pin Male
 - Crimp Type
 - Black Insulation
- P2 Connector: RJ45 8P8C Female 3µ"
- Color: Beige
- PVC Housing
- Thumbscrew: 5*37MM



Scale	1:1						Name	Item No.
TOLERANCE					Drawn	11.22.11	Chappell	AT-23054-R
X.X	±0.40				Approved			
X.XX	±0.25							
X.XXX	±0.15							
Angle	±3°							Title D-Sub Modular Adapter, 25 Pin Male <=> RJ12 Female, Beige
								Drawing No.
								Replace
								Sheet
Modification				Date	Name			

rev00