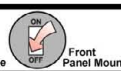


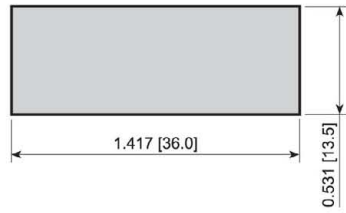
# PP2 Series



US RoHS

**NEW**

## Suggested Panel Cutout



## FEATURES:

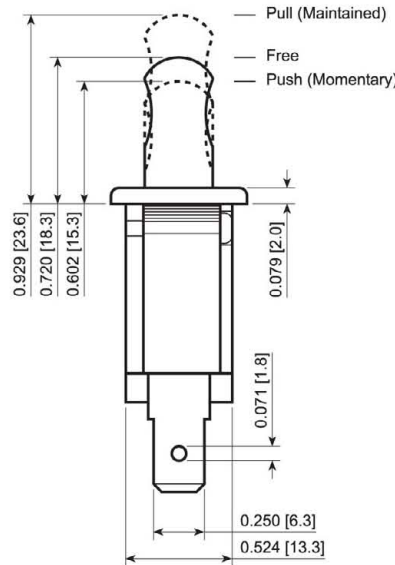
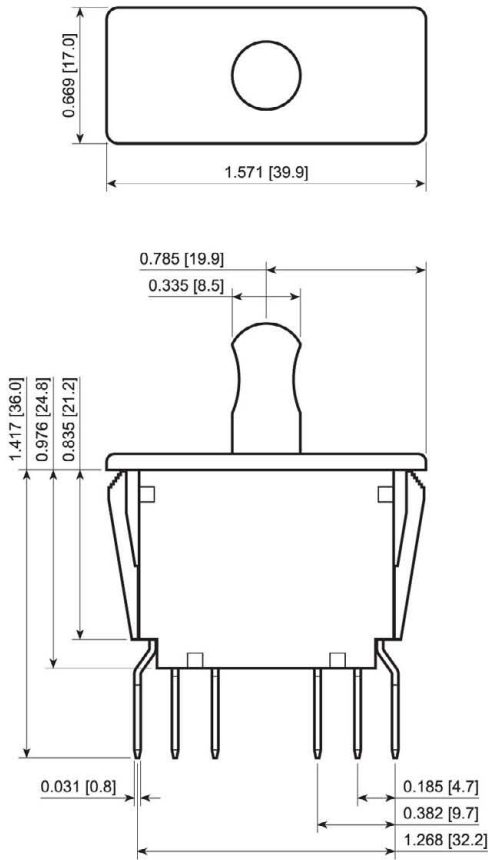
- Push-Pull or Momentary Functions
- Various Actuator and Terminal Options
- High Ratings with UL Approvals

## SPECIFICATIONS:

**ELECTRICAL RATING:** 16A 125VAC [cURus]  
12A 250VAC [cURus]  
1hp 125/250VAC [cURus]  
**TEMPERATURE:** 0°C to 85°C [cURus]  
**ELECTRICAL LIFE:** 6,000 Cycles [cURus]  
**CONTACT RESISTANCE:** 50mΩ Max.

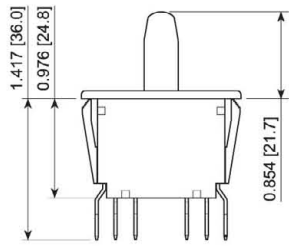
## MATERIALS:

**Body:** Polyamide 6/6  
**ACTUATOR:** Polyamide 6/6  
**CONTACTS:** Silver Alloy  
**TERMINALS:** Silver Plated Brass

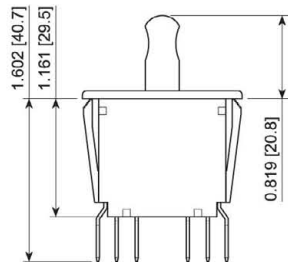


PP2-4U7-2B2

## Actuator Options

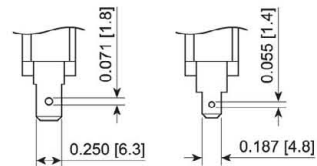


21.7mm Straight



20.8mm Push-Pull

## Terminal Options



6.3mm Tab

4.8mm Tab

PP2-4H7-2A2



SPECIFICATIONS SUBJECT TO CHANGE WITHOUT NOTICE

Series	Terminal Type	Function	Rating	Body Color	Actuator Height	Actuator Color
PP2	1 - 4.8mm Tabs, Vertical 4 - 6.3mm Tabs, Vertical	H - On-(On) U - On <sub>2</sub> -On <sub>1</sub> -(On <sub>2</sub> )	7 - 16A 125VAC 12A 250VAC 1HP 125/250VAC	1 - Black 2 - White	A - 21.7mm Straight* B - 18.3mm Push-Pull** C - 20.8mm Push-Pull**	2 - White

Notes:  
\* = Available with H function only.  
\*\* = Available with U function only.

## EXAMPLE PART NUMBERS:

PP2-4H7-2A2      2P On-(On)  
6.3mm Tab, 19.7mm Straight Actuator  
PP2-4U7-2B2      2P On<sub>2</sub>-On<sub>1</sub>-(On<sub>2</sub>)  
6.3mm Tab, 16.3mm Push-Pull Actuator