

5

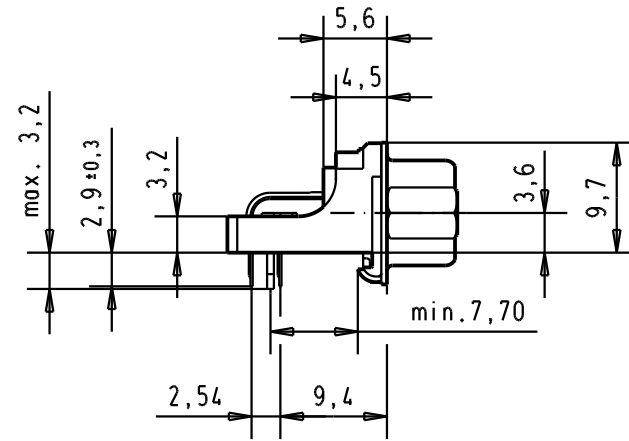
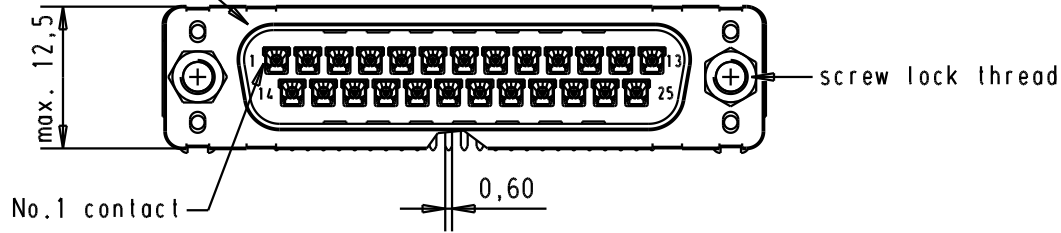
4

3

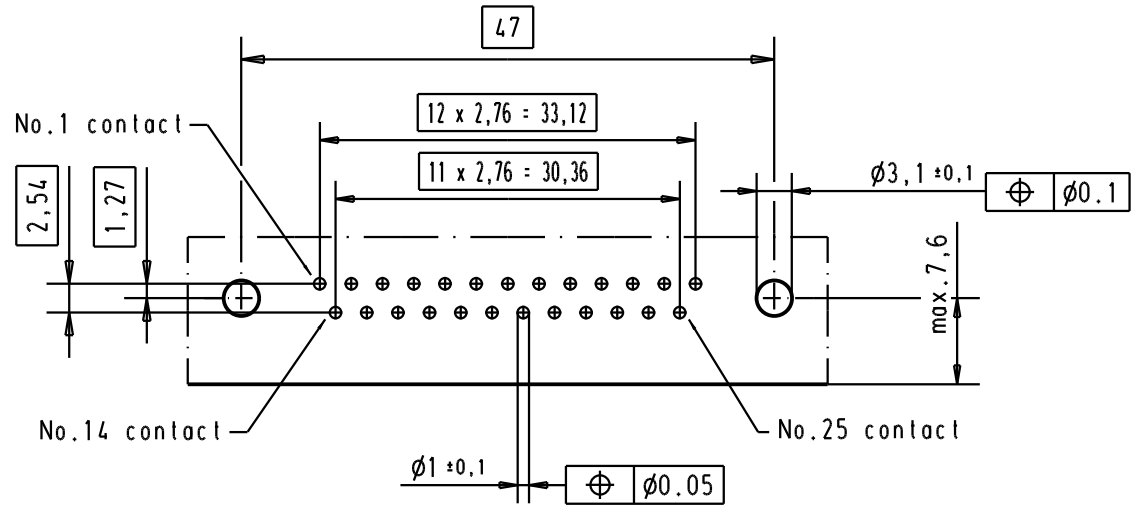
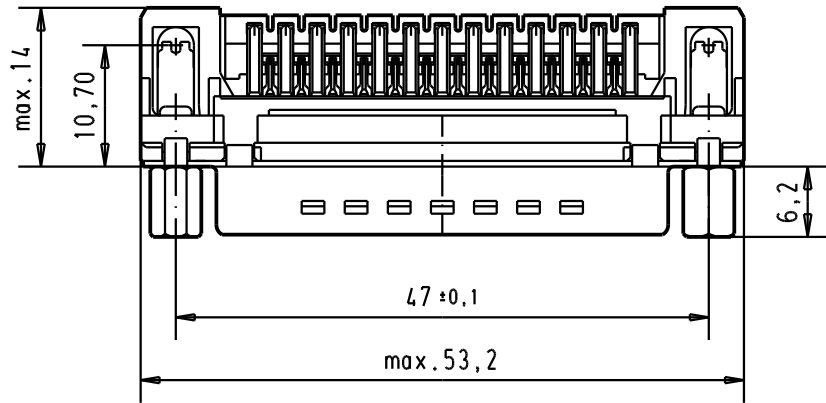
2

1

Mating face according to : MIL-C-24308 / DIN 41652 / CECC 75301-802




PCB layout hole component side



Connector retention and assembling forces on the PCB = 25 / 80 newtons

A

						Dat.	Name	 All Dim. in mm Orig. Size DIN A 4	D-Sub, male, low profil angle 25 poles, with solder pin, screw lock, grounding board lock.	Maßstab/ Scale 1.5:1
						Detail.	ALSPACE			
						Insp.				
			31892	22/04/04	JH					
09 65 362 3817	4-40 UNC	1	31084	04/SEP/02	YT	Stand.				
09 65 362 6817	4-40 UNC	2	29689	03/07/01	AA					
09 65 362 7817	4-40 UNC	3	27960	18/dec/00	ALSPACE					
Part number	Screw lock thread	Performance level	Mod.	Dat.	Name	HARTING EURL F-95972 Paris			TB 0965362x81x Sub.	Blatt/ Page 3

