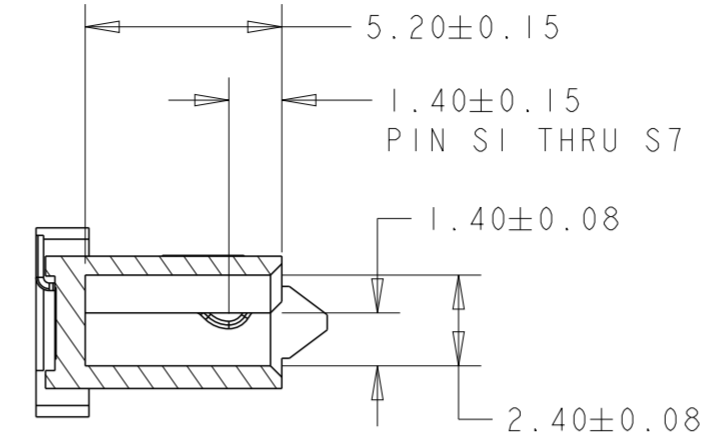
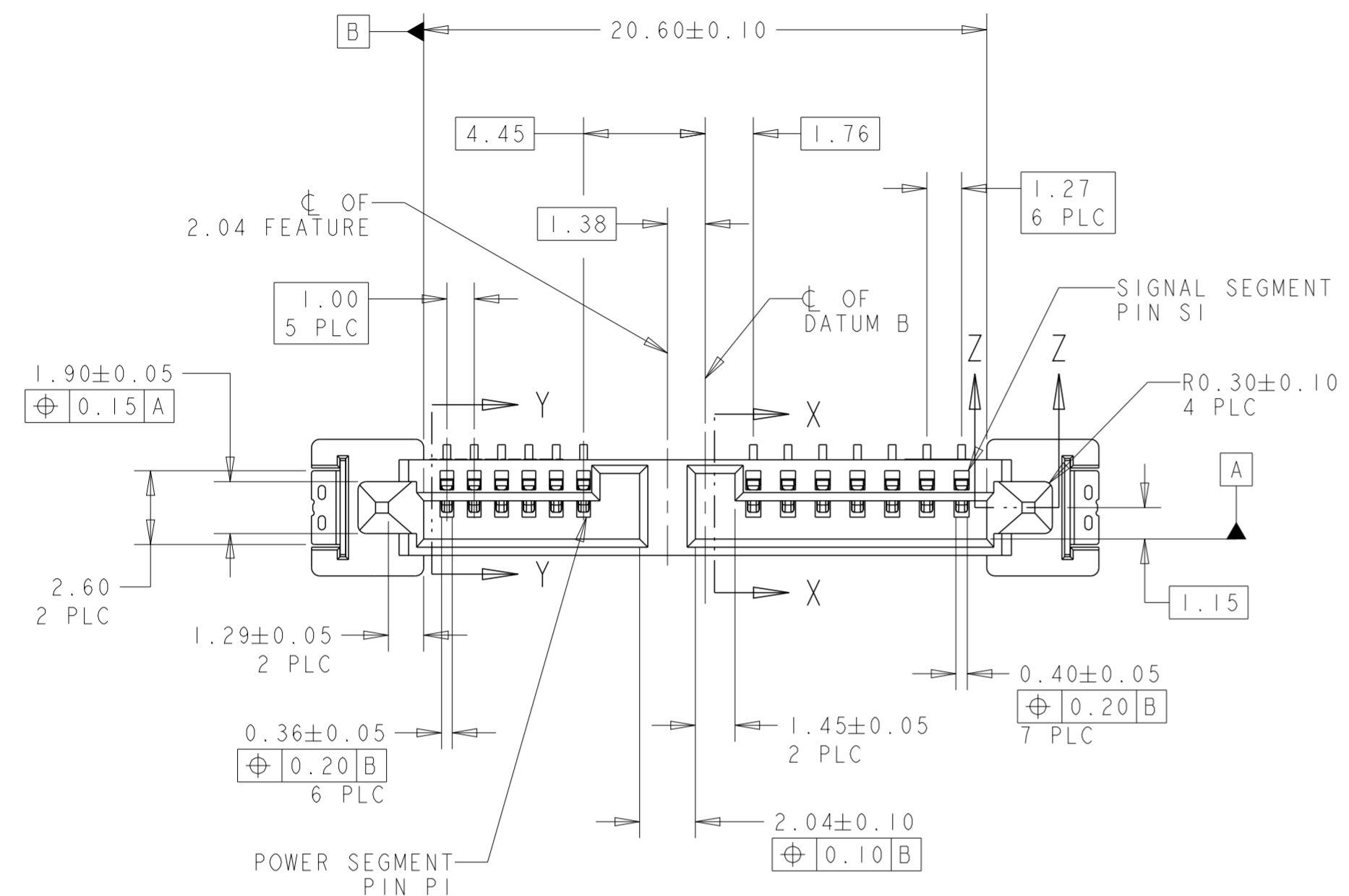
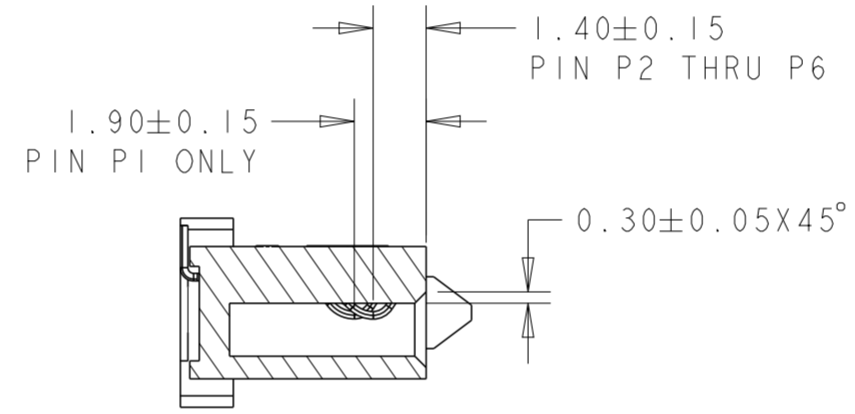


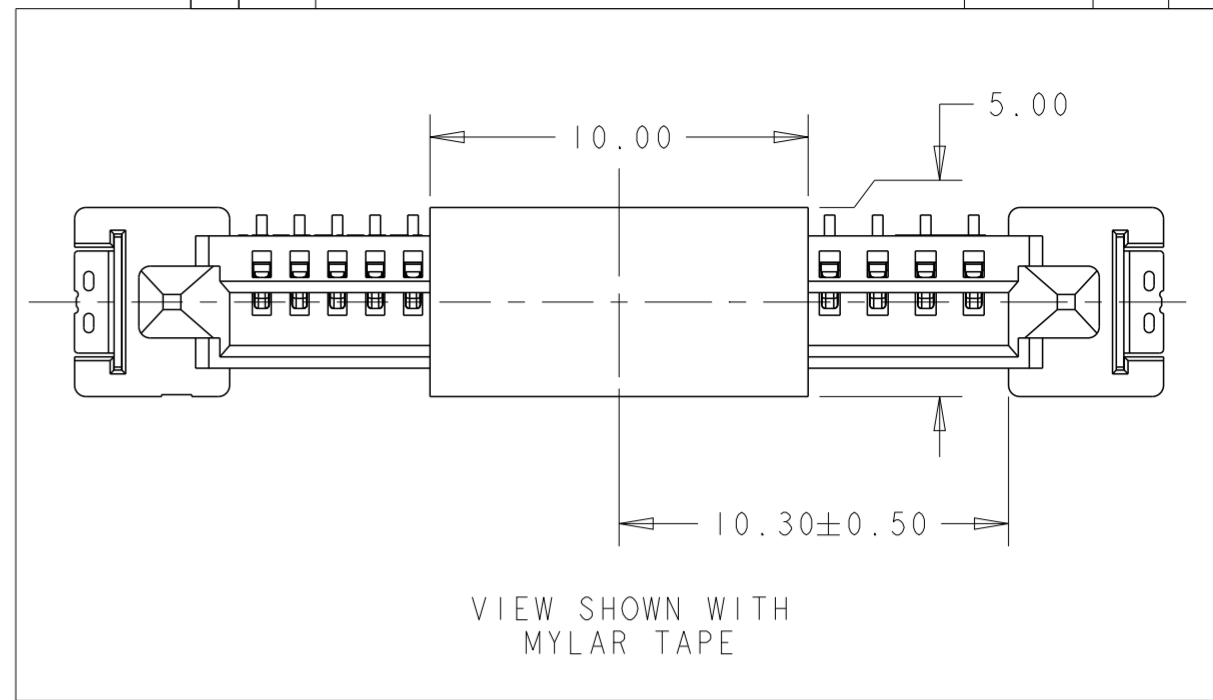
REVISIONS					
P	LTR	DESCRIPTION	DATE	DWN	APVD
A4		REVISED (ECR-14-008584)	07MAY2015	E.L	V.P



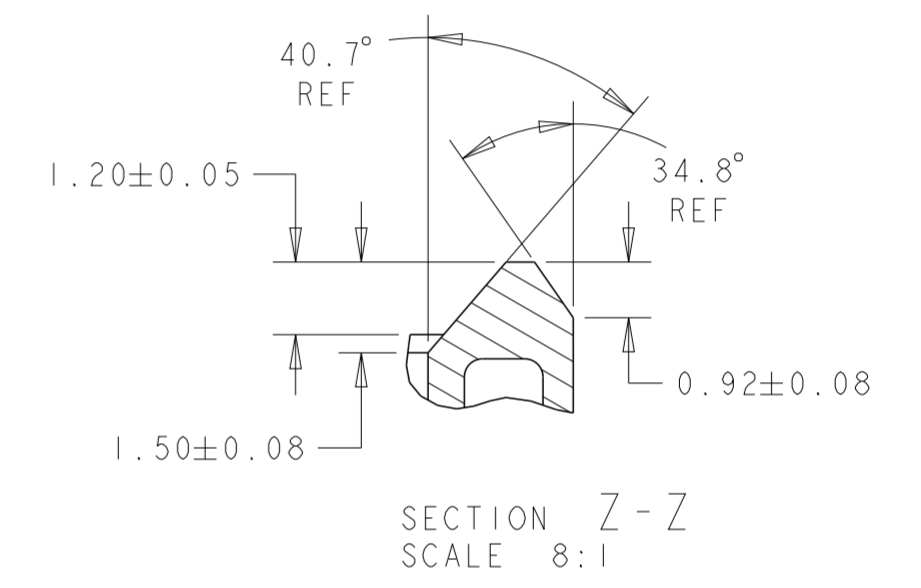
SECTION X-X



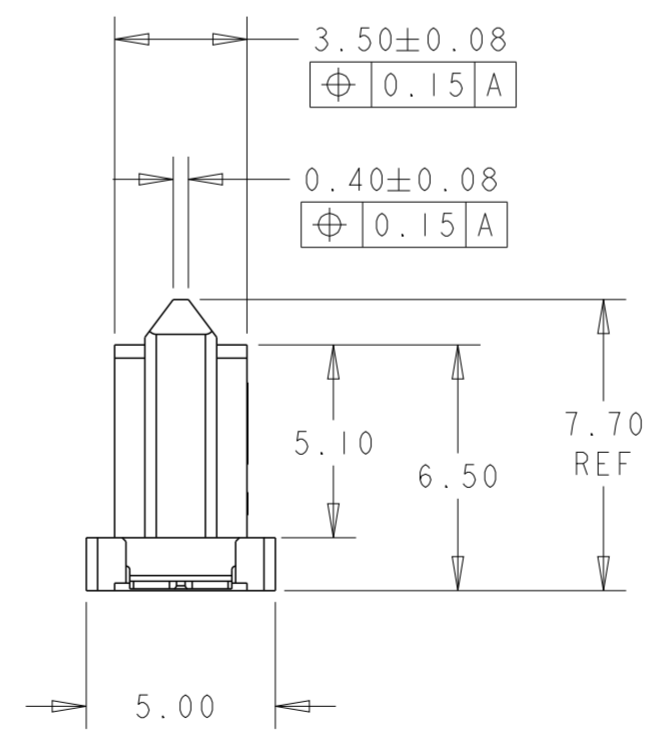
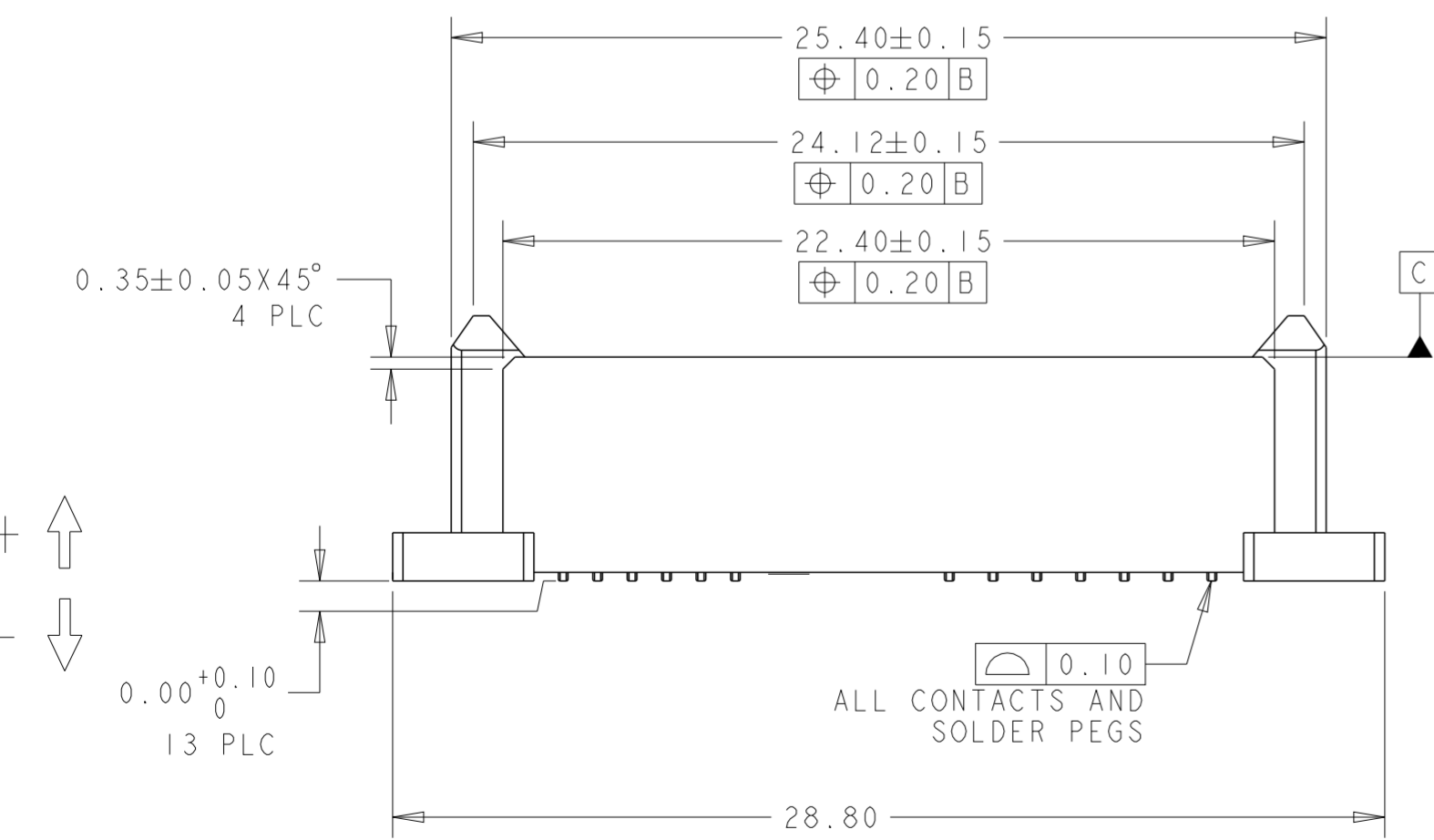
SECTION Y-Y



VIEW SHOWN WITH MYLAR TAPE



SECTION Z-Z  
SCALE 8:1



NOTES:

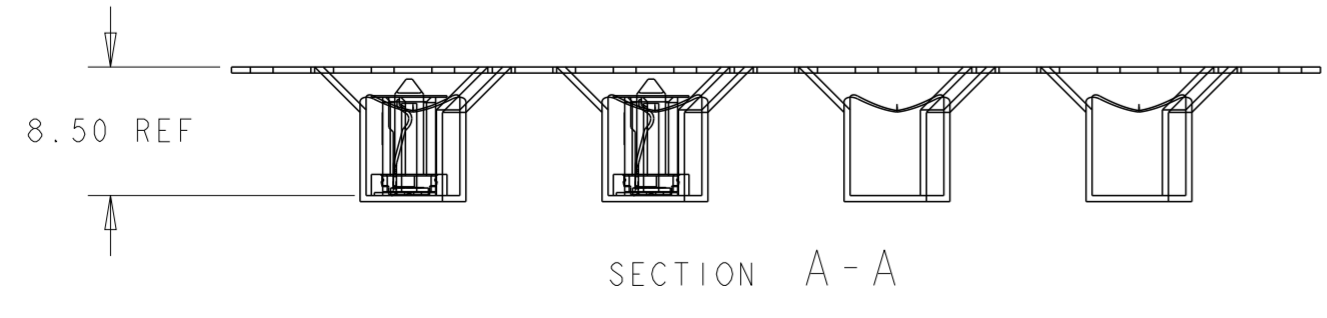
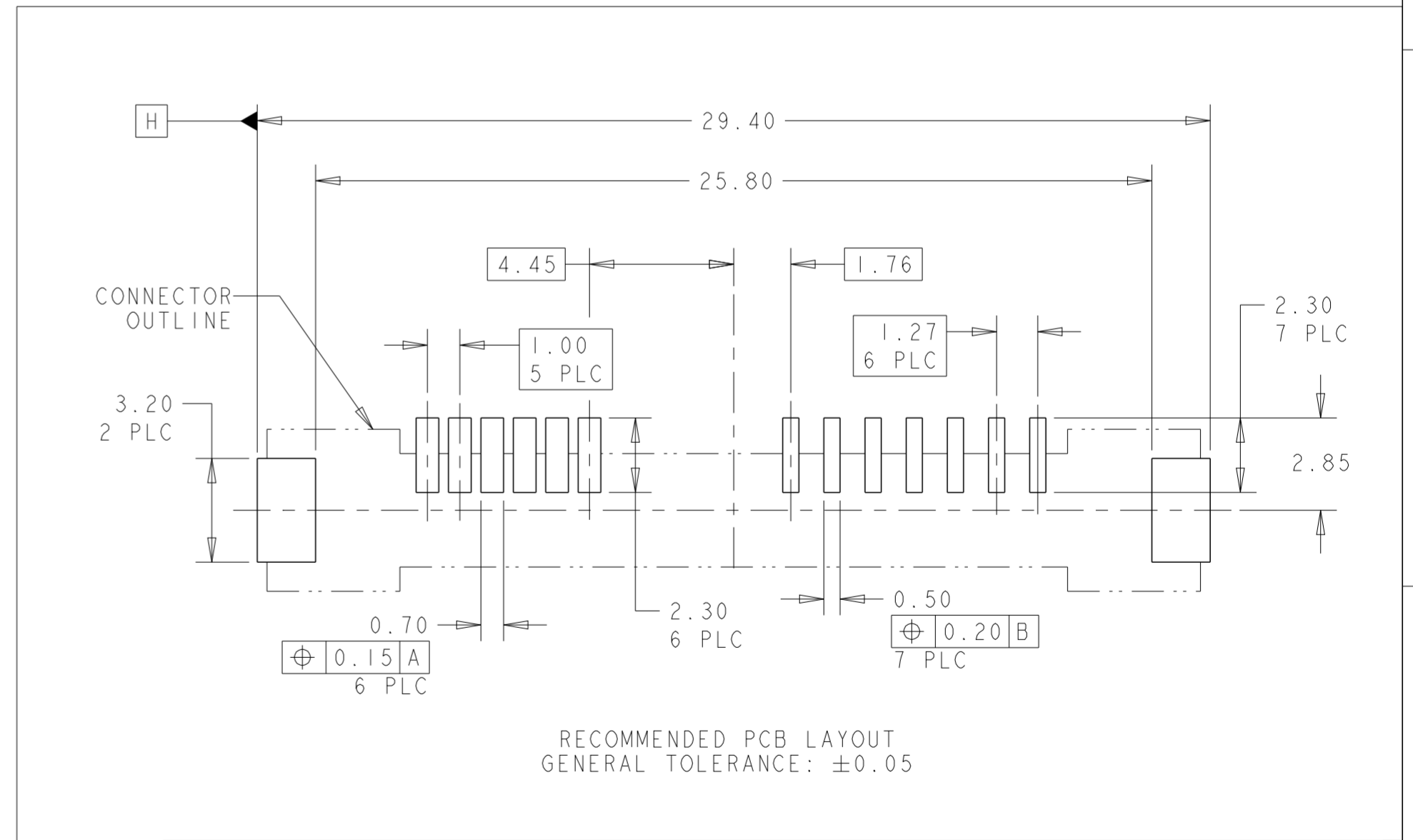
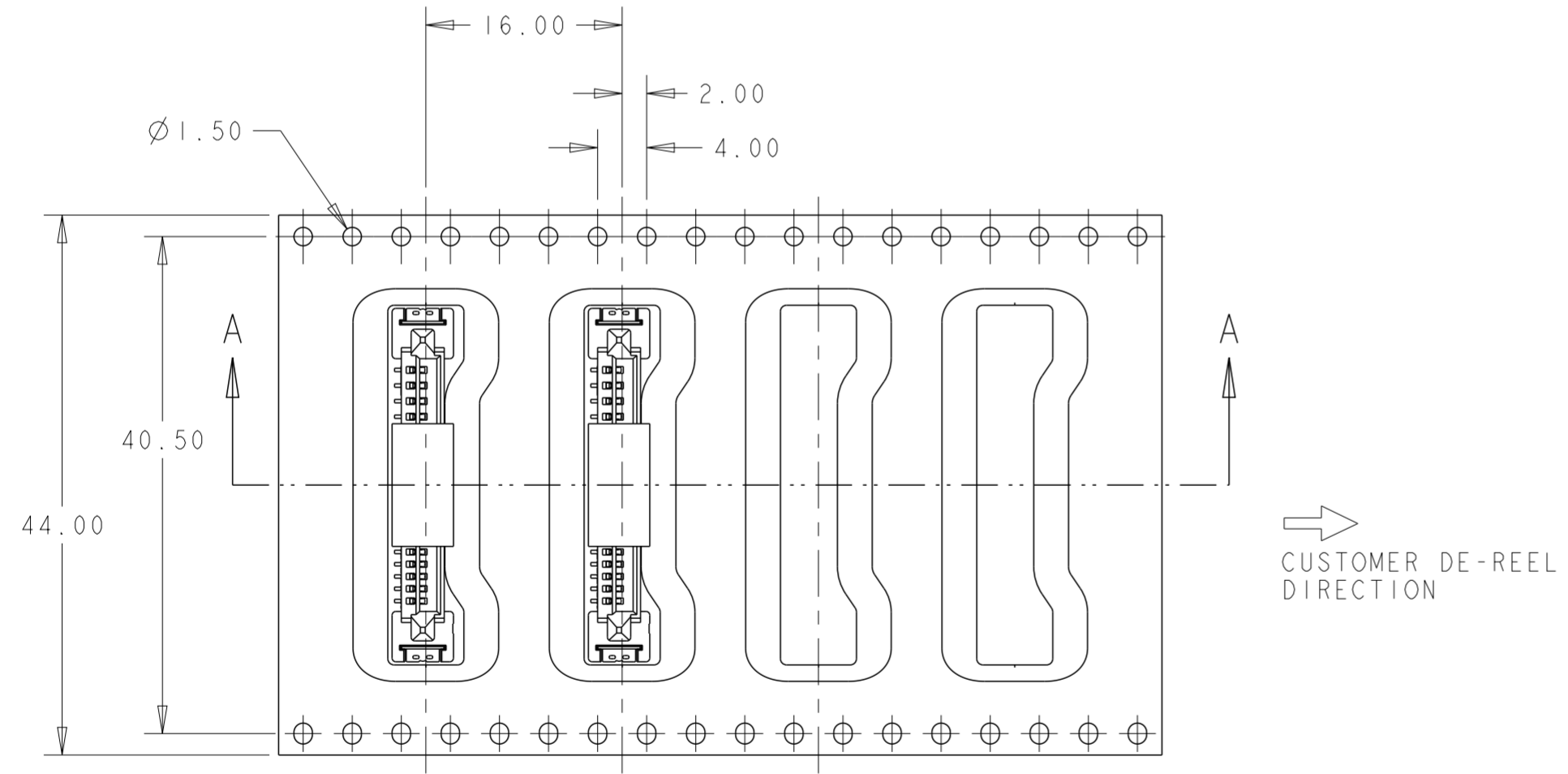
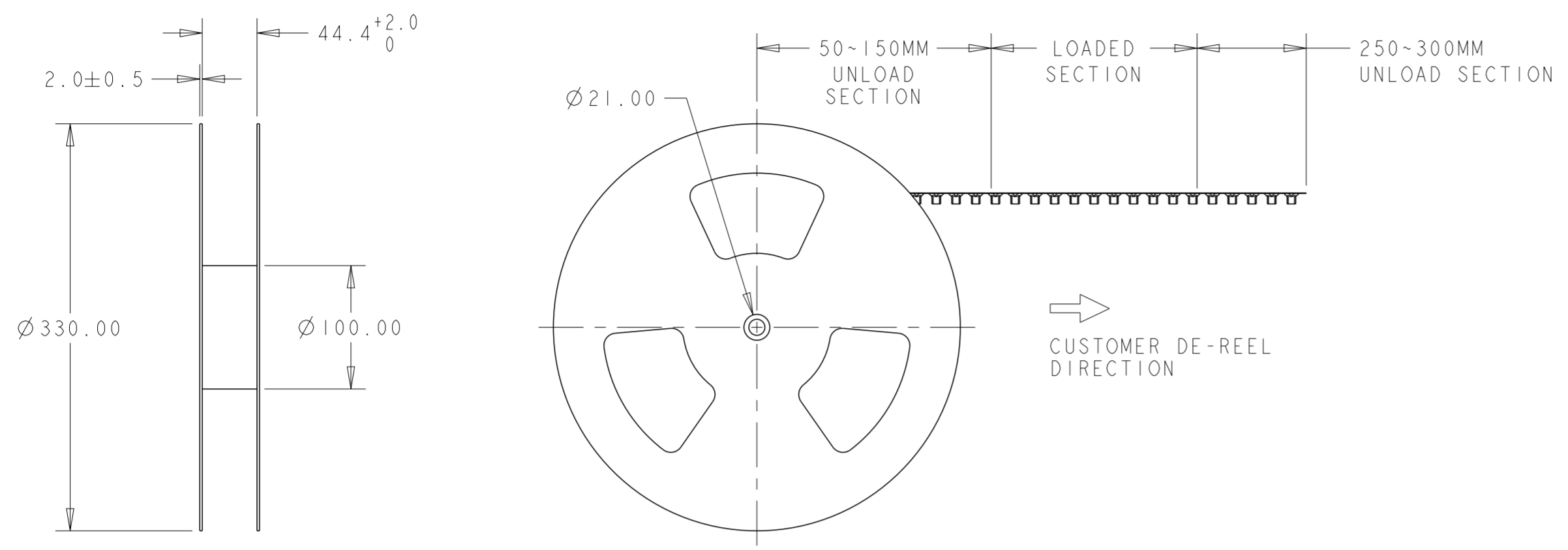
- 1 MATERIAL:  
HOUSING: HIGH TEMP THERMOPLASTIC, UL94V-0, COLOR: BLACK  
CONTACT: COPPER ALLOY  
SOLDER PEG: COPPER ALLOY
- 2 FINISH:  
CONTACT MATING AREA: GOLD PLATING OR GOLD FLASH OVER PALLADIUM-NICKEL (SEE TABLE FOR THICKNESS)  
CONTACT SOLDER TAIL: MIN 2.54um MATTE TIN PLATING  
SOLDER PEG: MIN 2.54um MATTE TIN PLATING  
UNDERPLATE: MIN 1.27um NICKEL PLATING ALL OVER
- 3. PACKAGING: TAPE & REEL.  
QTY: 500PCS/REEL


0.76um MIN	1735539-3
0.38um MIN	1735539-2
<del>GOLD FLASH ONLY</del>	<del>1735539-1</del>
AU OR PD-NI THICKNESS	PART NUMBER

THIS DRAWING IS A CONTROLLED DOCUMENT.		DWN SK LEAW 12MAR2008	TE Connectivity		
DIMENSIONS: mm		CHK SF LEONG 12MAR2008			
TOLERANCES UNLESS OTHERWISE SPECIFIED:		APVD SF LEONG 12MAR2008			
0 PLC ± 1 PLC ±0.4 2 PLC ±0.20 3 PLC ± 4 PLC ± ANGLES ±3° FINISH		PRODUCT SPEC 108-51075	NAME SLIMLINE SATA RECEPTACLE, VERTICAL, SMT, 6.5H		
MATERIAL 1		APPLICATION SPEC -	SIZE A2	CAGE CODE 00779	DRAWING NO C-1735539
CUSTOMER DRAWING		WEIGHT -	SCALE 5:1	SHEET 1 OF 2	REV A4

THIS DRAWING IS UNPUBLISHED. RELEASED FOR PUBLICATION 20  
 © COPYRIGHT 20 BY - ALL RIGHTS RESERVED.

REVISIONS				
P	LTR	DESCRIPTION	DATE	APVD
-	-	SEE SHEET 1	-	-



THIS DRAWING IS A CONTROLLED DOCUMENT.		DWN SK LEAW 12MAR2008	 TE Connectivity
DIMENSIONS: mm		CHK SF LEONG 12MAR2008	
TOLERANCES UNLESS OTHERWISE SPECIFIED:		APVD SF LEONG 12MAR2008	
0 PLC ± 1 PLC ±0.4 2 PLC ±0.20 3 PLC ± 4 PLC ± ANGLES ±3° FINISH		PRODUCT SPEC 108-51075 APPLICATION SPEC WEIGHT CUSTOMER DRAWING	
MATERIAL		NAME SLIMLINE SATA RECEPTACLE, VERTICAL, SMT, 6.5H	RESTRICTED TO
		SIZE A2	CAGE CODE C-1735539
		SCALE 5:1	SHEET 2 OF 2 REV A4