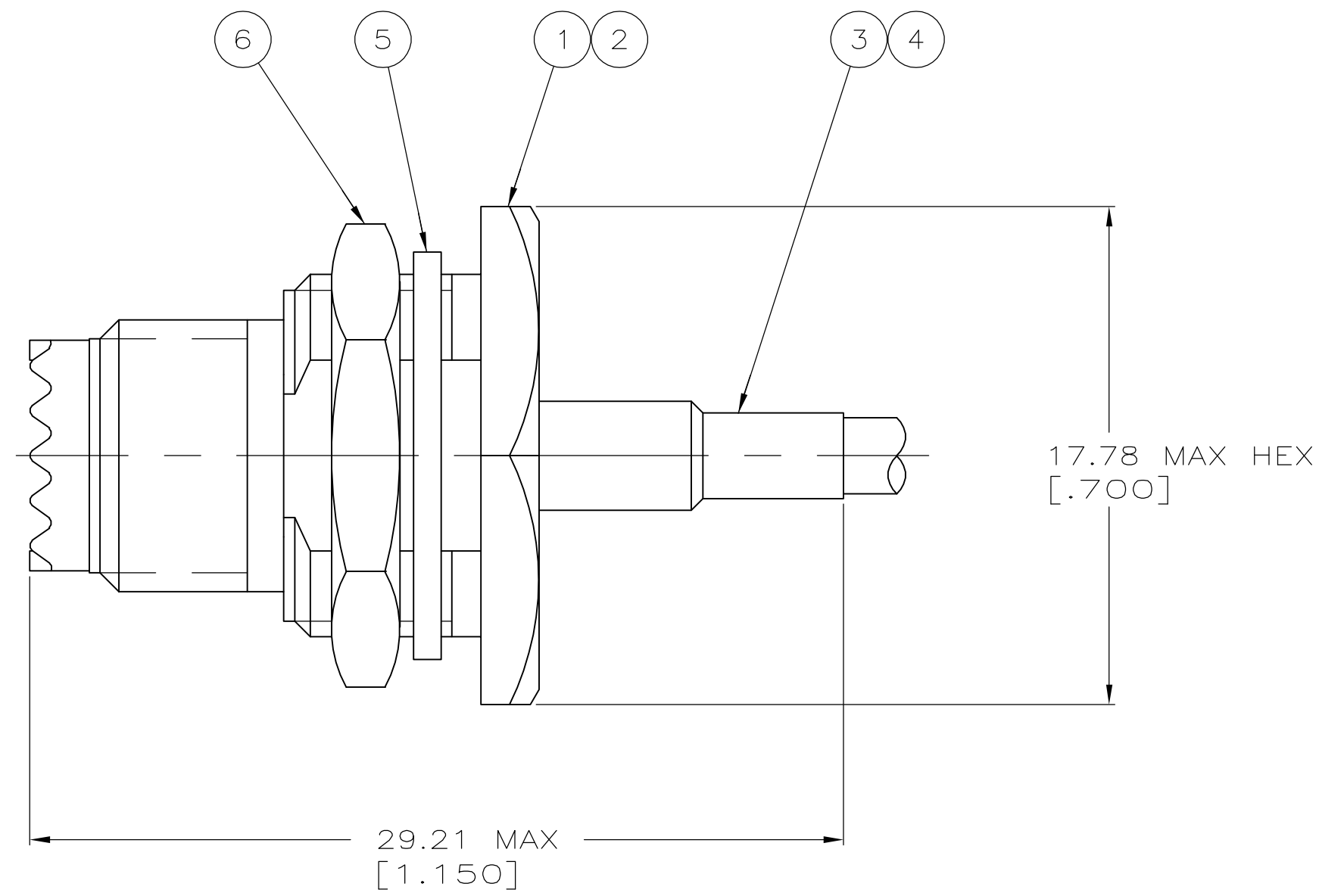
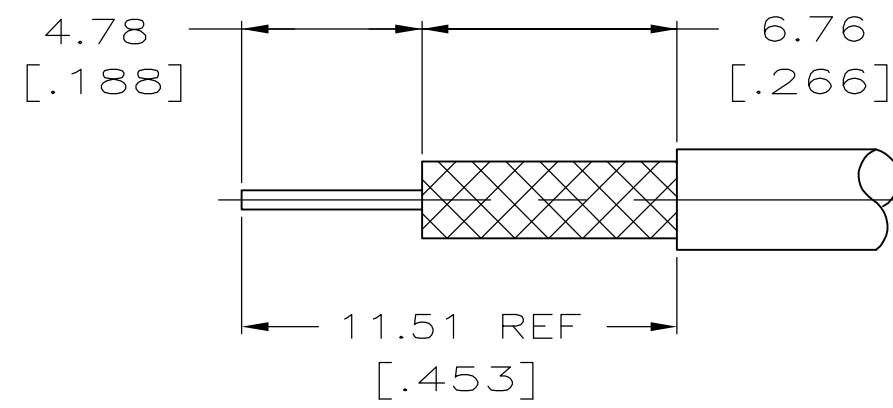


THIS DRAWING IS UNPUBLISHED. RELEASED FOR PUBLICATION
 © COPYRIGHT BY TYCO ELECTRONICS CORPORATION. ALL RIGHTS RESERVED.

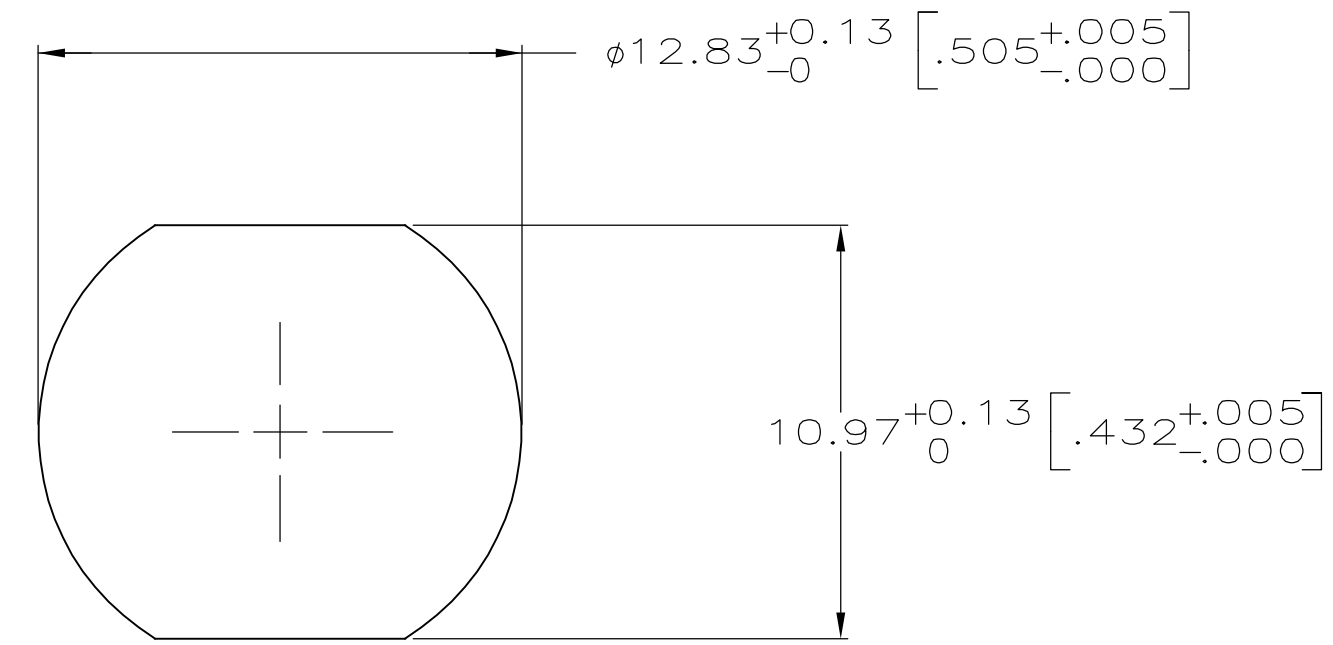
LOC		DIST		REVISIONS			
P	LTR	DESCRIPTION	DATE	DWN	APVD		
AJ	00	0	RELEASED PER EC 0514-0187-05	20OCT05	BM	GM	



1. FOR USE WITH RG-188/U CABLE
2. USE CRIMPING TOOL 59983-1
3. SEE I.S. 2578



RECOMMENDED STRIP LENGTH



RECOMMENDED PANEL CUT OUT

1-329631-2	1-329632-2	21427-1	9-328666-0	9-228668-0	228666-1	5228665-2
⑥ JAM NUT QTY=1	⑤ LOCKWASHER QTY=1	④ BUSHING QTY=1	③ FERRULE QTY=1	② CONTACT QTY=1	① JACK ASS'Y QTY=1	PART NUMBER

THIS DRAWING IS A CONTROLLED DOCUMENT.

DWN	B. MCMASTER	20OCT05
CHK	G. MICHAEL	20OCT05
APVD	G. MICHAEL	20OCT05
PRODUCT SPEC	-	
APPLICATION SPEC	-	
WEIGHT	-	
CUSTOMER DRAWING	-	

DIMENSIONS: mm [INCHES]
 TOLERANCES UNLESS OTHERWISE SPECIFIED:
 0 PLC ± -
 1 PLC ± -
 2 PLC ± 0.41 [.016]
 3 PLC ± -
 4 PLC ± -
 ANGLES ± -
 FINISH -

Tyco Electronics Corporation
 Harrisburg, PA 17105-3608
 NAME: JACK, BULKHEAD, MINIATURE UHF
 SIZE: A2 CAGE CODE: 00779 DRAWING NO: C=5228665 RESTRICTED TO: -
 SCALE: 5:1 SHEET: 1 of 1 REV: 0