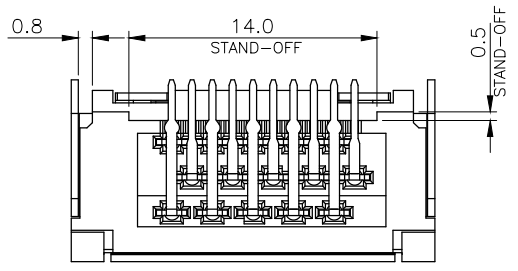
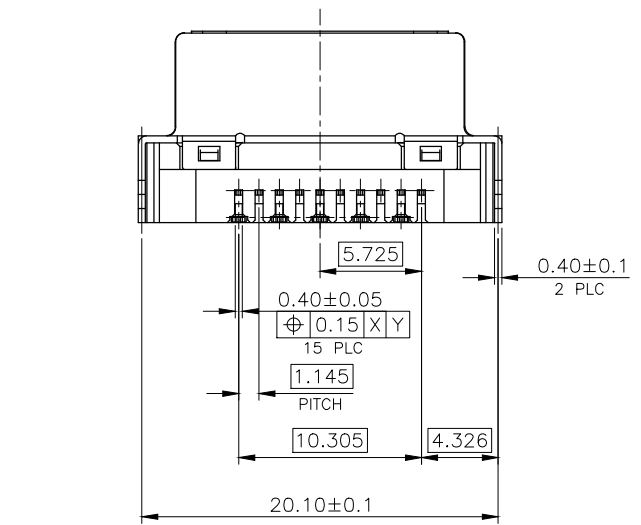
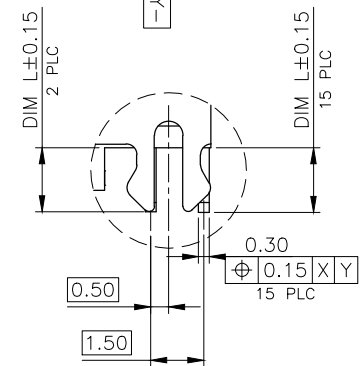
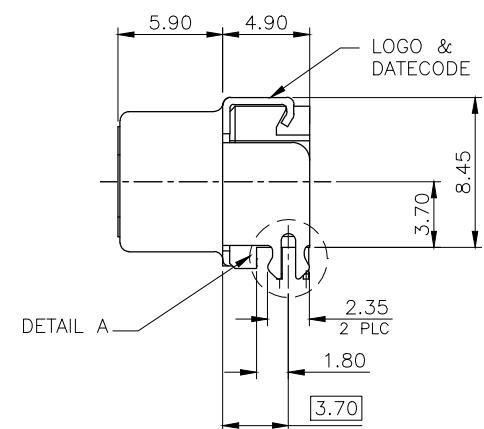
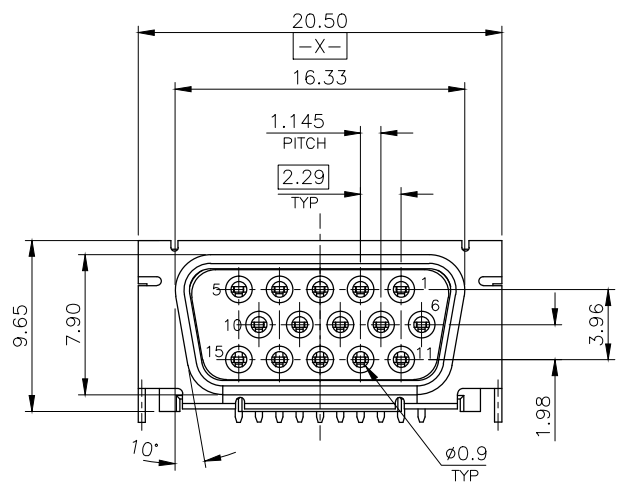
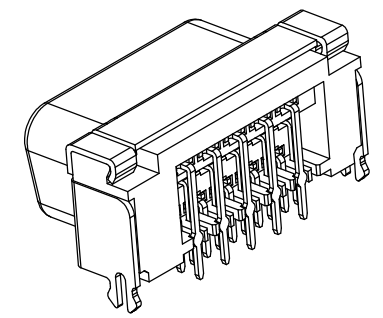
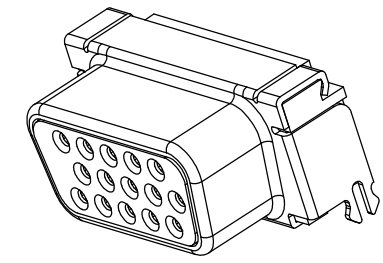


THIS DRAWING IS UNPUBLISHED. RELEASED FOR PUBLICATION
 © COPYRIGHT 2010 BY TYCO ELECTRONICS CORPORATION. ALL RIGHTS RESERVED.

LOC		DIST		REVISIONS			
P	LTR	DESCRIPTION		DATE	DWN	APVD	
	C1	REVISED (ECR-14-009540)		25JUN2014	S.C.	H.L.	



- NOTES:
- MATERIAL:
 - HOUSING: LCP WITH 30% GF, UL 94V-0, COLOR: BLACK.
 - CAP: LCP WITH 30% GF, UL 94V-0, COLOR: BLACK.
 - CONTACTS: BRASS.
 - SHELL: SPCC.
 - FINISH:
 - CONTACTS: GOLD FLASH ON CONTACT AREA, 2.54um [100u"] MIN. MATTE-TIN PLATED ON SOLDER TAIL, 1.27um [50u"] MIN. NICKEL UNDERPLATED OVERALL.
 - SHELL: 2.54um [100u"] MIN. NICKEL PLATED OVERALL.
 - REFLOW SOLDER CAPABLE TO 260°C PER TEC-109-201, METHOD B, CONDITION B.
 - LOW HALOGEN SPECIFICATION:
 - CHLORINE(Cl): 900ppm MAX.
 - BROMINE(Br): 900ppm MAX.
 - CHLORINE(Cl)+BROMINE(Br): 1500ppm MAX.

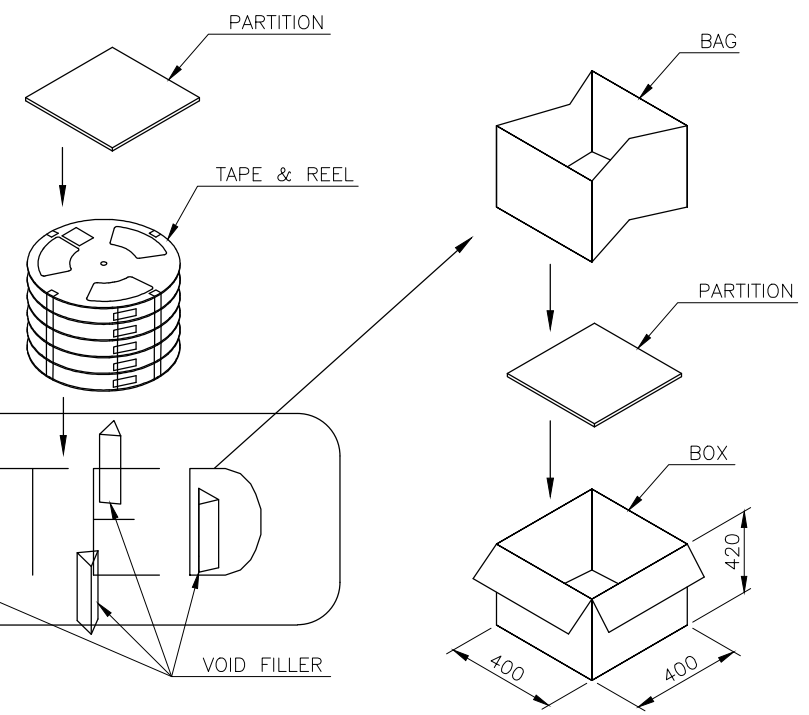
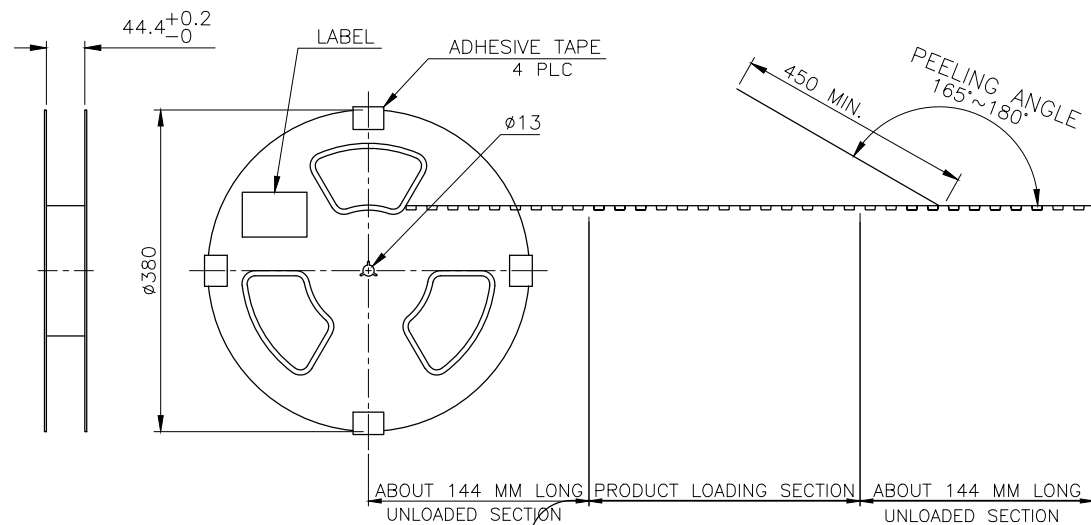


	1.20	2041372-2
OBSELETE	1.80	2041372-1
	DIM L	PART NUMBER

THIS DRAWING IS A CONTROLLED DOCUMENT.		DWN J. CHEN 27JUL2011	TE Connectivity	
DIMENSIONS: mm		CHK S. CHIEN 27JUL2011		
TOLERANCES UNLESS OTHERWISE SPECIFIED:		APVD W. KODAMA 27JUL2011	NAME	
0 PLC ± - 1 PLC ± 0.3 2 PLC ± 0.2 3 PLC ± 0.15 4 PLC ± - ANGLES ± 3°		PRODUCT SPEC 108-57868	D-SUB CONNECTOR, RECEPTACLE ASSEMBLY, 15P, SLIM, RIGHT ANGLE, DIP TYPE, H=8.45mm	
MATERIAL SEE NOTE		APPLICATION SPEC	SIZE A3	CAGE CODE 00779
FINISH SEE NOTE		WEIGHT 3.575 GRAMS	DRAWING NO C-2041372	RESTRICTED TO
CUSTOMER DRAWING		SCALE	SHEET 1 of 4	REV C1

THIS DRAWING IS UNPUBLISHED. RELEASED FOR PUBLICATION
 © COPYRIGHT 2010 BY TYCO ELECTRONICS CORPORATION. ALL RIGHTS RESERVED.

LOC	DIST	REVISIONS					
DW		P	LTR	DESCRIPTION	DATE	DWN	APVD
		SEE SHEET 1.					



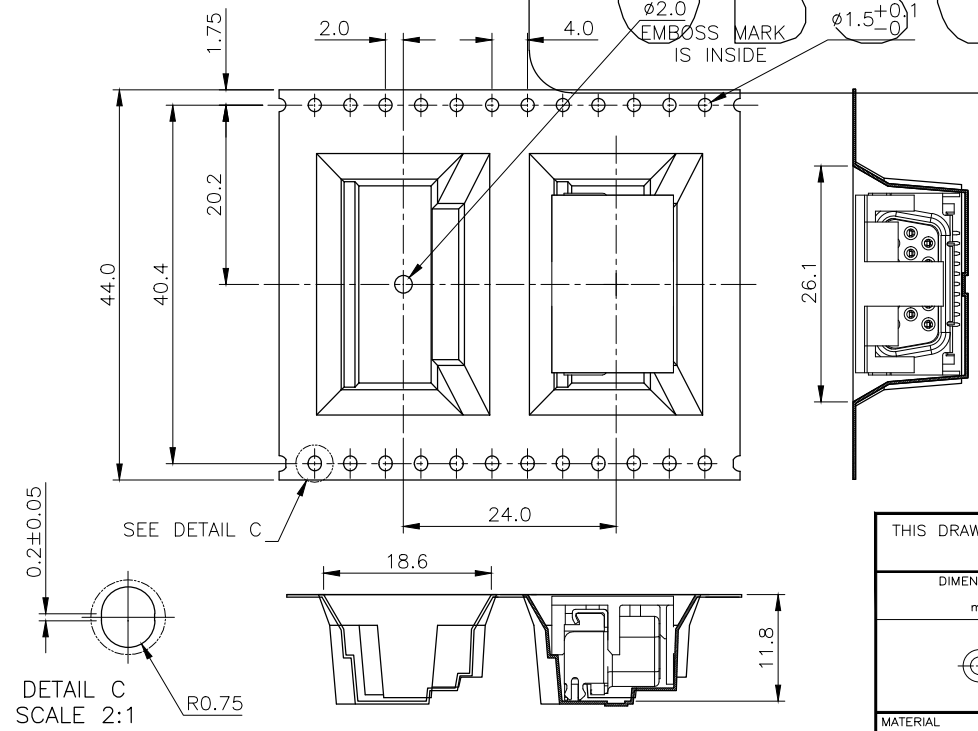
BSO LETED

PULL OUT DIRECTION

EMBOSS MARK IS INSIDE

VOID FILLER

- NOTES:
- MATERIAL:
 CARRIER TAPE: PS.
 COVER TAPE: PET.
 REEL: PS.
 SHIPPING BOX: CORRUGATED FIBERBOARD.
 - PEELING RESISTANCE : 10gf~130gf
 - PEELING SPEED : 300mm/MINUTE

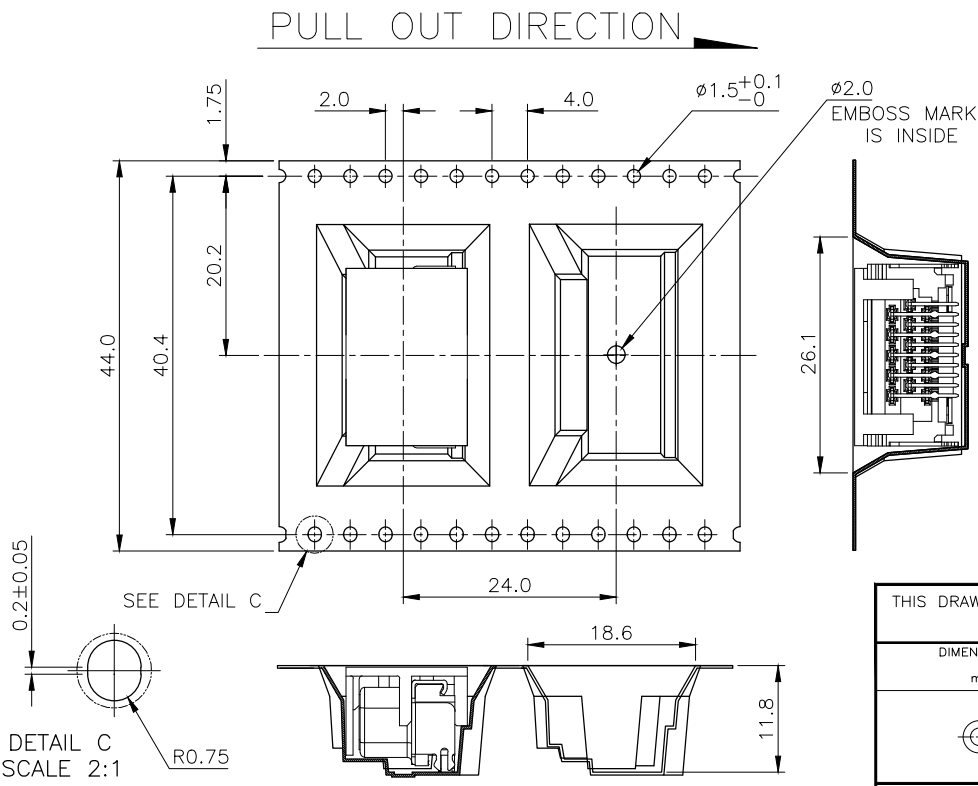
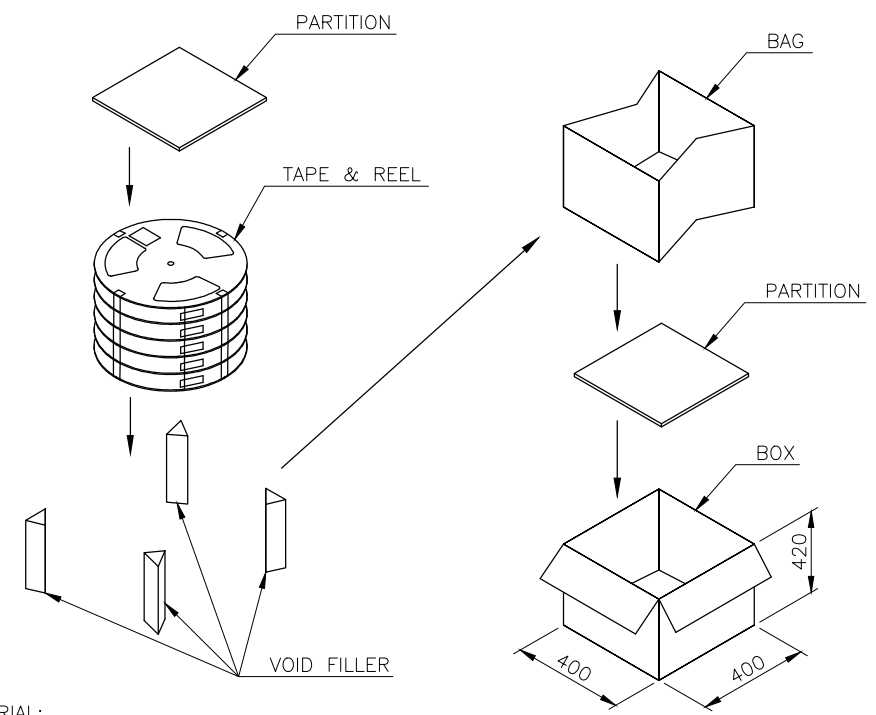
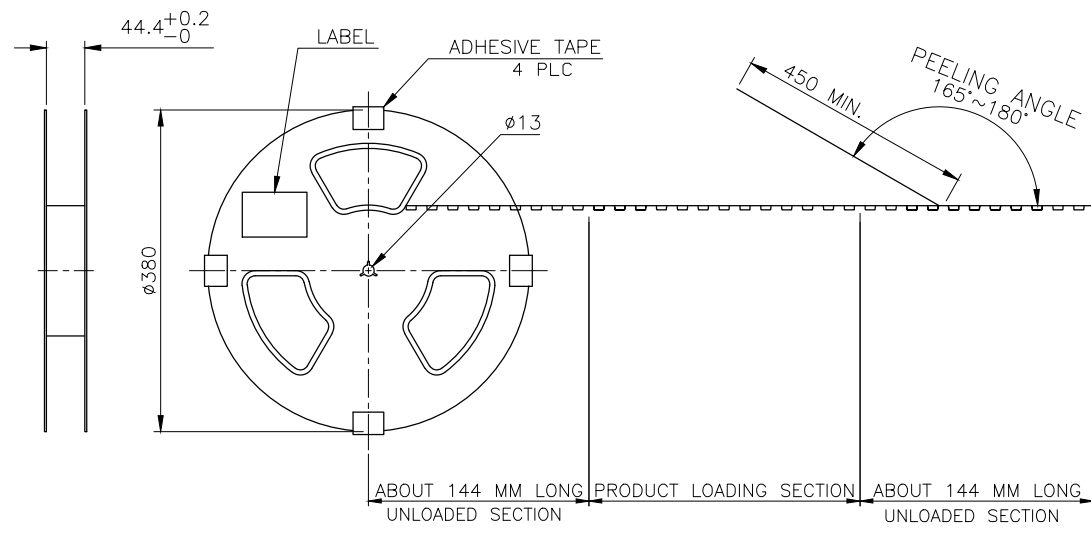


OBSELETE	12.25 KG	8.87 KG	310	8	2480	2041372-1
	GROSS WEIGHT	NET WEIGHT	PCS/ REEL	REELS/ BOX	PCS/ BOX	PART NUMBER

THIS DRAWING IS A CONTROLLED DOCUMENT.		DWN	-	 TE Connectivity	NAME D-SUB CONNECTOR, RECEPTACLE ASSEMBLY, 15P, SLIM, RIGHT ANGLE, DIP TYPE, H=8.45mm
DIMENSIONS: mm		CHK	-		
TOLERANCES UNLESS OTHERWISE SPECIFIED:		APVD	-		
0 PLC ± - 1 PLC ± - 2 PLC ± - 3 PLC ± - 4 PLC ± - ANGLES ± -		PRODUCT SPEC	-		
MATERIAL	FINISH	APPLICATION SPEC	-	SIZE	A3
		WEIGHT	-	CAGE CODE	00779
		CUSTOMER DRAWING	-	DRAWING NO	C=2041372
		SCALE	-	RESTRICTED TO	-
		SHEET	3 of 4	REV	C1

THIS DRAWING IS UNPUBLISHED. RELEASED FOR PUBLICATION
 © COPYRIGHT 2010 BY TYCO ELECTRONICS CORPORATION. ALL RIGHTS RESERVED.

LOC	DIST	REVISIONS					
DW		P	LTR	DESCRIPTION	DATE	DWN	APVD
		SEE SHEET 1.					



- NOTES:
- MATERIAL:
 CARRIER TAPE: PS.
 COVER TAPE: PET.
 REEL: PS.
 SHIPPING BOX: CORRUGATED FIBERBOARD.
 - PEELING RESISTANCE : 10gf~130gf
 - PEELING SPEED : 300mm/MINUTE

12.25 KG	8.87 KG	310	8	2480	2041372-2
GROSS WEIGHT	NET WEIGHT	PCS/ REEL	REELS/ BOX	PCS/ BOX	PART NUMBER

THIS DRAWING IS A CONTROLLED DOCUMENT.		DWN	TE Connectivity		
DIMENSIONS: mm		CHK	NAME		
TOLERANCES UNLESS OTHERWISE SPECIFIED:		APVD	D-SUB CONNECTOR, RECEPTACLE ASSEMBLY, 15P, SLIM, RIGHT ANGLE, DIP TYPE, H=8.45mm		
0 PLC ± -		PRODUCT SPEC	SIZE	CAGE CODE	DRAWING NO
1 PLC ± -		APPLICATION SPEC	A3	00779	C=2041372
2 PLC ± -		WEIGHT	RESTRICTED TO		
3 PLC ± -		CUSTOMER DRAWING	SCALE		
4 PLC ± -			SHEET 4 of 4		
ANGLES ± -			REV C1		
FINISH					