

4

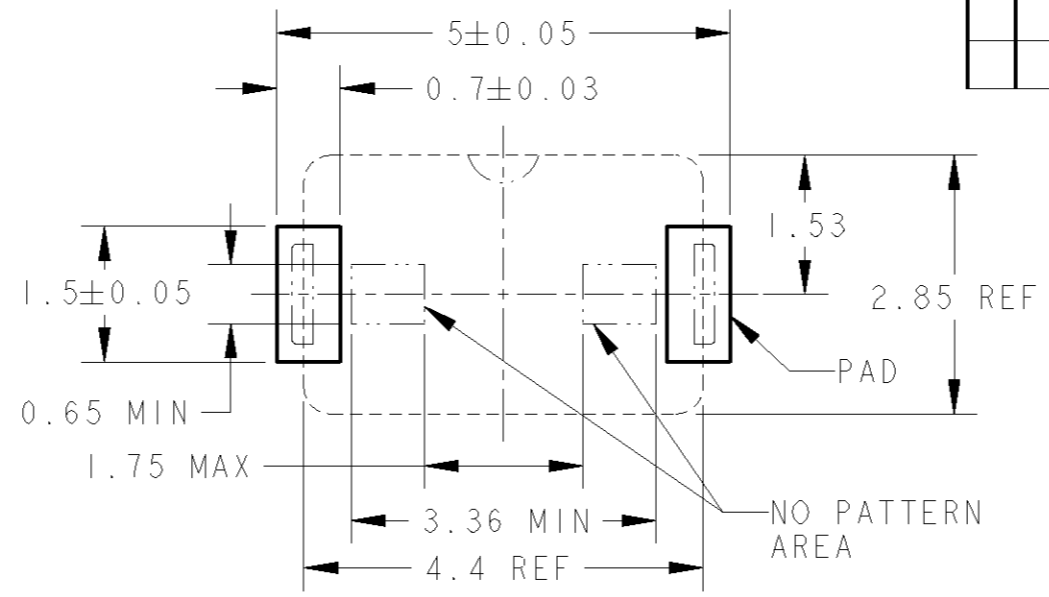
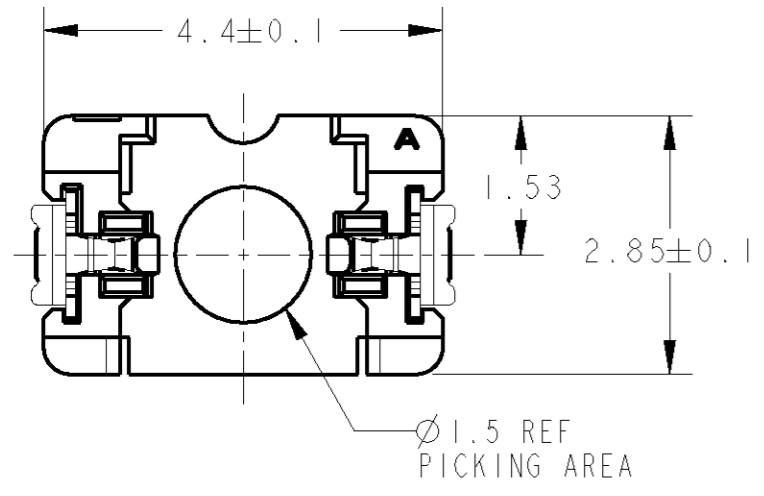
3

2

1

THIS DRAWING IS UNPUBLISHED. RELEASED FOR PUBLICATION 2009
 © COPYRIGHT 2009 BY TYCO ELECTRONICS CORPORATION. ALL RIGHTS RESERVED.

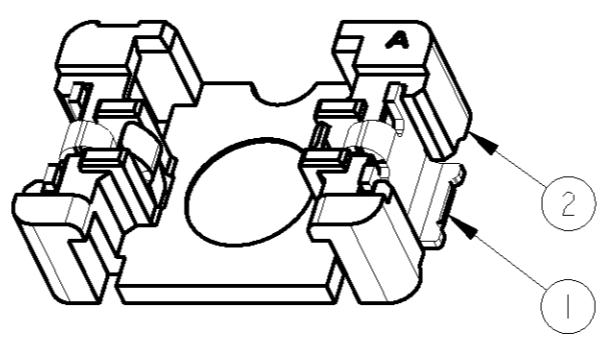
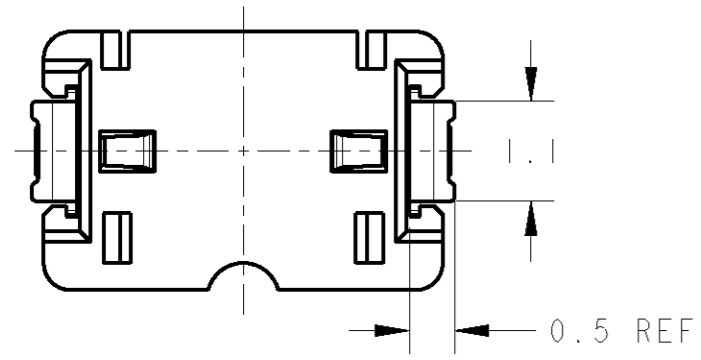
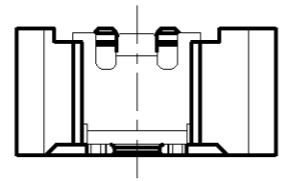
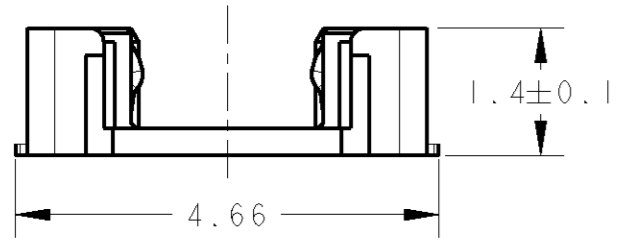
LOC	DIST	REVISIONS			
P	LTR	DESCRIPTION	DATE	DWN	APVD
J	-	A	RELEASED	23APR2009	R.T Y.N



-1:本図
 -1:AS SHOWN

↓ CONNECTED WIRE DRAWS THIS DIRECTION

REFERENCE PC BOARD LAYOUT
 TOP VIEW, SCALE 12:1



- NOTE
1. MATERIAL AND FINISH: SEE TABLE
 2. COPLANARITY: 0.10 MAX, BASED ON THE FLOATING TERMINAL FROM FLAT SURFACE.
 3. RECOMMENDED THICKNESS OF METAL MASK FOR SOLDERING: 0.100mm MIN. ALSO ADD RECOMMEND THAT HOLE-DIMENSION ON MASK MEETS 100% TO REFERENCE PC BOARD LAYOUT.

MATERIAL, FINISH	DESCRIPTION	ITEM
THERMO PLASTIC (LCP), HALOGEN FREE MATERIAL	HOUSING	②
PBR, ALL SURFACE: Ni UNDER PLATING, 1.3µm MIN CONTACT AREA: Au PLATING, 0.3µm MIN SOLDERING AREA: Au FLASH PLATING, 0.05 TO 0.2µm	CONTACT	①

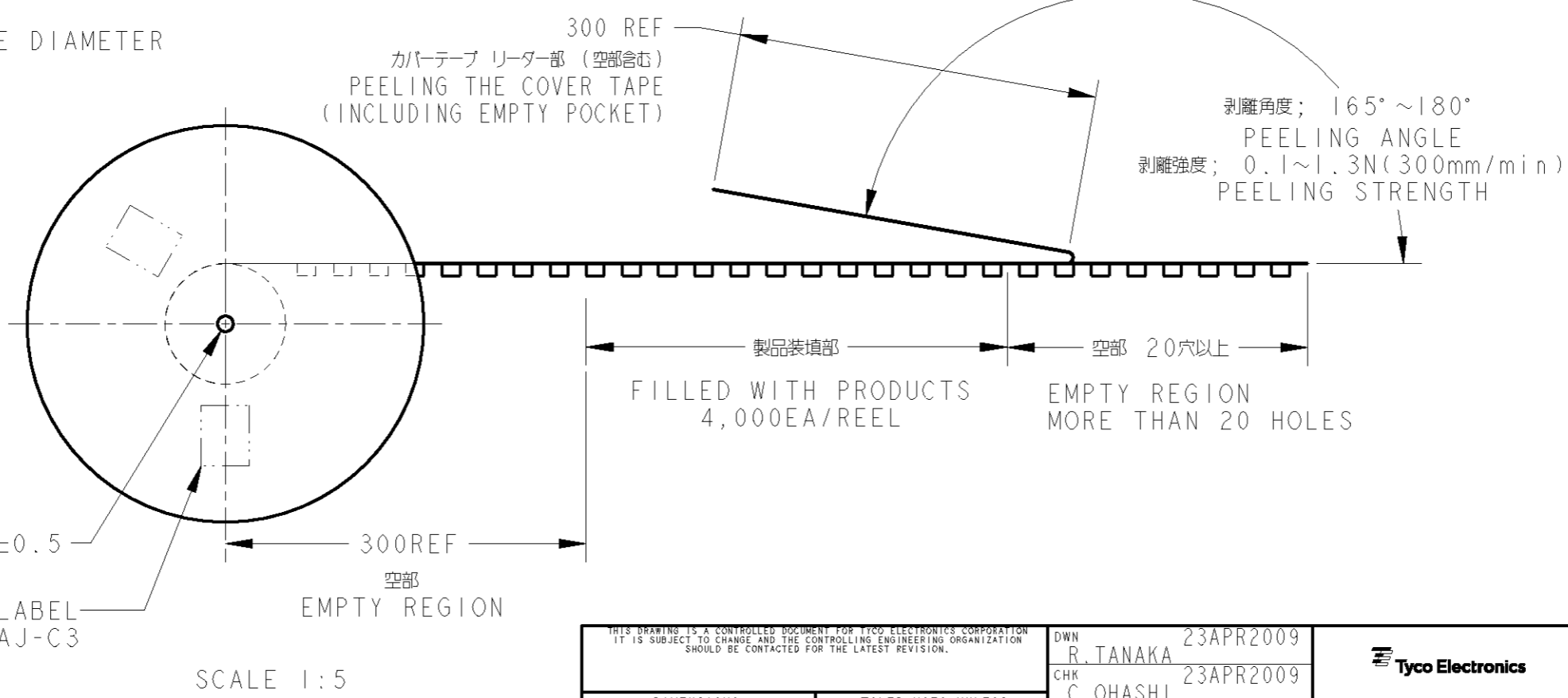
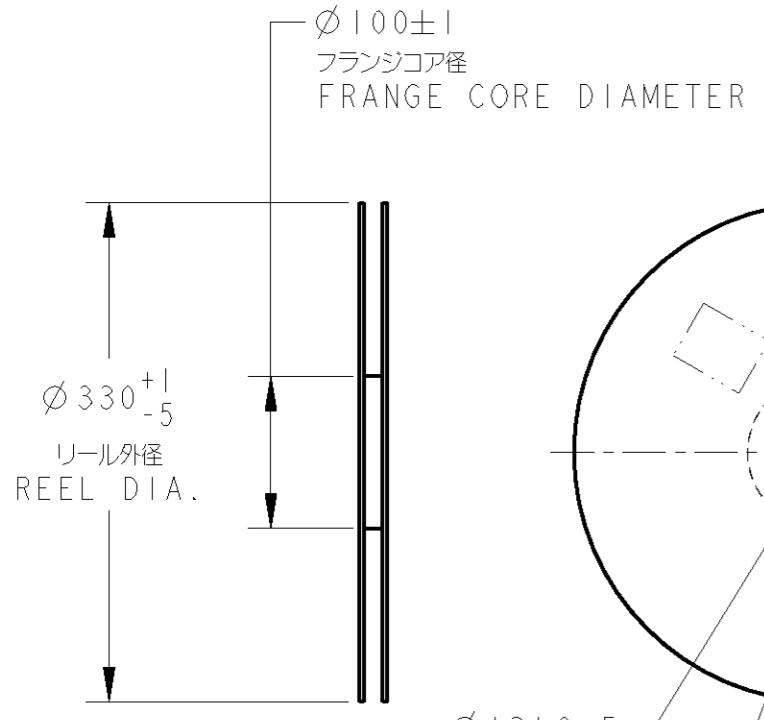
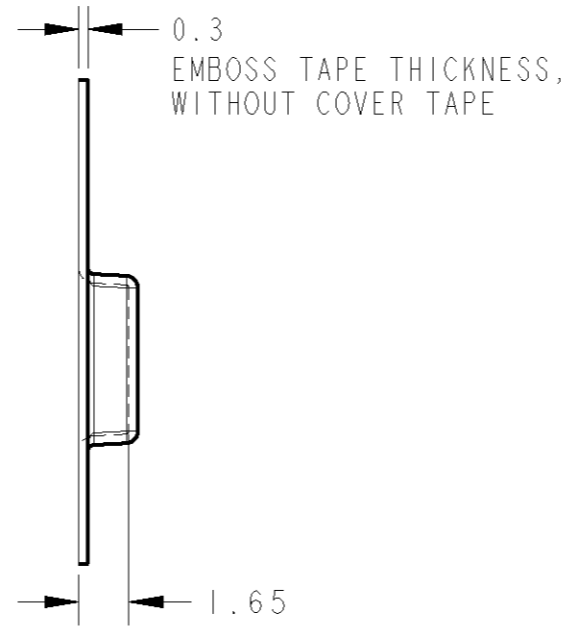
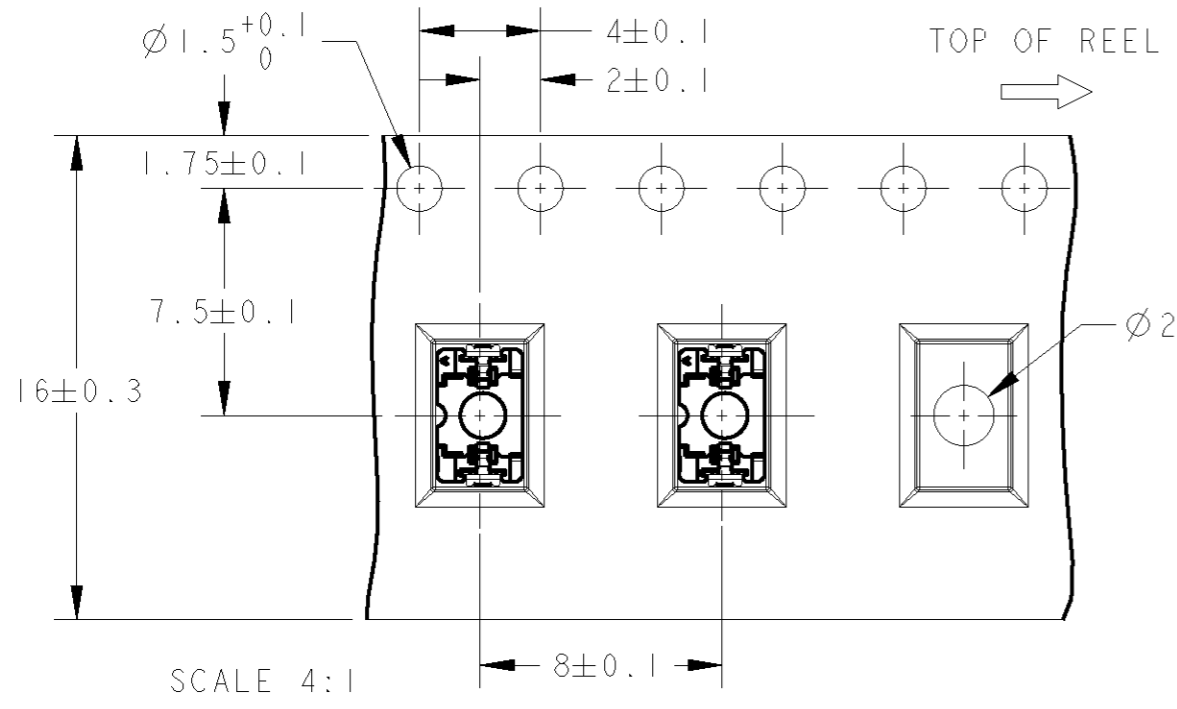
NOTICE:
 THIS DRAWING INCLUDES TYCO ELECTRONICS CONFIDENTIAL OR PROPRIETARY INFORMATION THAT MAY ALSO BE LEGALLY PRIVILEGED.

DIMENSIONS: mm		TOLERANCES UNLESS OTHERWISE SPECIFIED:	
0 PLC	±0.2	1 PLC	±0.15
2 PLC	±0.1	3 PLC	±0.1
4 PLC	±0.1	ANGLES	±5
MATERIAL	SEE TABLE	FINISH	SEE TABLE

DWN R. TANAKA 23APR2009	CHK C. OHASHI 23APR2009	APVD Y. NAKAZAWA 23APR2009	Tyco Electronics Tyco Electronics AMP K.K. Kawasaki, Japan	
PRODUCT SPEC 108-78466		NAME MICRO SLP CONNECTOR 0.8mm PITCH BOARD CONNECTOR ACTIVE LOCK TYPE		
APPLICATION SPEC 114-5426		SIZE A3	CAGE CODE 00779	DRAWING NO C=1554199
WEIGHT 0.018g		RESTRICTED TO -		
CUSTOMER DRAWING		SCALE 12:1	SHEET 1	OF 2
		REV A		

THIS DRAWING IS UNPUBLISHED. RELEASED FOR PUBLICATION 2009
 © COPYRIGHT 2009 BY TYCO ELECTRONICS CORPORATION. ALL RIGHTS RESERVED.

LOC	DIST	REVISIONS			
P	LTR	DESCRIPTION	DATE	DWN	APVD
J	-	SEE SHEET 1	-	-	-



PACKAGE LABEL
BASED ON EIAJ-C3

NOTICE:
THIS DRAWING INCLUDES TYCO ELECTRONICS CONFIDENTIAL OR
PROPRIETARY INFORMATION THAT MAY ALSO BE LEGALLY PRIVILEGED.

<small>THIS DRAWING IS A CONTROLLED DOCUMENT FOR TYCO ELECTRONICS CORPORATION IT IS SUBJECT TO CHANGE AND THE CONTROLLING ENGINEERING ORGANIZATION SHOULD BE CONTACTED FOR THE LATEST REVISION.</small>		DWN R.TANAKA 23APR2009 CHK C.OHASHI 23APR2009 APVD Y.NAKAZAWA 23APR2009		Tyco Electronics AMP K.K. Kawasaki, Japan	
DIMENSIONS: mm		TOLERANCES UNLESS OTHERWISE SPECIFIED: 0 PLC ±0.2 1 PLC ±0.15 2 PLC ±0.1 3 PLC ±0.1 4 PLC ±0.1 ANGLES ±5		NAME MICRO SLP CONNECTOR 0.8mm PITCH BOARD CONNECTOR ACTIVE LOCK TYPE	
MATERIAL -		FINISH -		SIZE A3 CAGE CODE 00779 DRAWING NO. C=1554199 RESTRICTED TO -	
CUSTOMER DRAWING		SCALE 4:1		SHEET 2 OF 2 REV A	